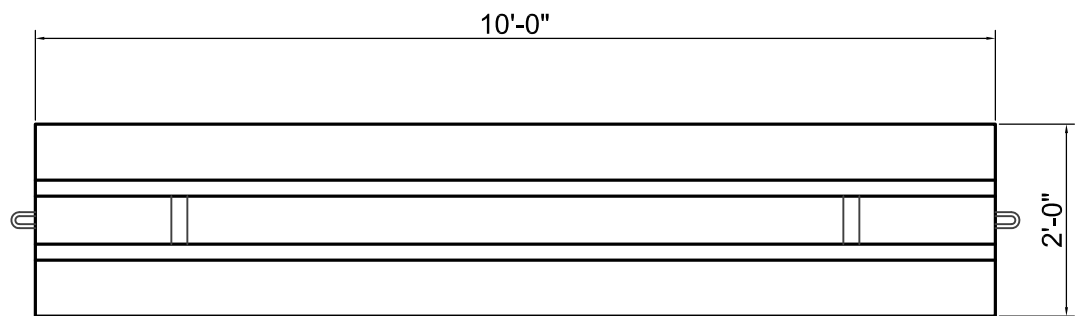
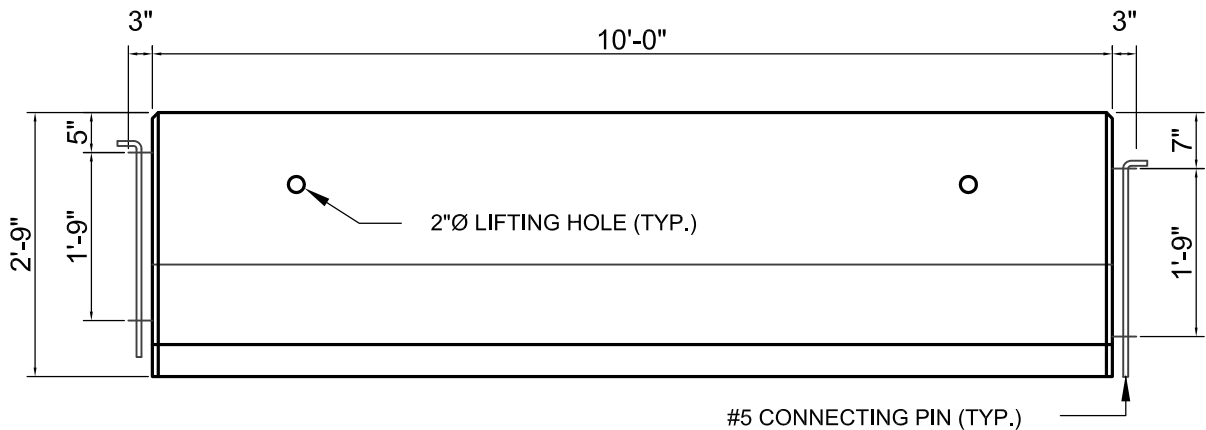


DURASTONE

PRECAST MEDIAN BARRIER FOR TEMPORARY TRAFFIC CONTROL



PLAN



ELEVATION

APPROX. WEIGHT: 4,200 LBS

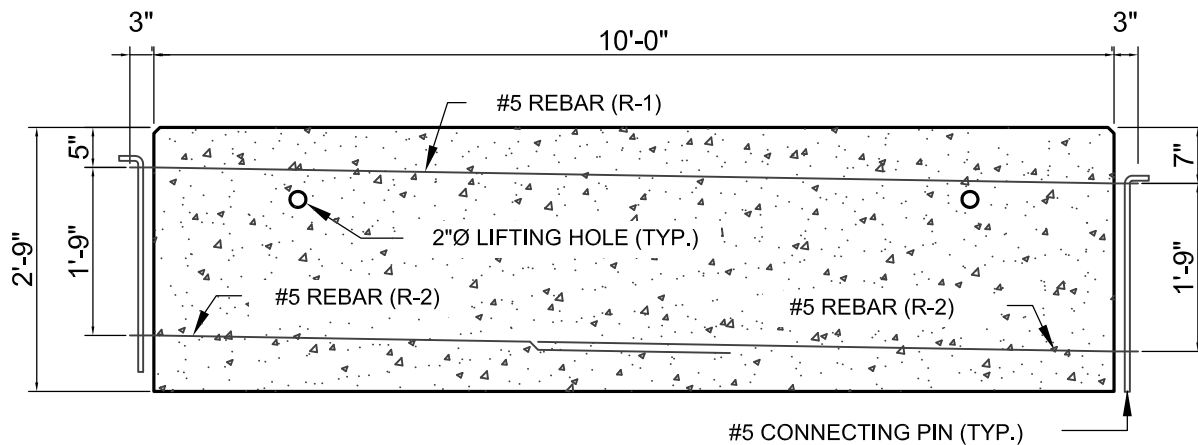
150 HIGGINSON AVENUE - LINCOLN, RI 02865 - Phone (401) 723-7100 - Fax (401) 723-6866

NPCA
CERTIFIED PLANT

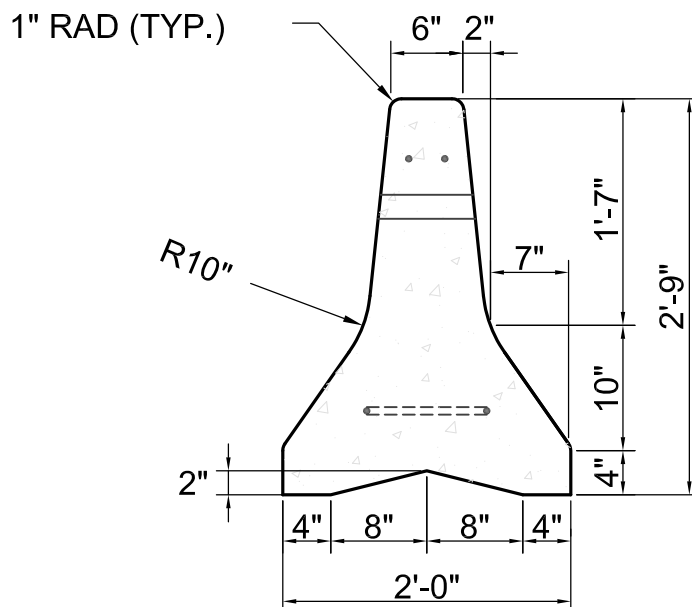
DURASTONE

150 HIGGINSON AVENUE - LINCOLN, RI 02865 - Phone (401) 723-7100 - Fax (401) 723-6866

PRECAST MEDIAN BARRIER FOR TEMPORARY TRAFFIC CONTROL



LONGITUDINAL SECTION



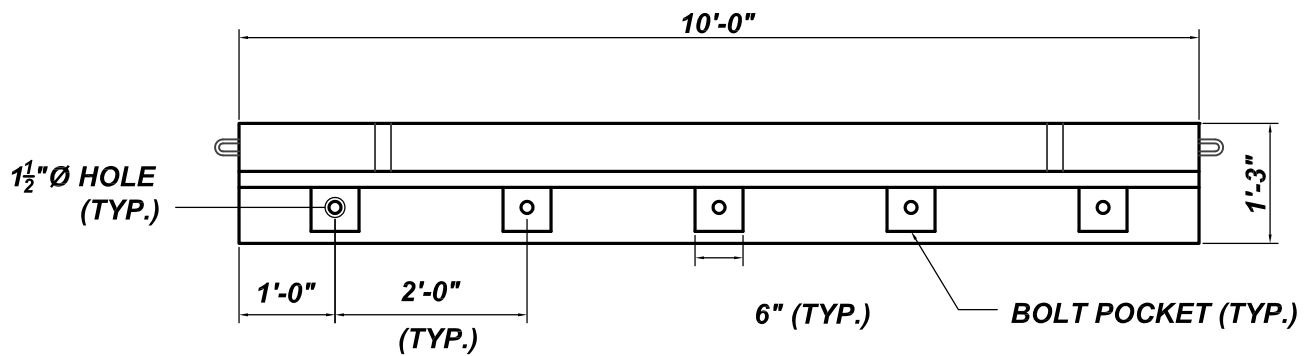
TRANSVERSE SECTION

STANDARD SPECIFICATIONS

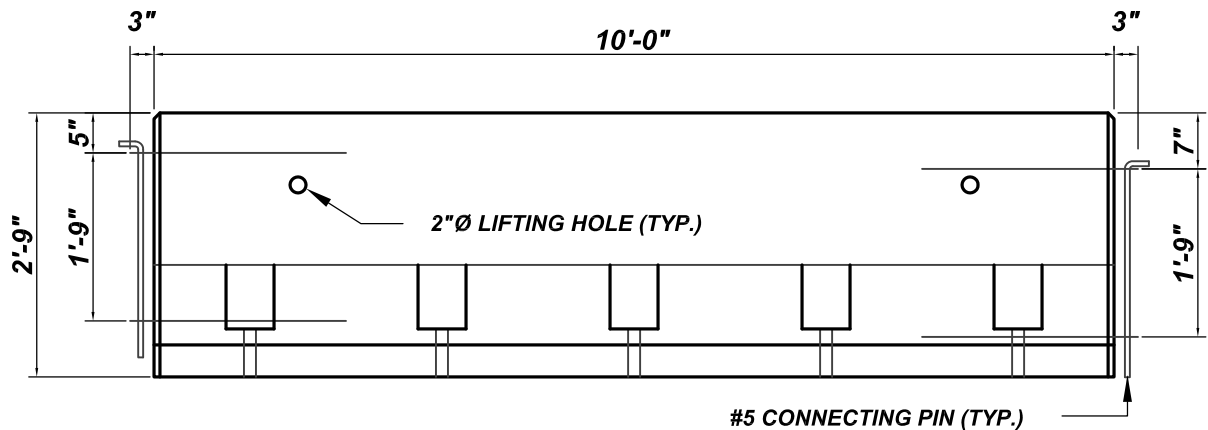
1. 10'-0" STANDARD SEGMENT LENGTH.
2. 4,000 PSI PORTLAND CEMENT CONCRETE MIX.
3. CONFORMS TO RI STANDARD 40.5.0.

DURASTONE

PRECAST BARRIER FOR TEMPORARY TRAFFIC CONTROL



PLAN



ELEVATION

APPROX. WEIGHT: 3,300 LBS

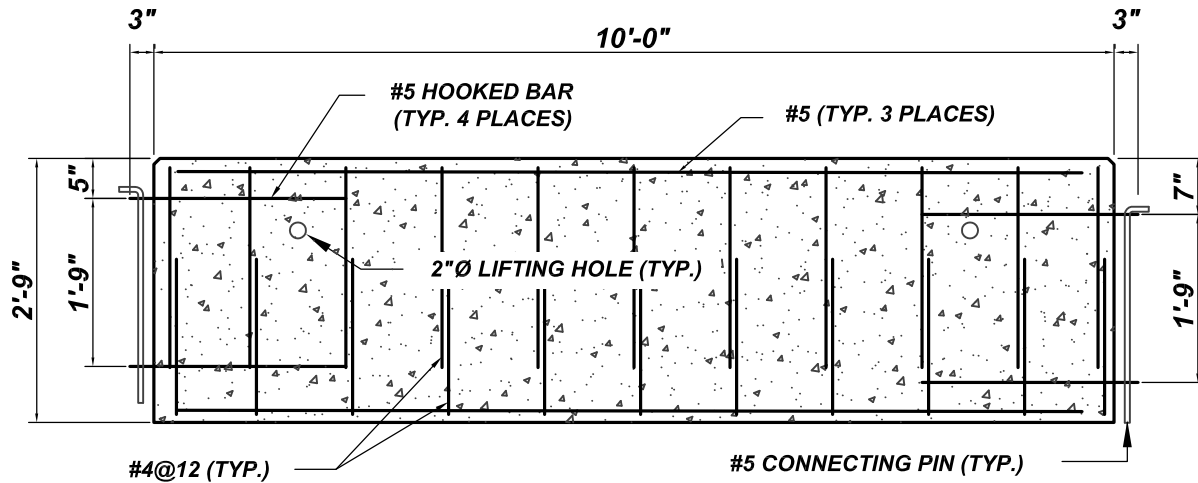
150 HIGGINSON AVENUE - LINCOLN, RI 02865 - Phone (401) 723-7100 - Fax (401) 723-6866

NPCA
CERTIFIED PLANT

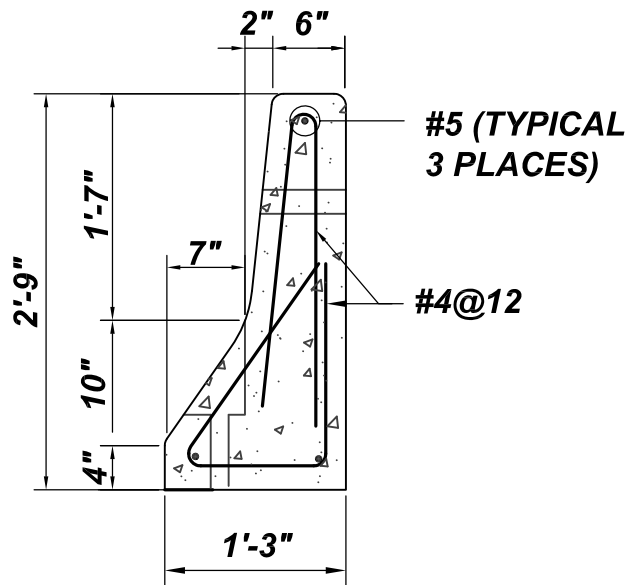
DURASTONE

150 HIGGINSON AVENUE - LINCOLN, RI 02865 - Phone (401) 723-7100 - Fax (401) 723-6866

PRECAST BARRIER FOR TEMPORARY TRAFFIC CONTROL



LONGITUDINAL SECTION



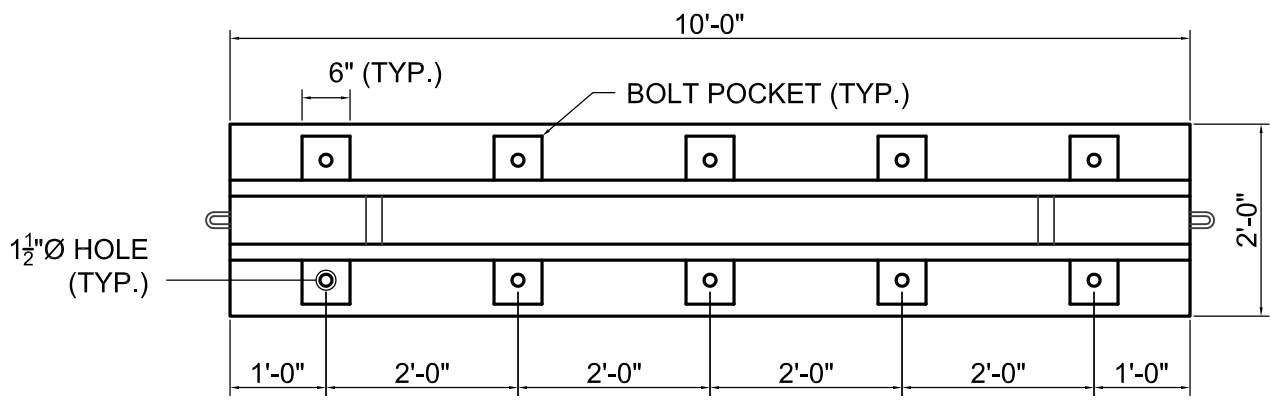
TRANSVERSE SECTION

STANDARD SPECIFICATIONS

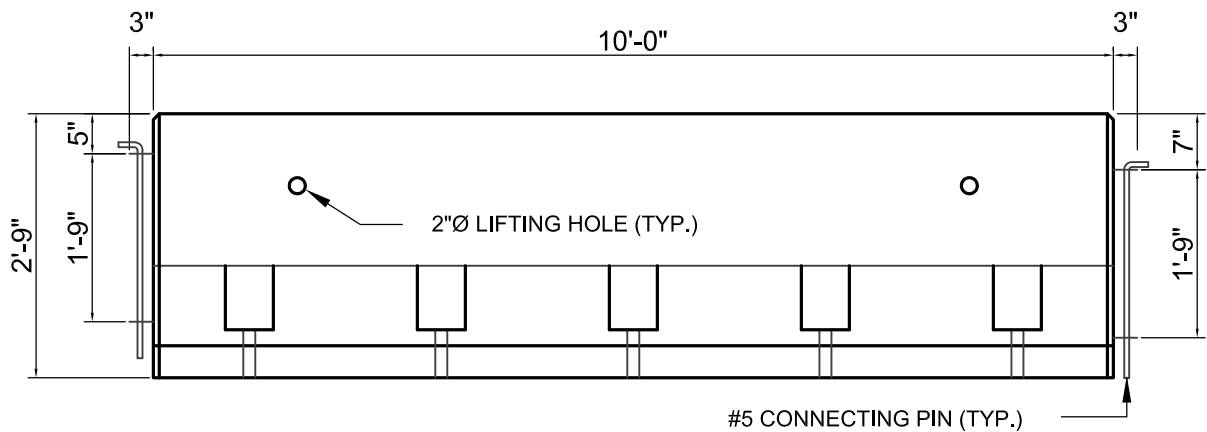
1. 10'-0" STANDARD SEGMENT LENGTH.
2. 4,000 PSI PORTLAND CEMENT CONCRETE MIX.
3. CONFORMS TO RI STANDARD 40.5.0M.

DURASTONE

PRECAST MEDIAN BARRIER FOR TEMPORARY TRAFFIC CONTROL



PLAN



ELEVATION

APPROX. WEIGHT: 4,100 LBS

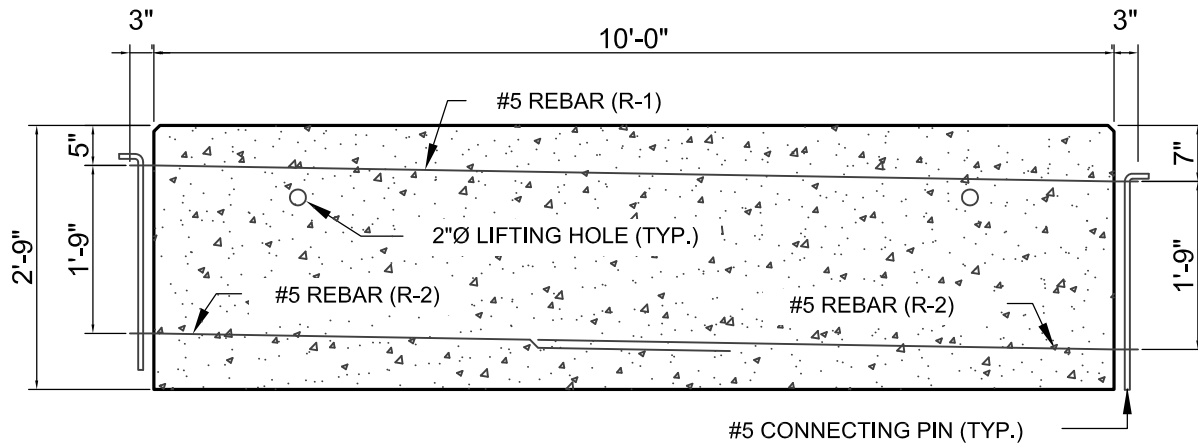
150 HIGGINSON AVENUE - LINCOLN, RI 02865 - Phone (401) 723-7100 - Fax (401) 723-6866

NPCA
CERTIFIED PLANT

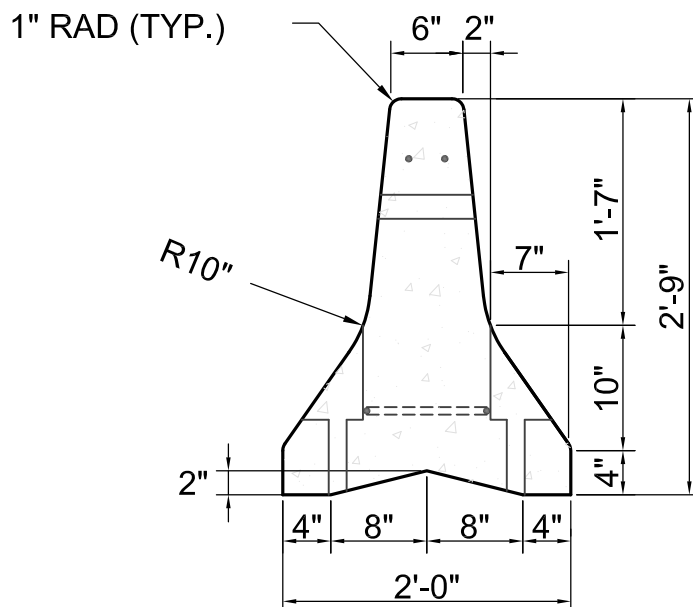
DURASTONE

150 HIGGINSON AVENUE - LINCOLN, RI 02865 - Phone (401) 723-7100 - Fax (401) 723-6866

PRECAST MEDIAN BARRIER FOR TEMPORARY TRAFFIC CONTROL



LONGITUDINAL SECTION



TRANSVERSE SECTION

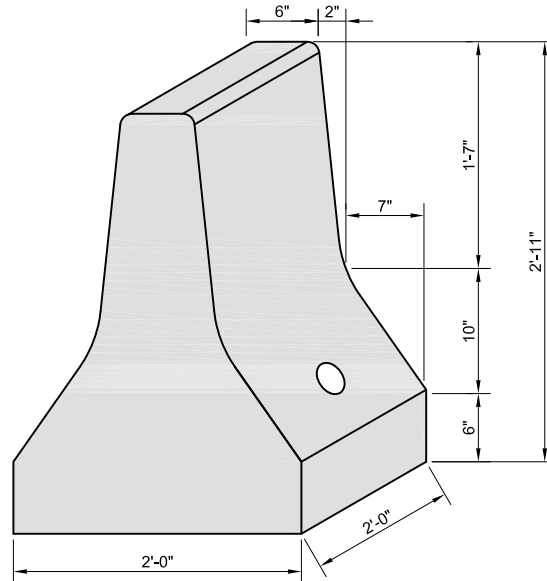
STANDARD SPECIFICATIONS

1. 10'-0" STANDARD SEGMENT LENGTH.
2. 4,000 PSI PORTLAND CEMENT CONCRETE MIX.
3. CONFORMS TO RI STANDARD 40.5.0M.

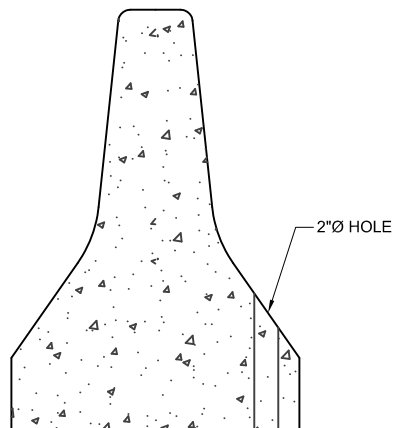
DURASTONE

150 HIGGINSON AVENUE - LINCOLN, RI 02865 - Phone (401) 723-7100 - Fax (401) 723-6866

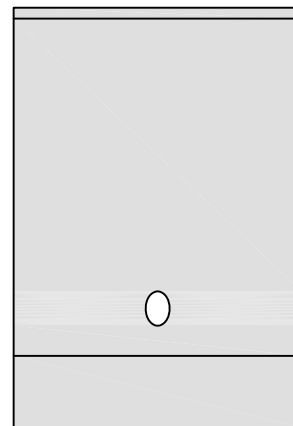
2ft Length Barrier



ISOMETRIC



SECTION



ELEVATION

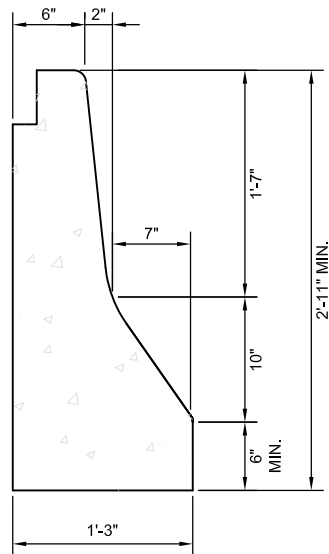
STANDARD SPECIFICATIONS

1. 2'-0" STANDARD SEGMENT LENGTH.
2. 4,000 PSI PORTLAND CEMENT CONCRETE MIX.

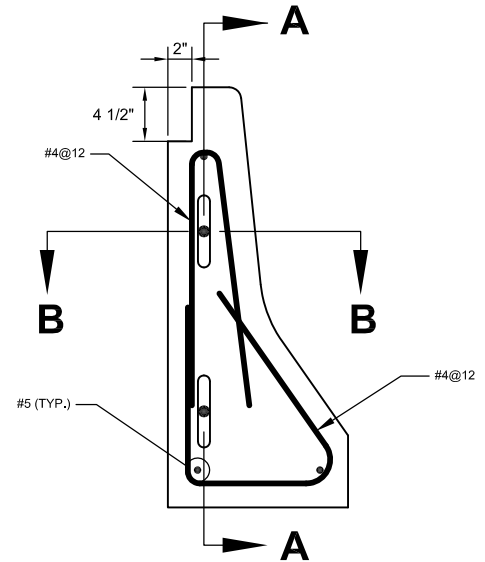
DURASTONE

150 HIGGINSON AVENUE - LINCOLN, RI 02865 - Phone (401) 723-7100 - Fax (401) 723-6866

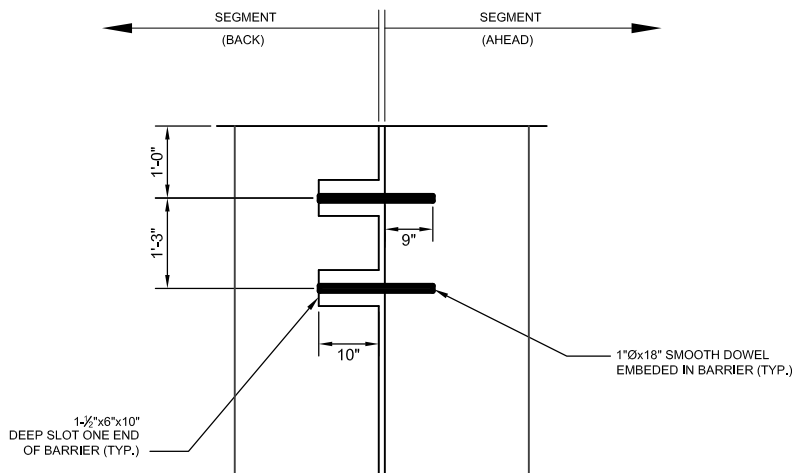
SINGLE-FACED MEDIAN BARRIER



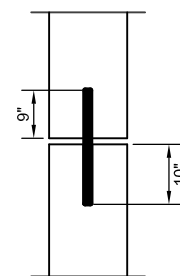
GEOMETRY



REINFORCEMENT



SECTION A-A



SECTION B-B

STANDARD SPECIFICATIONS

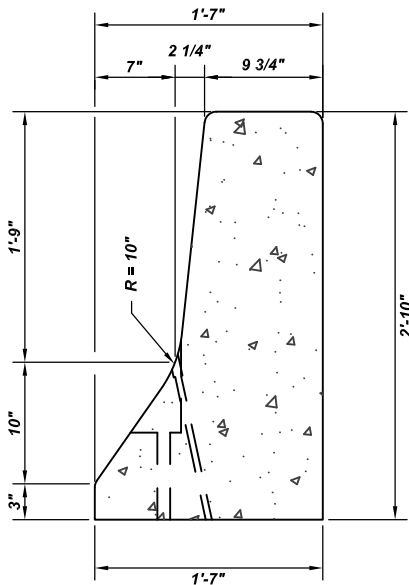
1. 10'-0" OR 20'-0" STANDARD SEGMENT LENGTHS.
2. 4,000 PSI PORTLAND CEMENT CONCRETE MIX.
3. CONFORMS TO RI STANDARD 40.2.1.

NPCA
CERTIFIED PLANT

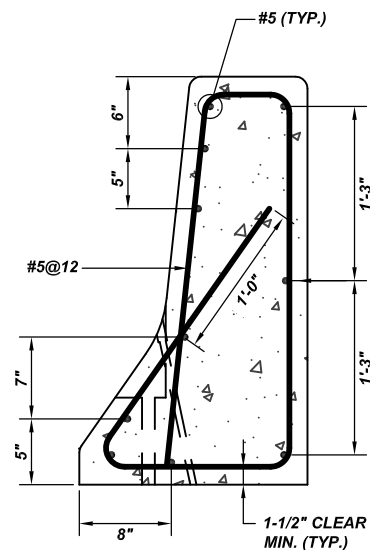
DURASTONE

150 HIGGINSON AVENUE - LINCOLN, RI 02865 - Phone (401) 723-7100 - Fax (401) 723-6866

TL-4 BARRIER



GEOMETRY



REINFORCEMENT

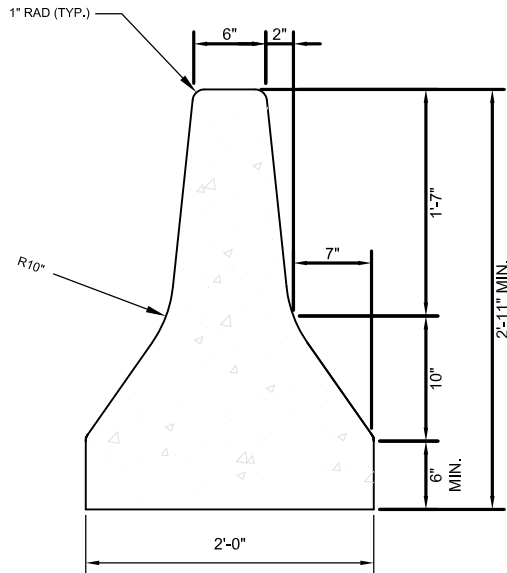
STANDARD SPECIFICATIONS

1. SEGMENT LENGTHS UP TO 20'-0".
2. SMOOTH STEEL FORM FINISH ON EXPOSED SURFACES.
3. 1-1/2" MINIMUM COVER TO REINFORCEMENT.
4. ALL REINFORCEMENT EPOXY COATED.
5. 5,000 PSI CONCRETE MIX WITH CALCIUM NITRATE CORROSION INHIBITOR.
6. STANDARD 2' SPACING OF BOLT RECESSES.
7. STANDARD 4' SPACING OF GROUT PORTS.

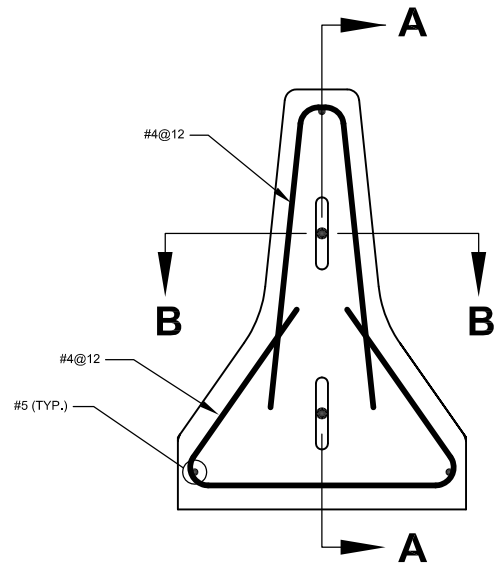
DURASTONE

150 HIGGINSON AVENUE - LINCOLN, RI 02865 - Phone (401) 723-7100 - Fax (401) 723-6866

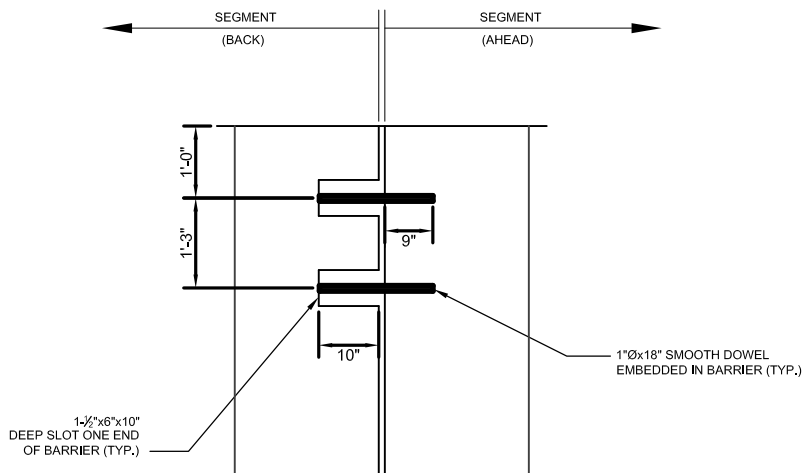
DOUBLE-FACED MEDIAN BARRIER



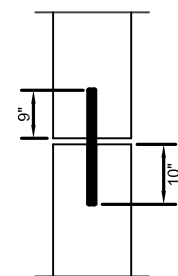
GEOMETRY



REINFORCEMENT



SECTION A-A



SECTION B-B

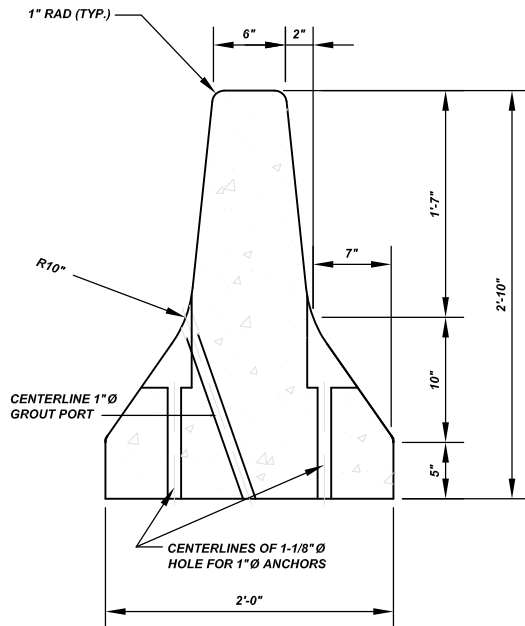
STANDARD SPECIFICATIONS

1. 10'-0" OR 20'-0" STANDARD SEGMENT LENGTHS.
2. 4,000 PSI PORTLAND CEMENT CONCRETE MIX.
3. CONFORMS TO RI STANDARD 40.1.0.

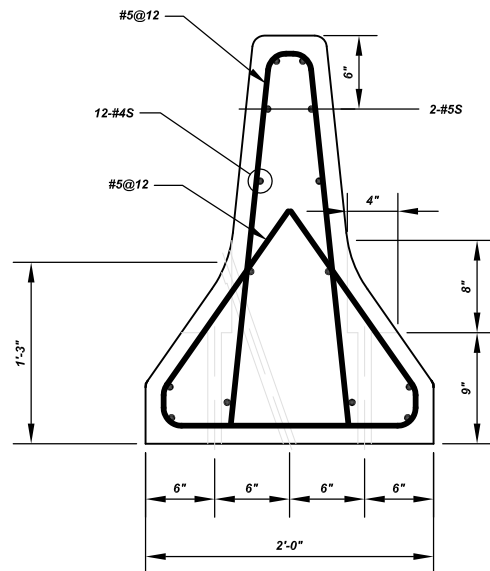
DURASTONE

150 HIGGINSON AVENUE - LINCOLN, RI 02865 - Phone (401) 723-7100 - Fax (401) 723-6866

F SHAPE BARRIER



GEOMETRY



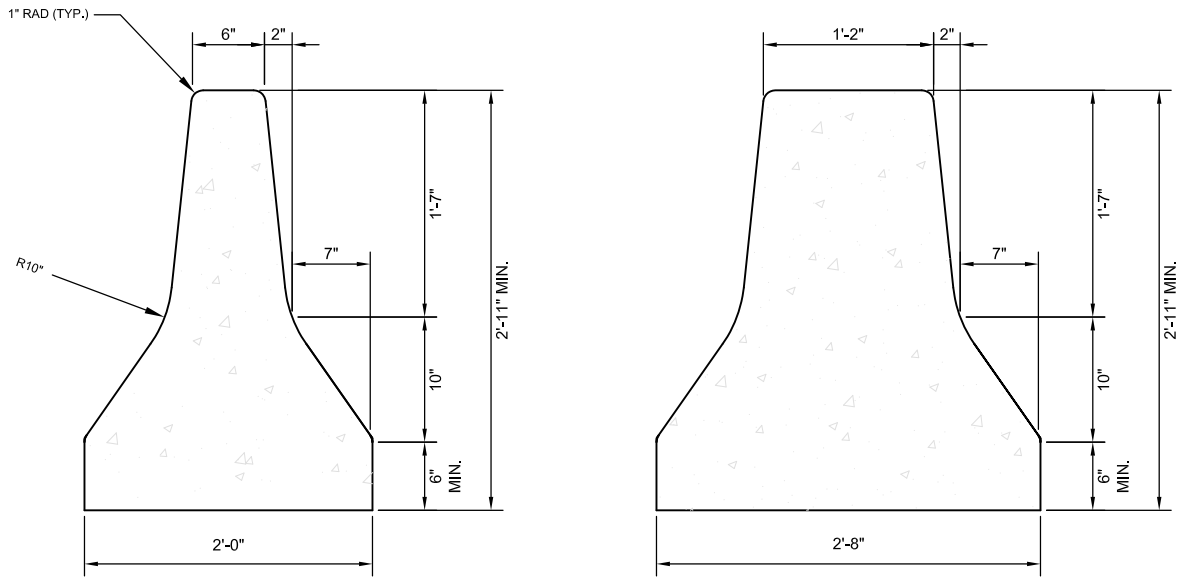
REINFORCEMENT

STANDARD SPECIFICATIONS

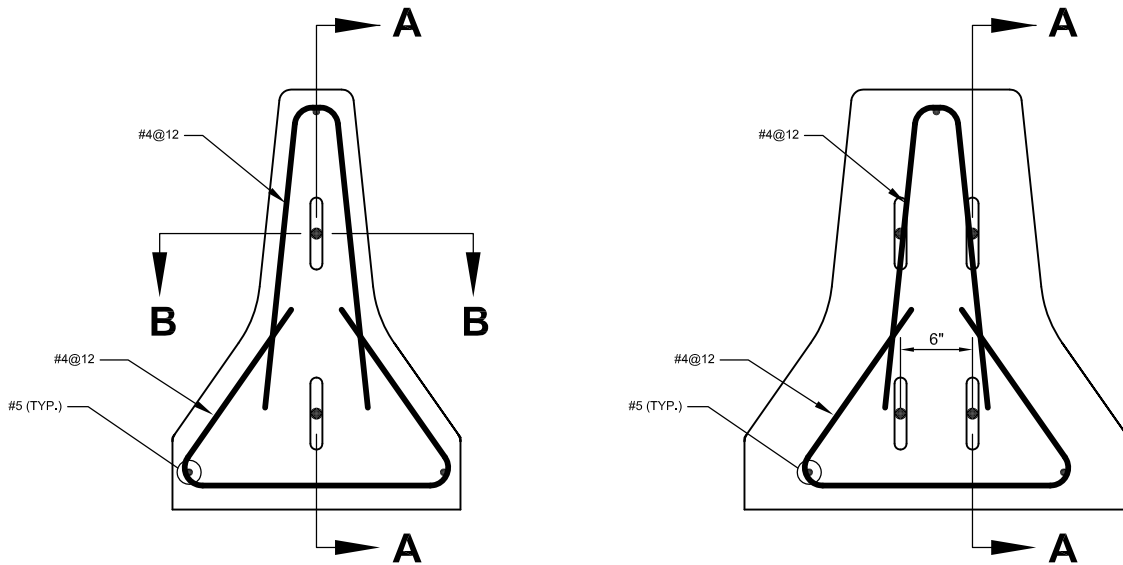
1. SEGMENT LENGTHS UP TO 20'-0".
2. SMOOTH STEEL FORM FINISH ON EXPOSED SURFACES.
3. 1-1/2" MINIMUM COVER TO REINFORCEMENT.
4. ALL REINFORCEMENT EPOXY COATED.
5. 5,000 PSI CONCRETE MIX WITH CALCIUM NITRATE CORROSION INHIBITOR.
6. BOLTED DOWN APPLICATION ONLY.

DURASTONE

MEDIAN BARRIER TRANSITION UNIT



GEOMETRY



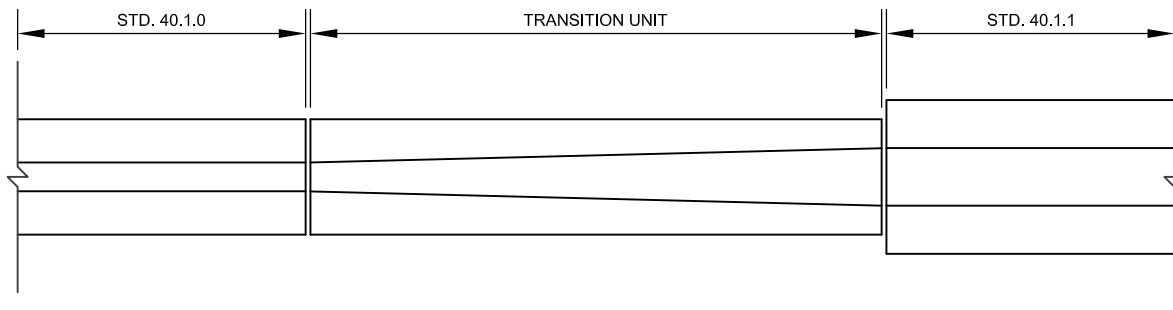
REINFORCEMENT

150 HIGGINSON AVENUE - LINCOLN, RI 02865 - Phone (401) 723-7100 - Fax (401) 723-6866

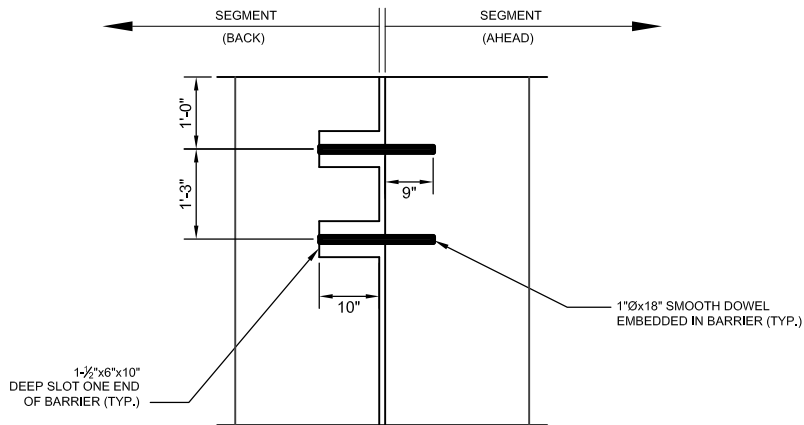
DURASTONE

150 HIGGINSON AVENUE - LINCOLN, RI 02865 - Phone (401) 723-7100 - Fax (401) 723-6866

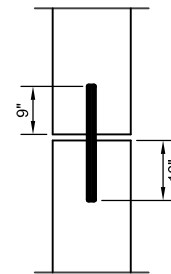
MEDIAN BARRIER TRANSITION UNIT



PLAN



SECTION A-A



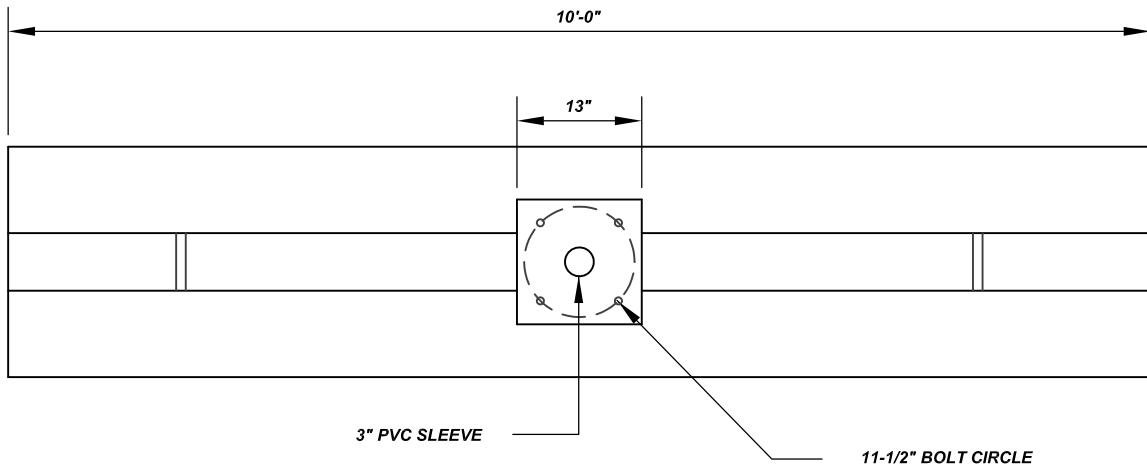
SECTION B-B

STANDARD SPECIFICATIONS

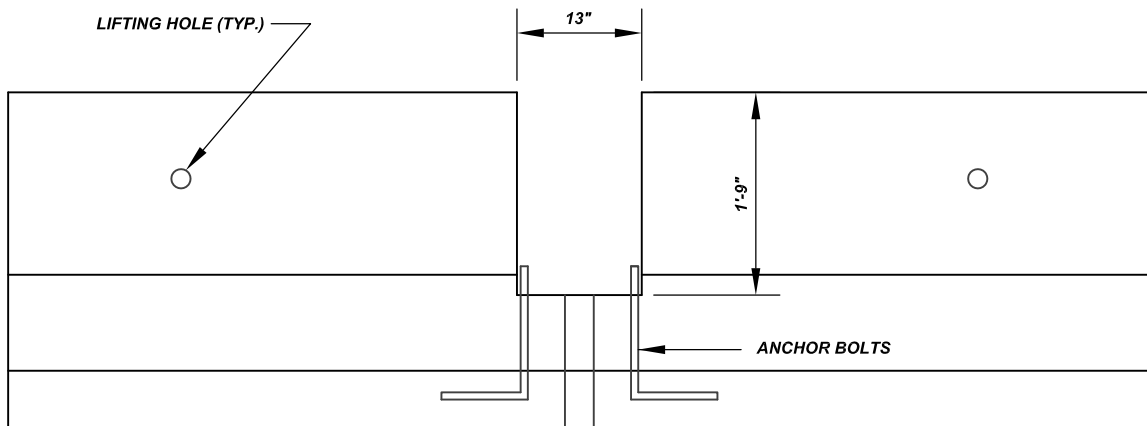
1. 10'-0" STANDARD SEGMENT LENGTH.
2. 4,000 PSI PORTLAND CEMENT CONCRETE MIX.
3. CONFORMS TO RI STANDARD 40.3.0.

DURASTONE

MEDIAN BARRIER FOR LIGHT STANDARD



PLAN



ELEVATION

