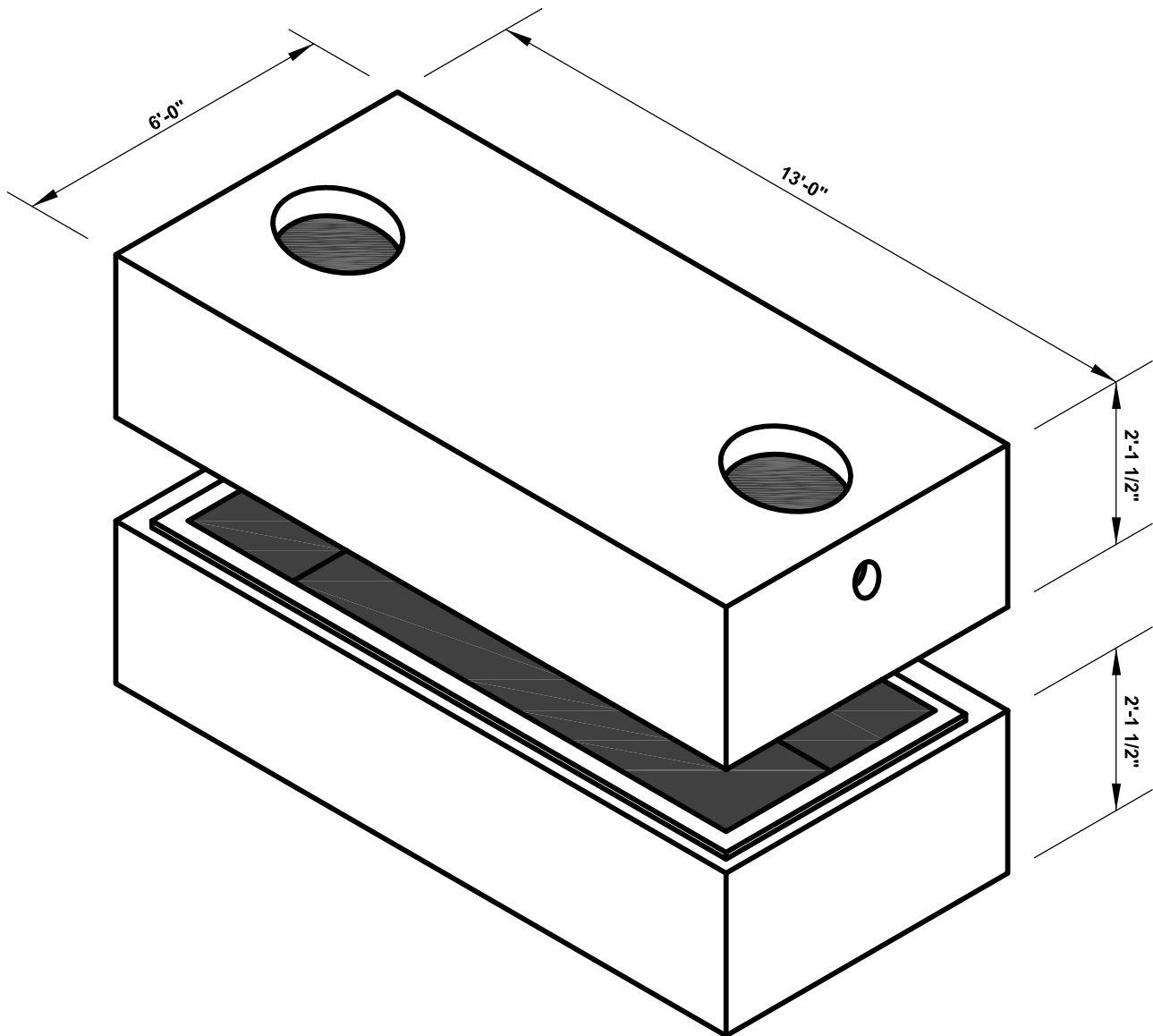


# DURASTONE

## 1,000 GALLON SEPTIC TANK INTERIOR DIMENSIONS 12'X5'X3'-3"



**APPROX. WEIGHTS:**

**TOP: 9,800 LB**

**BASE: 10,300 LB**

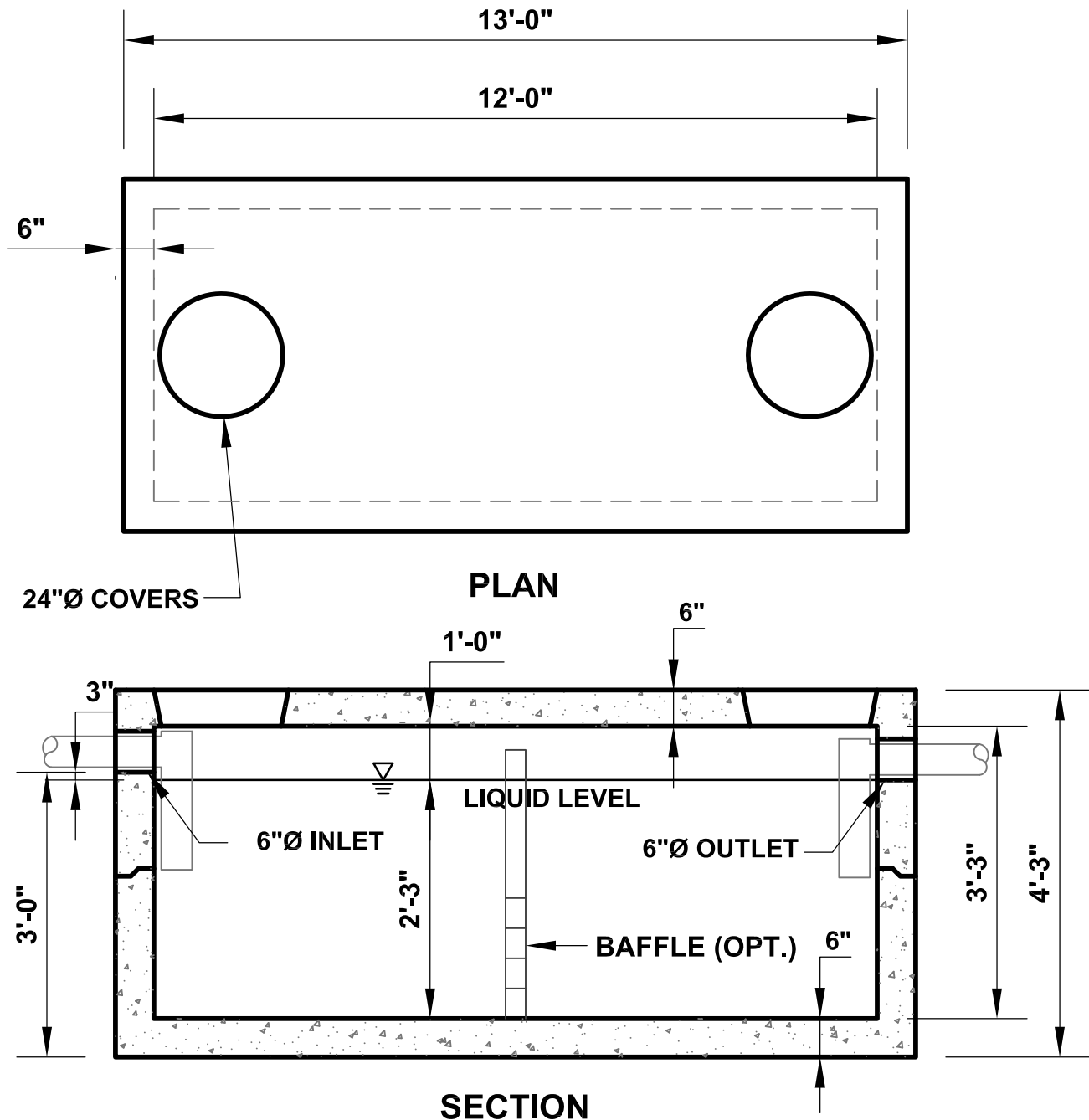
150 HIGGINSON AVENUE - LINCOLN, RI 02865 - Phone (401) 723-7100 - Fax (401) 723-6866

**NPCA**  
CERTIFIED PLANT

# DURASTONE

150 HIGGINSON AVENUE - LINCOLN, RI 02865 - Phone (401) 723-7100 - Fax (401) 723-6866

## 1,000 GALLON SEPTIC TANK

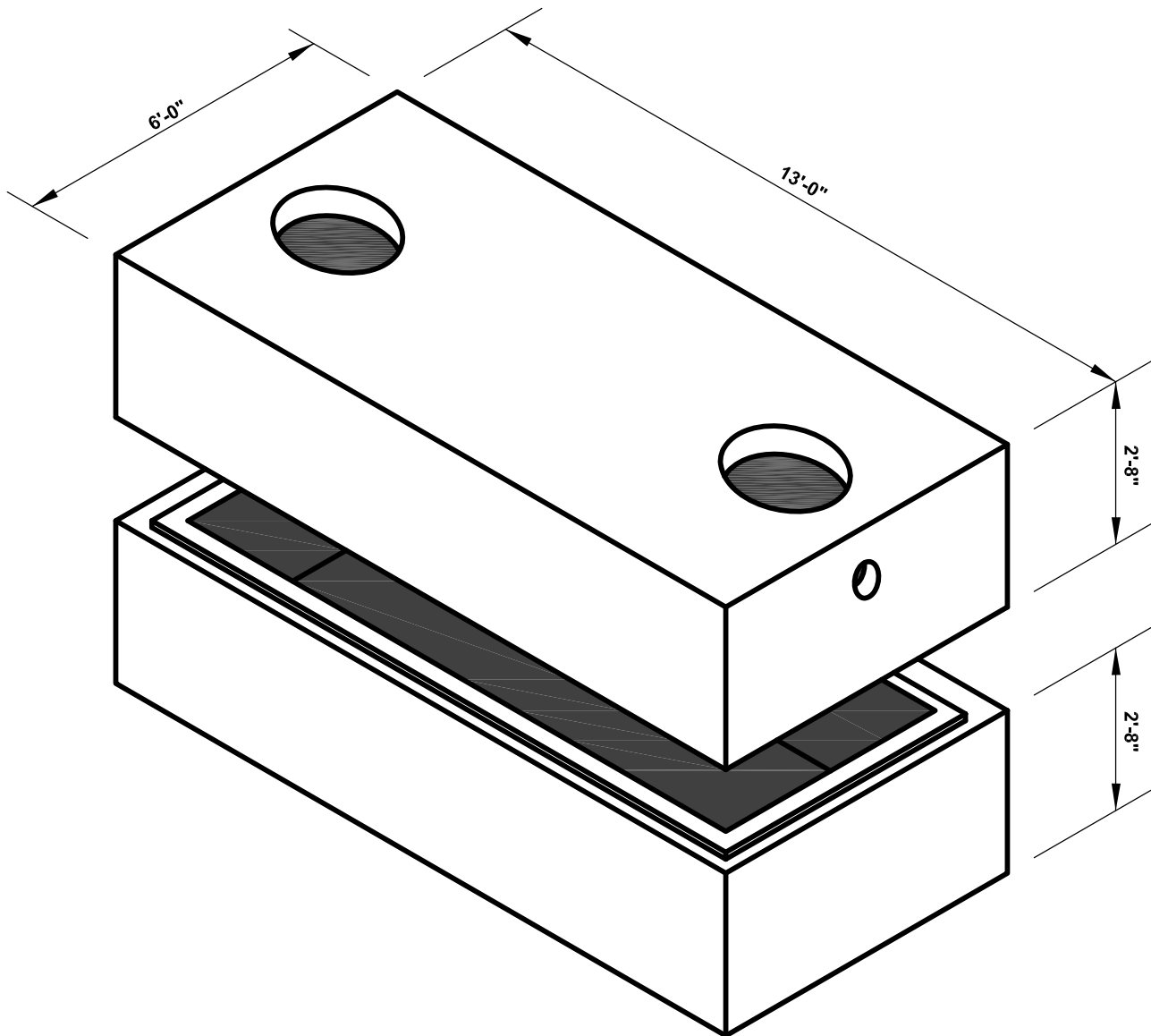


### STANDARD SPECIFICATIONS

1. MINIMUM CONCRETE COMPRESSIVE STRENGTH:  $F'_c = 5,000$  PSI
2. REINFORCEMENT: ASTM A615 GRADE 60, MINIMUM 1" COVER
3. DESIGN & DETAILING CODE: ACI318 (UNLESS OTHERWISE SPECIFIED)
4. AASHTO HS20 LIVE LOAD
5. JOINT SEALANT: 1" BUTYL RUBBER
6. APPURTENANCES: FURNISHED & INSTALLED BY OTHERS

# DURASTONE

## 1,500 GALLON SEPTIC TANK INTERIOR DIMENSIONS 12'X5'X4'-4"



**APPROX. WEIGHTS:**  
**TOP: 10,700 LB**  
**BASE: 11,700 LB**

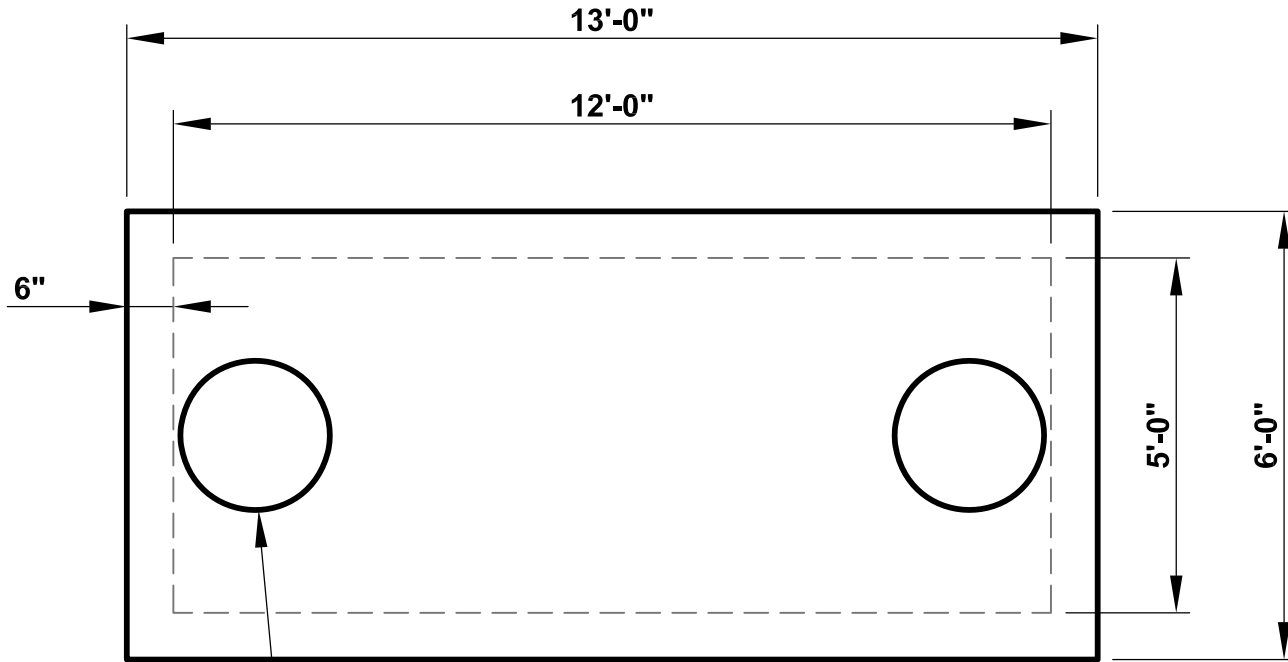
150 HIGGINSON AVENUE - LINCOLN, RI 02865 - Phone (401) 723-7100 - Fax (401) 723-6866

**NPCA**  
CERTIFIED PLANT

# DURASTONE

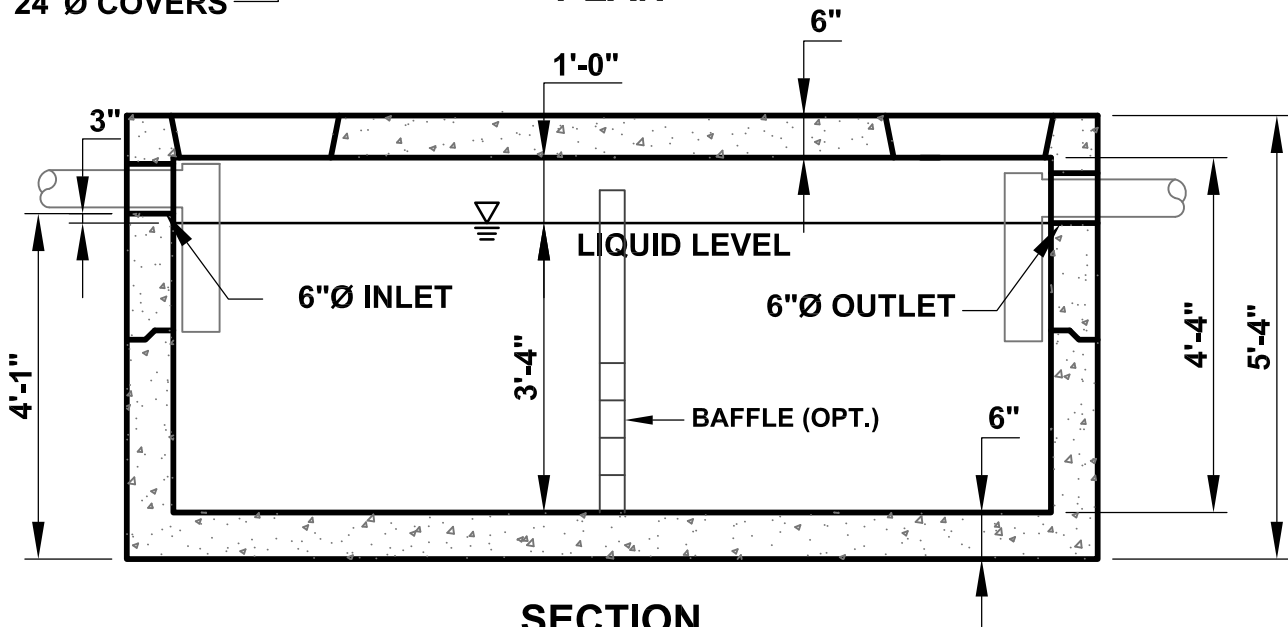
150 HIGGINSON AVENUE - LINCOLN, RI 02865 - Phone (401) 723-7100 - Fax (401) 723-6866

## 1,500 GALLON SEPTIC TANK



24"Ø COVERS

PLAN



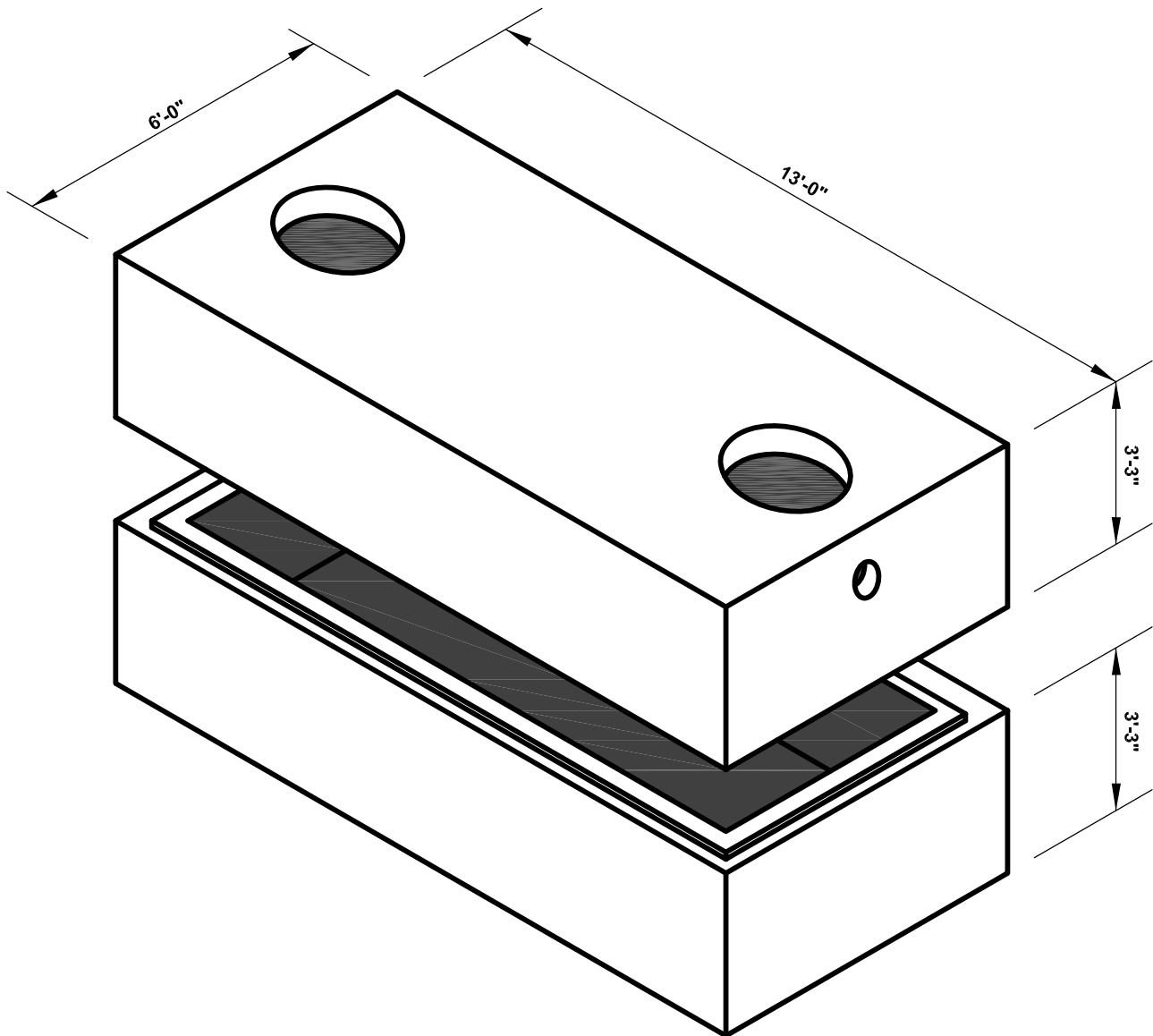
SECTION

### STANDARD SPECIFICATIONS

1. MINIMUM CONCRETE COMPRESSIVE STRENGTH:  $F'_c = 5,000$  PSI
2. REINFORCEMENT: ASTM A615 GRADE 60, MINIMUM 1" COVER
3. DESIGN & DETAILING CODE: ACI318 (UNLESS OTHERWISE SPECIFIED)
4. AASHTO HS20 LIVE LOAD
5. JOINT SEALANT: 1" BUTYL RUBBER
6. APPURTENANCES: FURNISHED & INSTALLED BY OTHERS

# DURASTONE

## 2,000 GALLON SEPTIC TANK INTERIOR DIMENSIONS 12'X5'X5'-6"



**APPROX. WEIGHTS:**  
**TOP: 12,300 LB**  
**BASE: 13,300 LB**

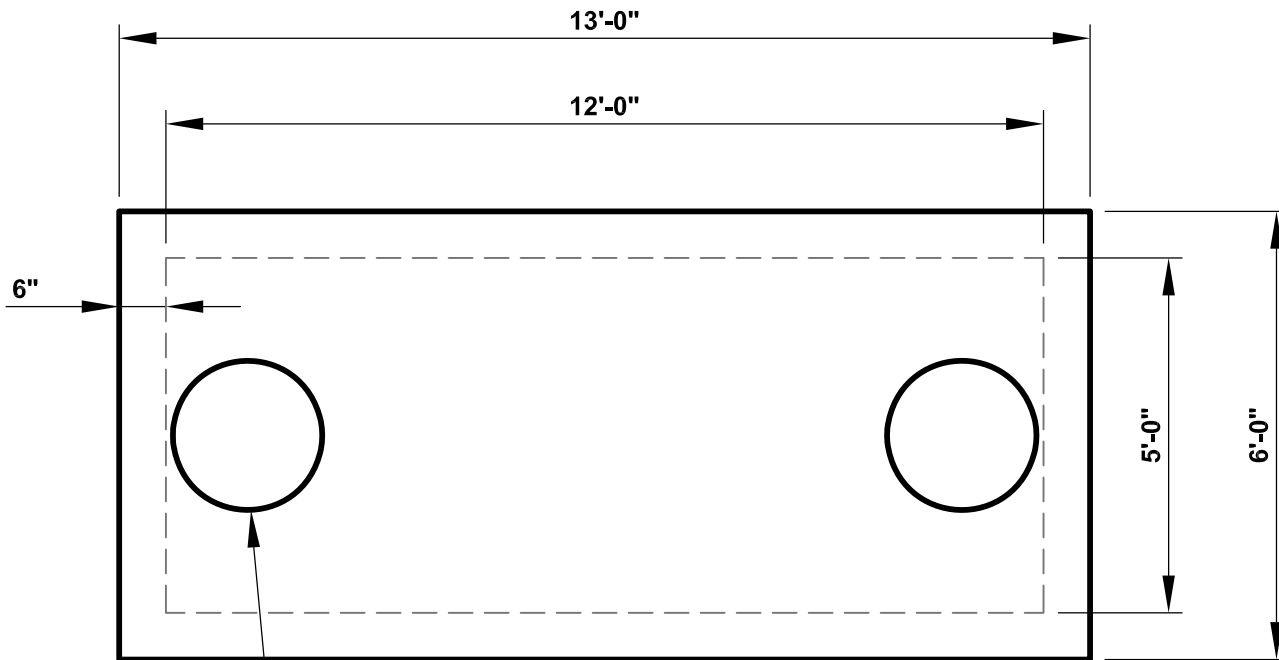
150 HIGGINSON AVENUE - LINCOLN, RI 02865 - Phone (401) 723-7100 - Fax (401) 723-6866

**NPCA**  
CERTIFIED PLANT

# DURASTONE

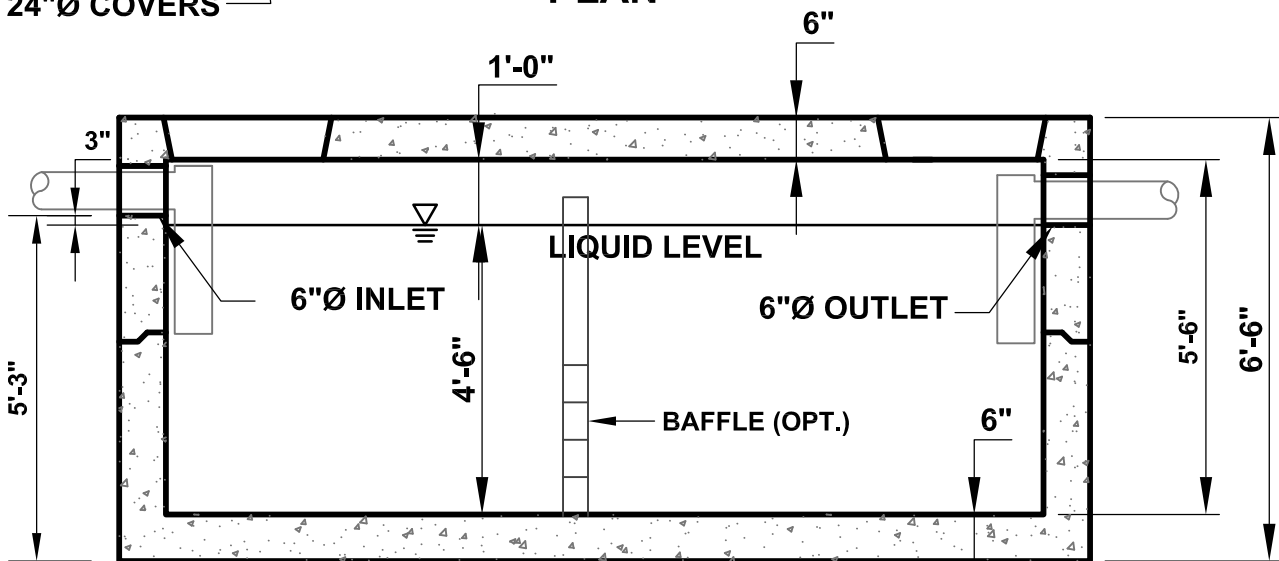
150 HIGGINSON AVENUE - LINCOLN, RI 02865 - Phone (401) 723-7100 - Fax (401) 723-6866

## 2,000 GALLON SEPTIC TANK



24"Ø COVERS

PLAN



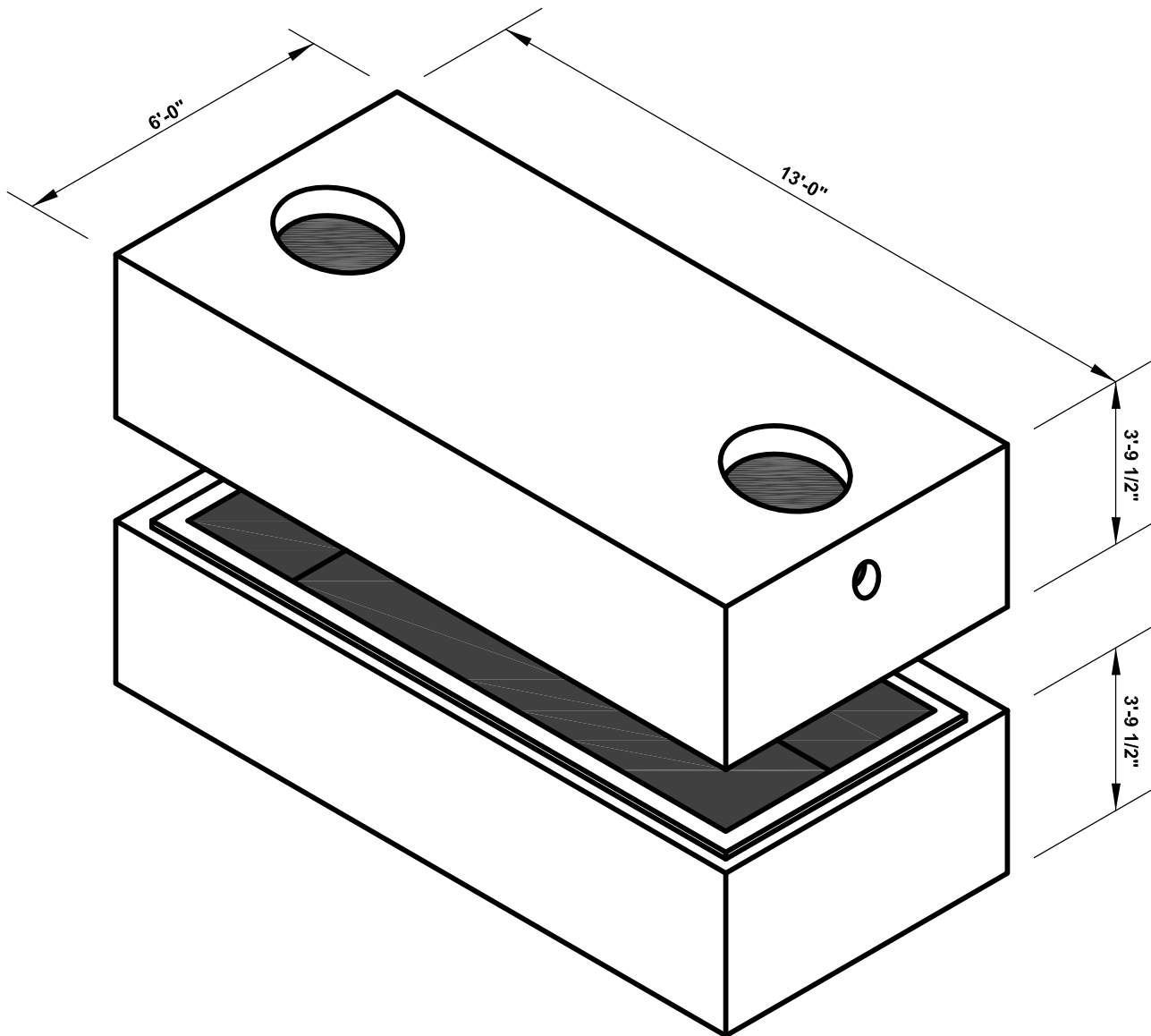
SECTION

### STANDARD SPECIFICATIONS

1. MINIMUM CONCRETE COMPRESSIVE STRENGTH:  $F'_c = 5,000$  PSI
2. REINFORCEMENT: ASTM A615 GRADE 60, MINIMUM 1" COVER
3. DESIGN & DETAILING CODE: ACI318 (UNLESS OTHERWISE SPECIFIED)
4. AASHTO HS20 LIVE LOAD
5. JOINT SEALANT: 1" BUTYL RUBBER
6. APPURTENANCES: FURNISHED & INSTALLED BY OTHERS

# DURASTONE

## 2,500 GALLON SEPTIC TANK INTERIOR DIMENSIONS 12'X5'X6'-7"



**APPROX. WEIGHTS:**  
**TOP: 13,800 LB**  
**BASE: 14,800 LB**

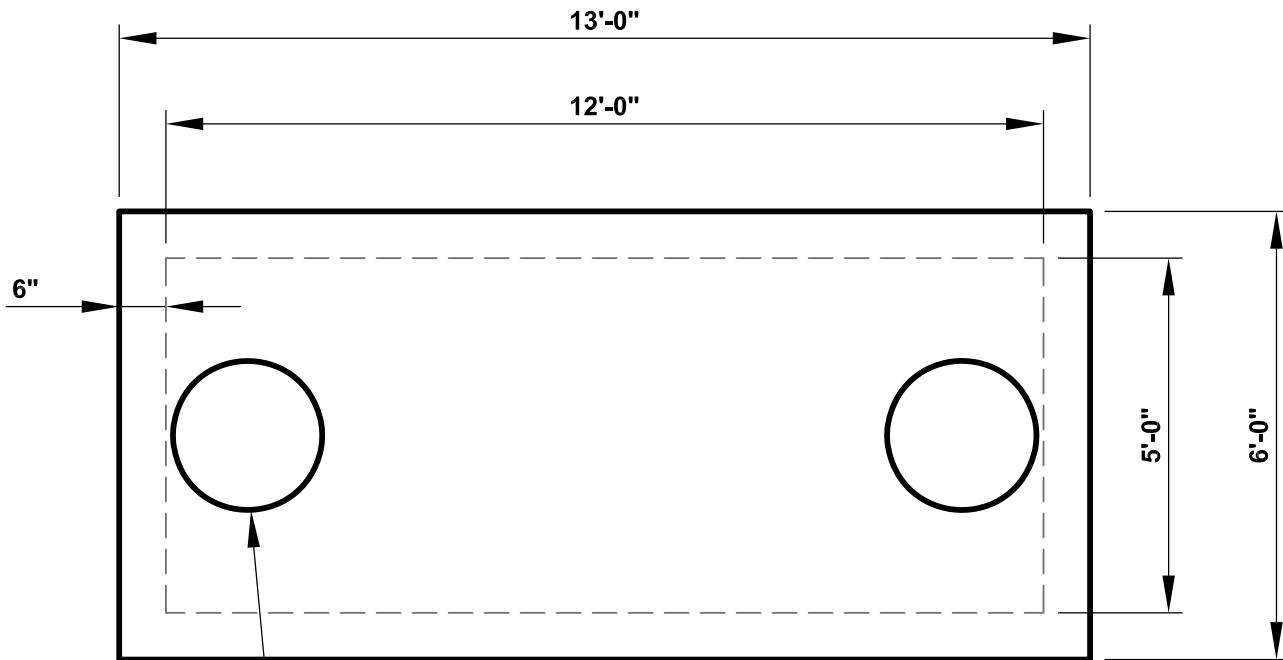
150 HIGGINSON AVENUE - LINCOLN, RI 02865 - Phone (401) 723-7100 - Fax (401) 723-6866

**NPCA**  
CERTIFIED PLANT

# DURASTONE

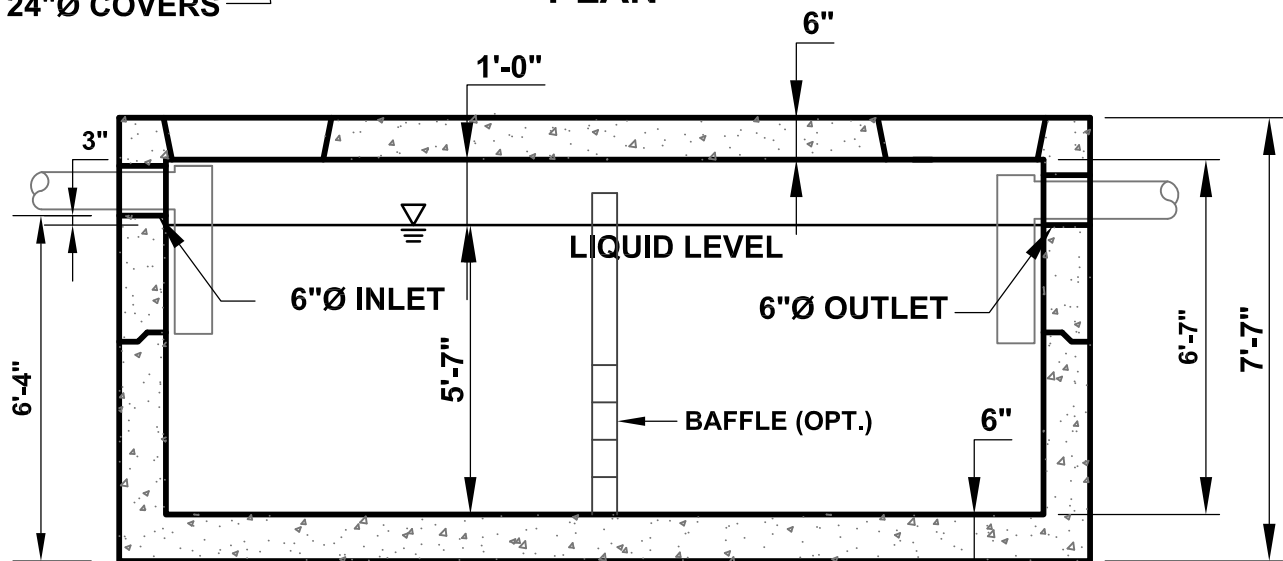
150 HIGGINSON AVENUE - LINCOLN, RI 02865 - Phone (401) 723-7100 - Fax (401) 723-6866

## 2,500 GALLON SEPTIC TANK



24"Ø COVERS

PLAN



SECTION

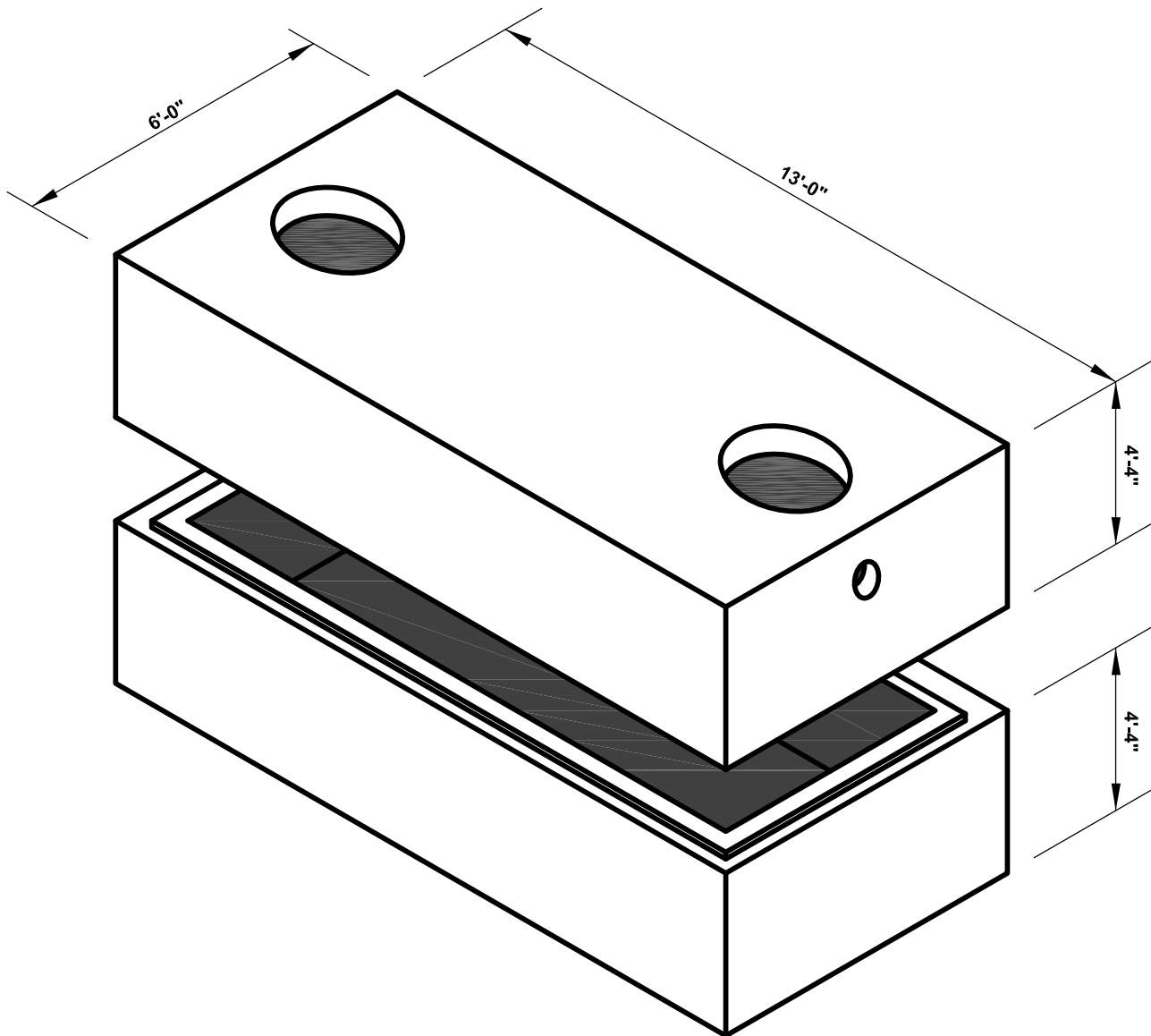
### STANDARD SPECIFICATIONS

1. MINIMUM CONCRETE COMPRESSIVE STRENGTH:  $F'_c = 5,000$  PSI
2. REINFORCEMENT: ASTM A615 GRADE 60, MINIMUM 1" COVER
3. DESIGN & DETAILING CODE: ACI318 (UNLESS OTHERWISE SPECIFIED)
4. AASHTO HS20 LIVE LOAD
5. JOINT SEALANT: 1" BUTYL RUBBER
6. APPURTENANCES: FURNISHED & INSTALLED BY OTHERS



# DURASTONE

## **3,000 GALLON SEPTIC TANK** **INTERIOR DIMENSIONS 12'X5'X7'-8"**



**APPROX. WEIGHTS:**  
**TOP: 15,300 LB**  
**BASE: 16,300 LB**

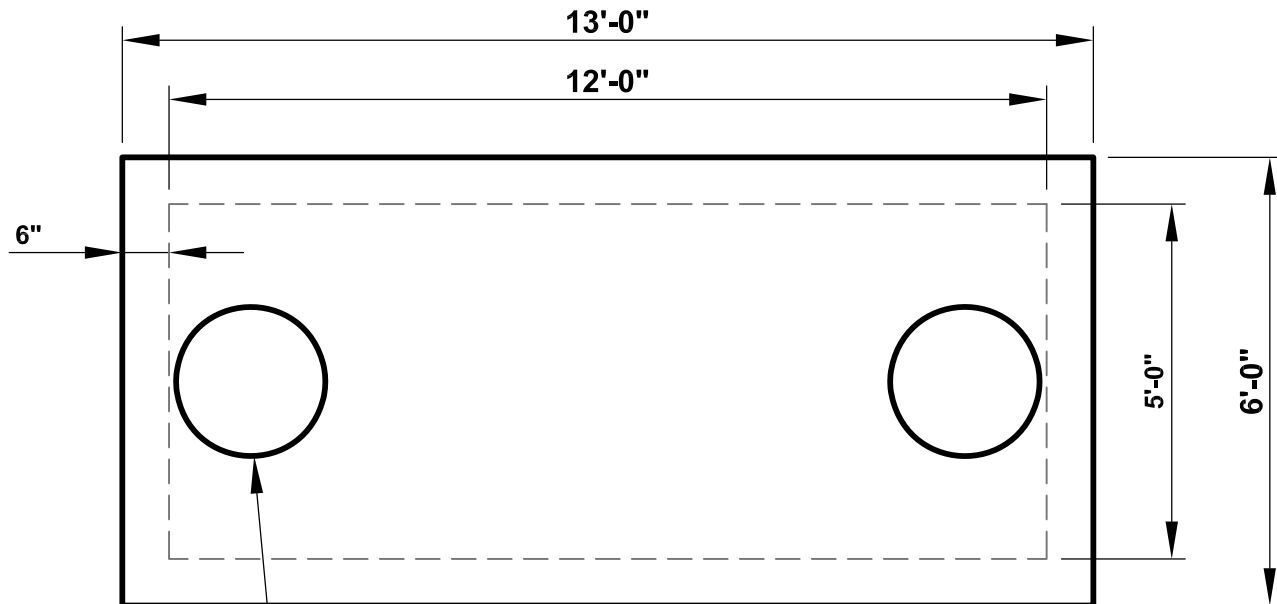
150 HIGGINSON AVENUE - LINCOLN, RI 02865 - Phone (401) 723-7100 - Fax (401) 723-6866

**NPCA**  
CERTIFIED PLANT

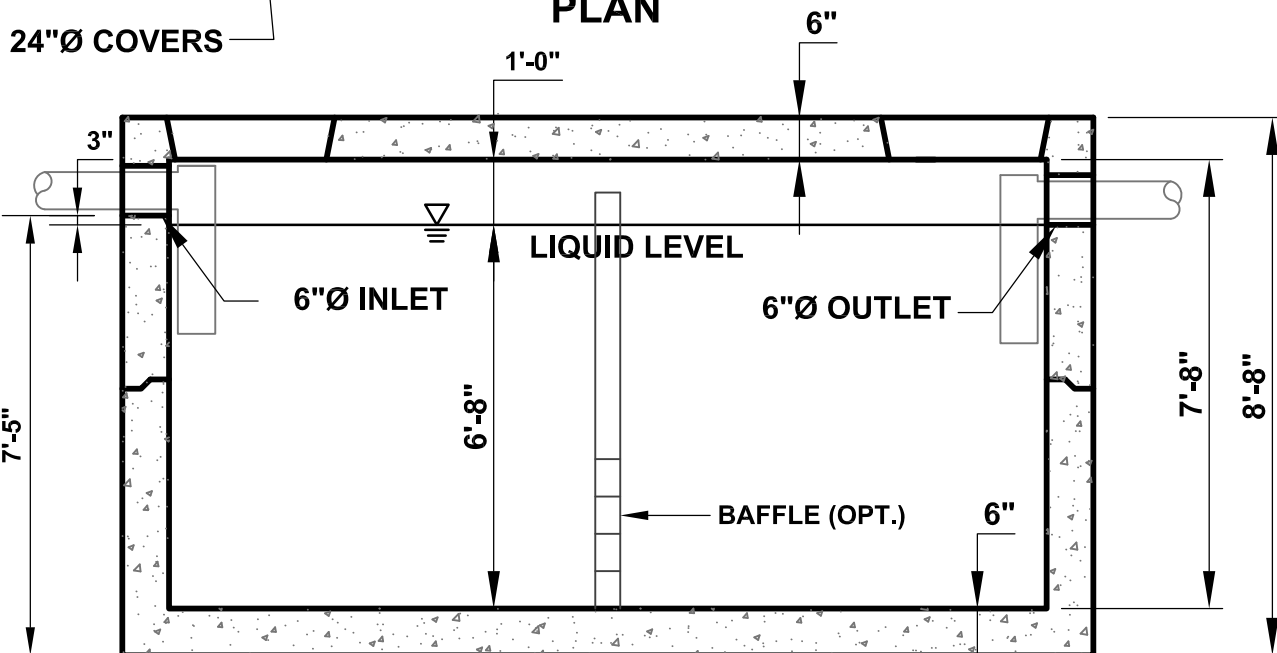
# DURASTONE

150 HIGGINSON AVENUE - LINCOLN, RI 02865 - Phone (401) 723-7100 - Fax (401) 723-6866

## 3,000 GALLON SEPTIC TANK



PLAN



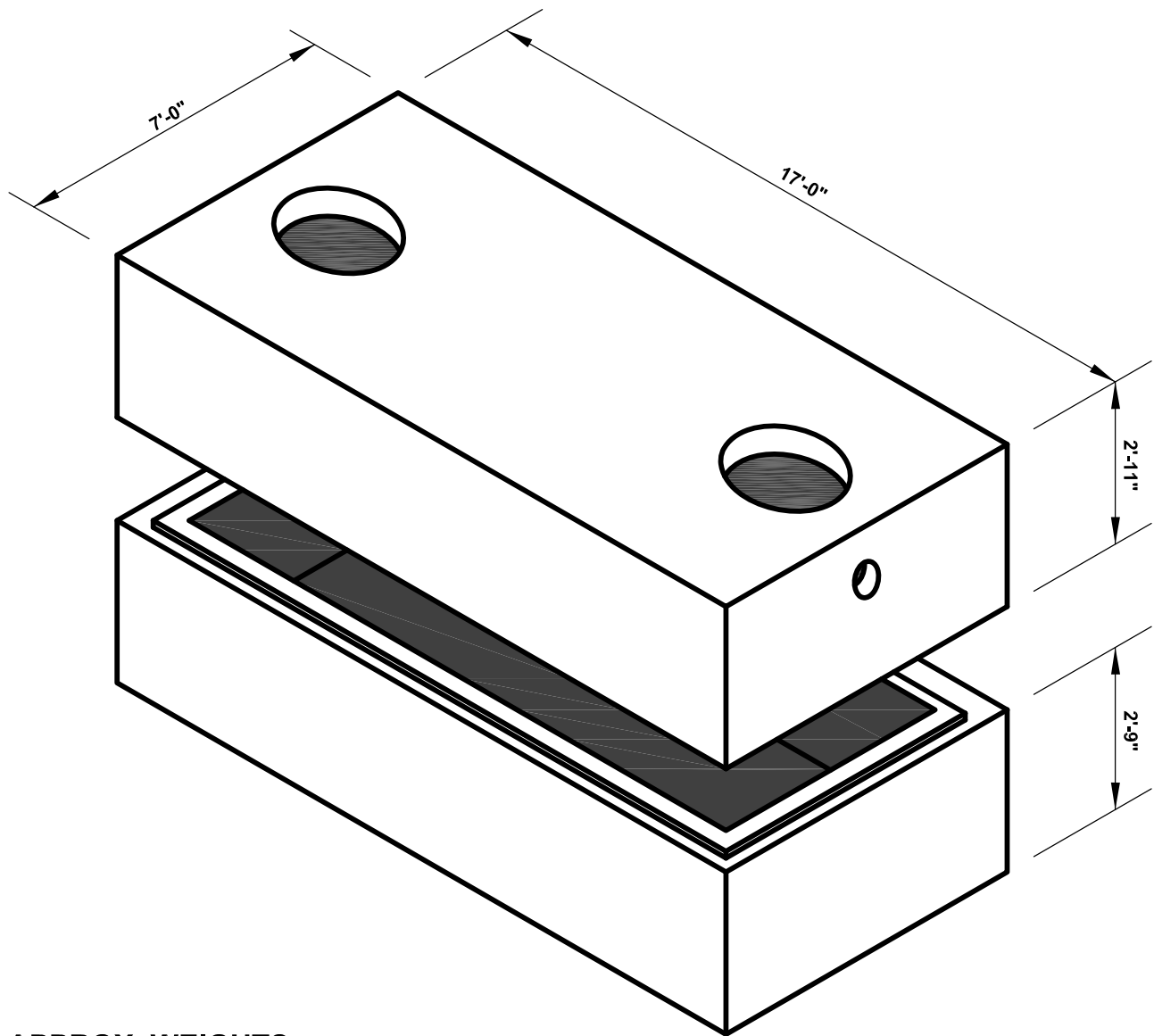
SECTION

### STANDARD SPECIFICATIONS

1. MINIMUM CONCRETE COMPRESSIVE STRENGTH:  $F'_c = 5,000$  PSI
2. REINFORCEMENT: ASTM A615 GRADE 60, MINIMUM 1" COVER
3. DESIGN & DETAILING CODE: ACI318 (UNLESS OTHERWISE SPECIFIED)
4. AASHTO HS20 LIVE LOAD
5. JOINT SEALANT: 1" BUTYL RUBBER
6. APPURTENANCES: FURNISHED & INSTALLED BY OTHERS

# DURASTONE

## **2,500 GALLON SEPTIC TANK** **INTERIOR DIMENSIONS 16'x6'x4'-6"**



**APPROX. WEIGHTS:**  
**TOP: 19,600 LB**  
**BASE: 16,700 LB**

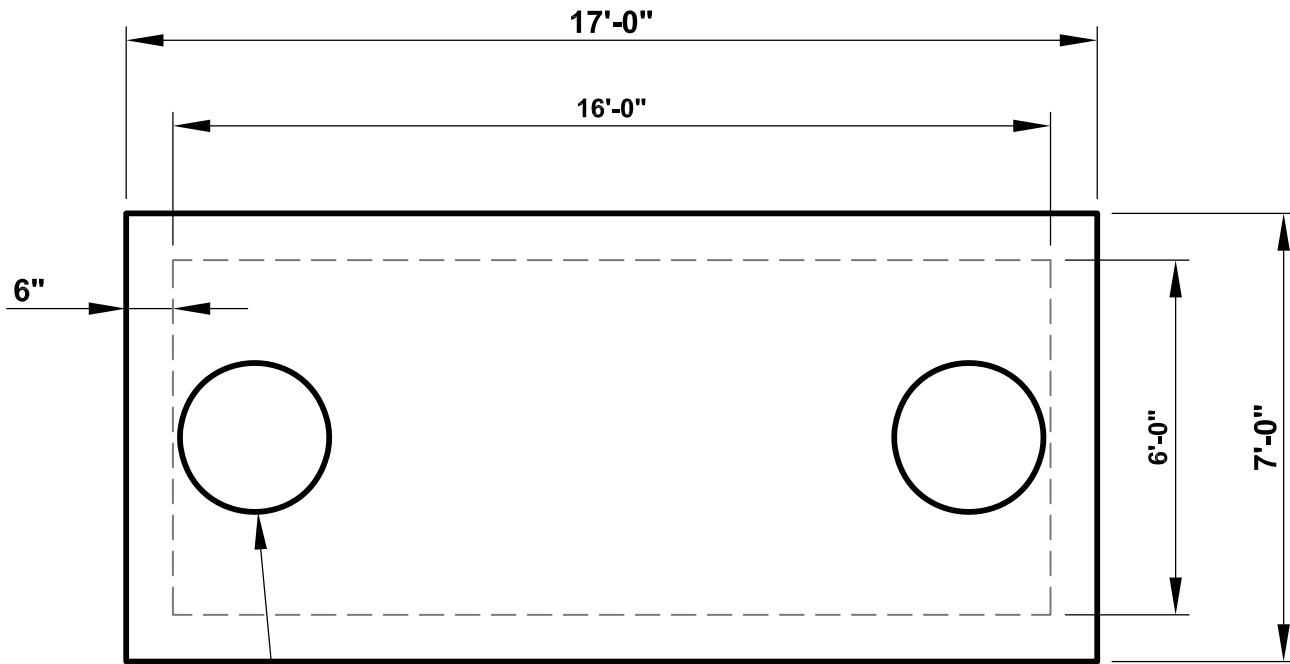
150 HIGGINSON AVENUE - LINCOLN, RI 02865 - Phone (401) 723-7100 - Fax (401) 723-6866

**NPCA**  
CERTIFIED PLANT

# DURASTONE

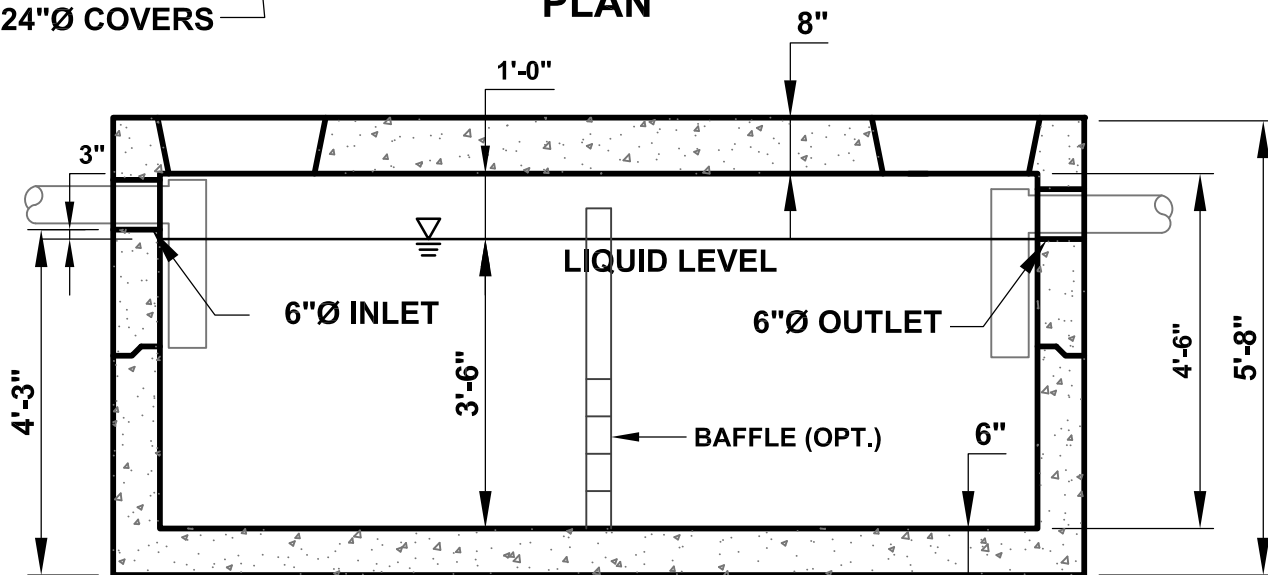
150 HIGGINSON AVENUE - LINCOLN, RI 02865 - Phone (401) 723-7100 - Fax (401) 723-6866

## 2,500 GALLON SEPTIC TANK



24"Ø COVERS

PLAN



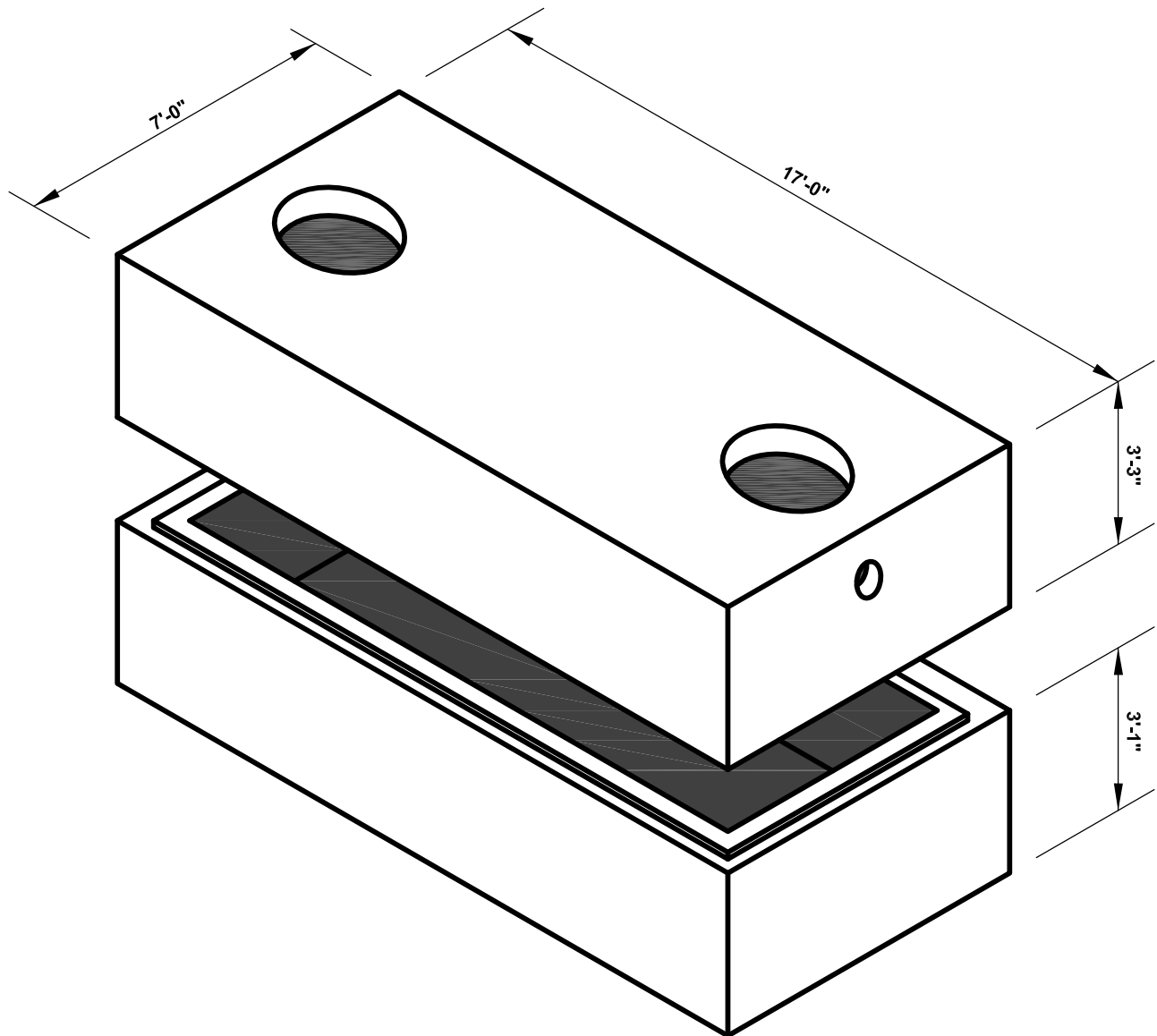
SECTION

### STANDARD SPECIFICATIONS

1. MINIMUM CONCRETE COMPRESSIVE STRENGTH:  $F'_c = 5,000$  PSI
2. REINFORCEMENT: ASTM A615 GRADE 60, MINIMUM 1" COVER
3. DESIGN & DETAILING CODE: ACI318 (UNLESS OTHERWISE SPECIFIED)
4. AASHTO HS20 LIVE LOAD
5. JOINT SEALANT: 1" BUTYL RUBBER
6. APPURTENANCES: FURNISHED & INSTALLED BY OTHERS

# DURASTONE

## **3,000 GALLON SEPTIC TANK** **INTERIOR DIMENSIONS 16'X6'X5'-2"**



**APPROX. WEIGHTS:**  
**TOP: 19,800 LB**  
**BASE: 17,900 LB**

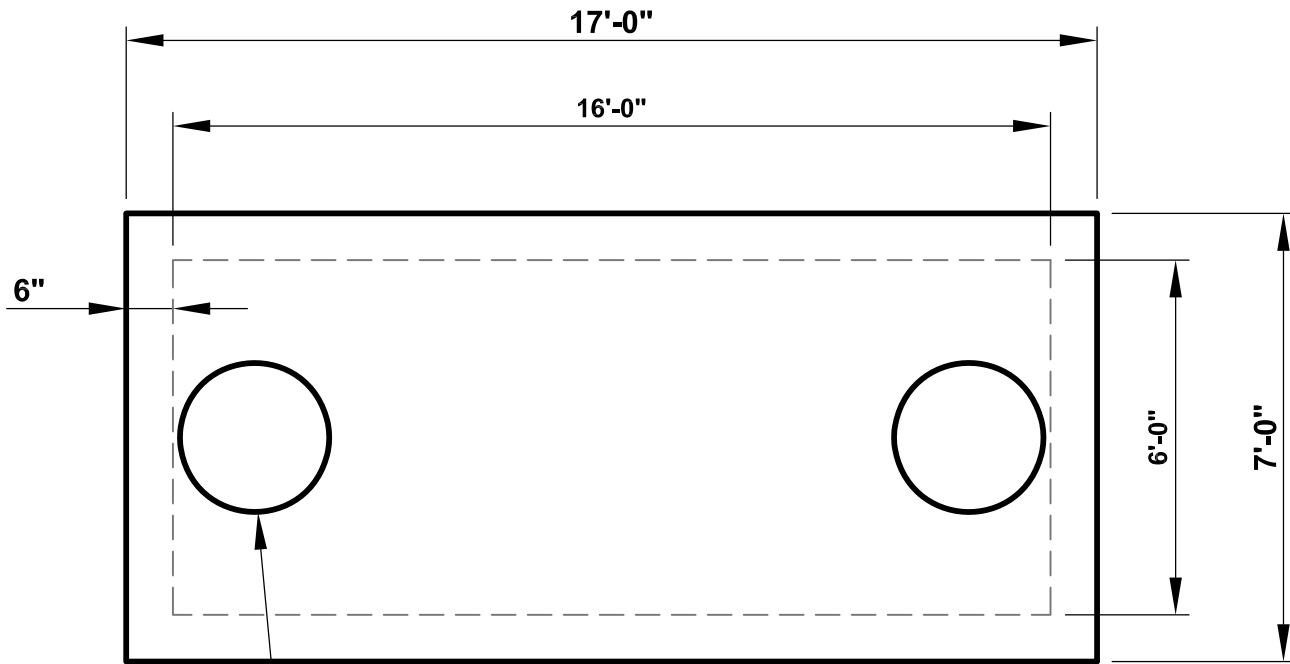
150 HIGGINSON AVENUE - LINCOLN, RI 02865 - Phone (401) 723-7100 - Fax (401) 723-6866

**NPCA**  
CERTIFIED PLANT

# DURASTONE

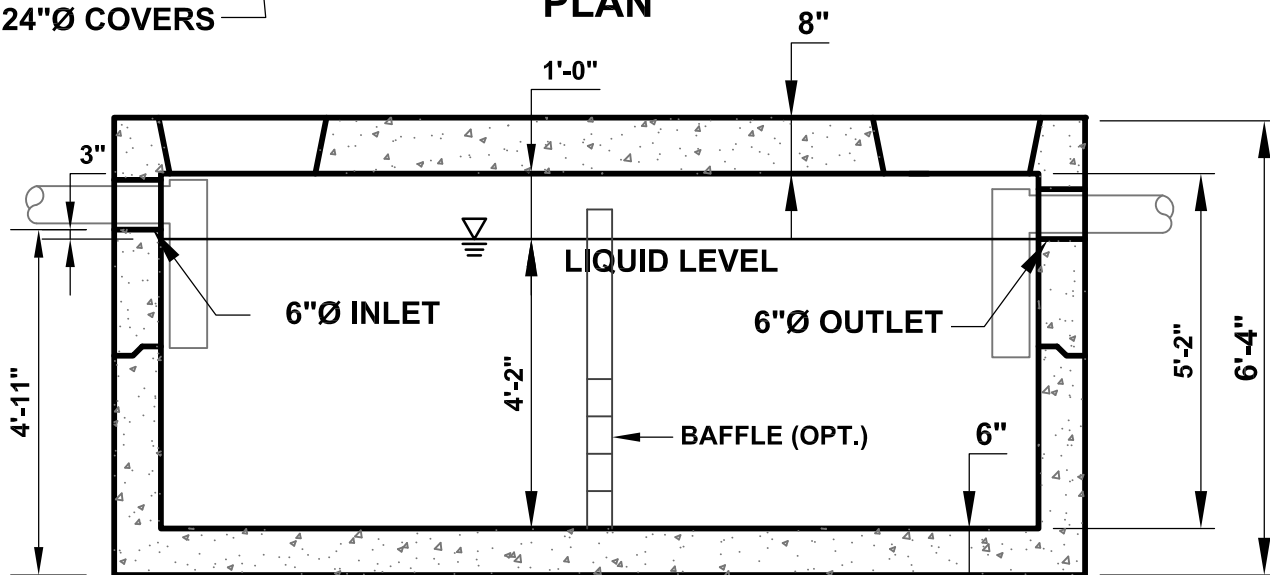
150 HIGGINSON AVENUE - LINCOLN, RI 02865 - Phone (401) 723-7100 - Fax (401) 723-6866

## 3,000 GALLON SEPTIC TANK



24"Ø COVERS

PLAN



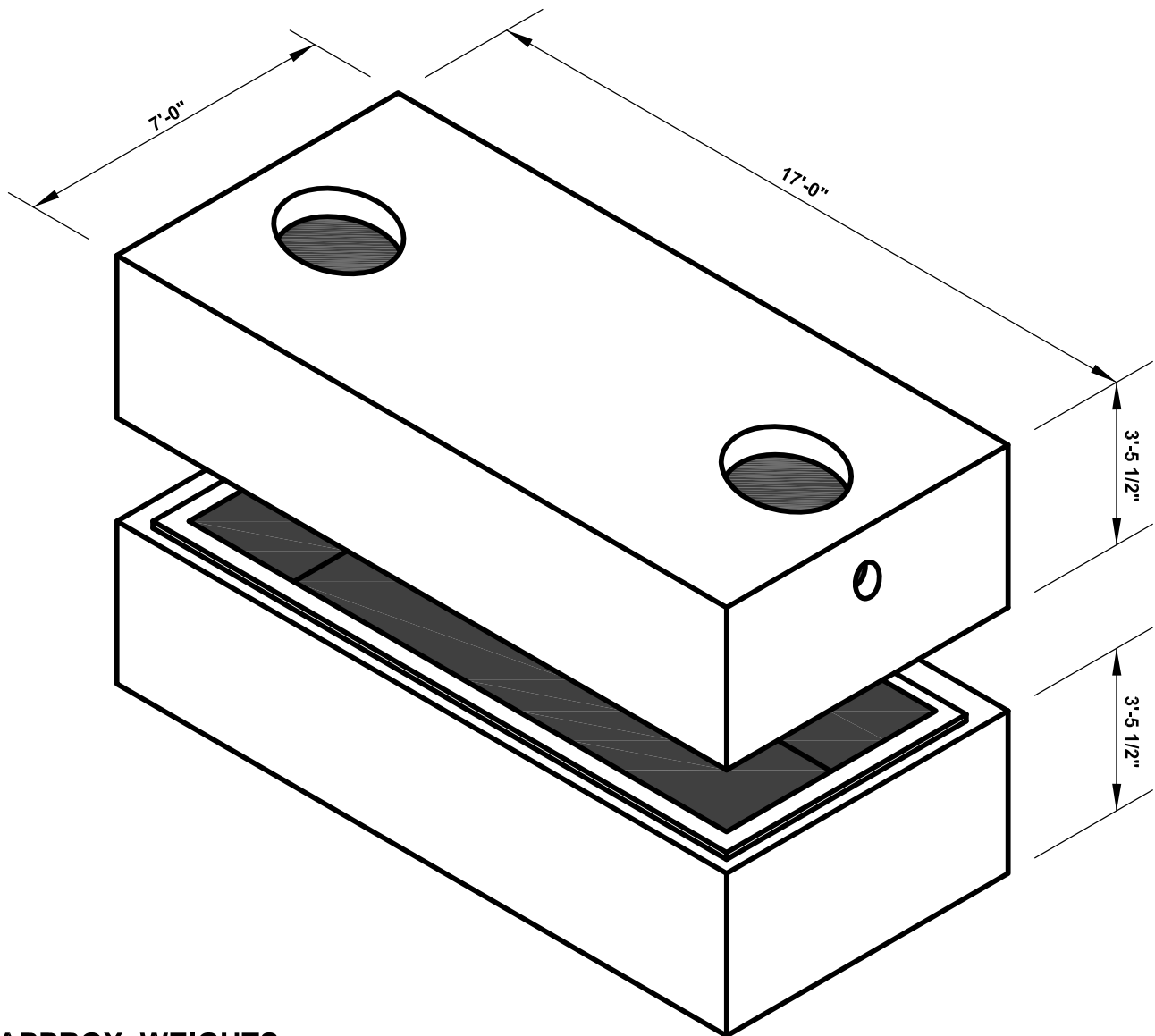
SECTION

### STANDARD SPECIFICATIONS

1. MINIMUM CONCRETE COMPRESSIVE STRENGTH:  $F'_c = 5,000$  PSI
2. REINFORCEMENT: ASTM A615 GRADE 60, MINIMUM 1" COVER
3. DESIGN & DETAILING CODE: ACI318 (UNLESS OTHERWISE SPECIFIED)
4. AASHTO HS20 LIVE LOAD
5. JOINT SEALANT: 1" BUTYL RUBBER
6. APPURTENANCES: FURNISHED & INSTALLED BY OTHERS

# DURASTONE

## 3,500 GALLON SEPTIC TANK INTERIOR DIMENSIONS 16'X6'X5'-11"



**APPROX. WEIGHTS:**  
**TOP: 21,000 LB**  
**BASE: 19,100 LB**

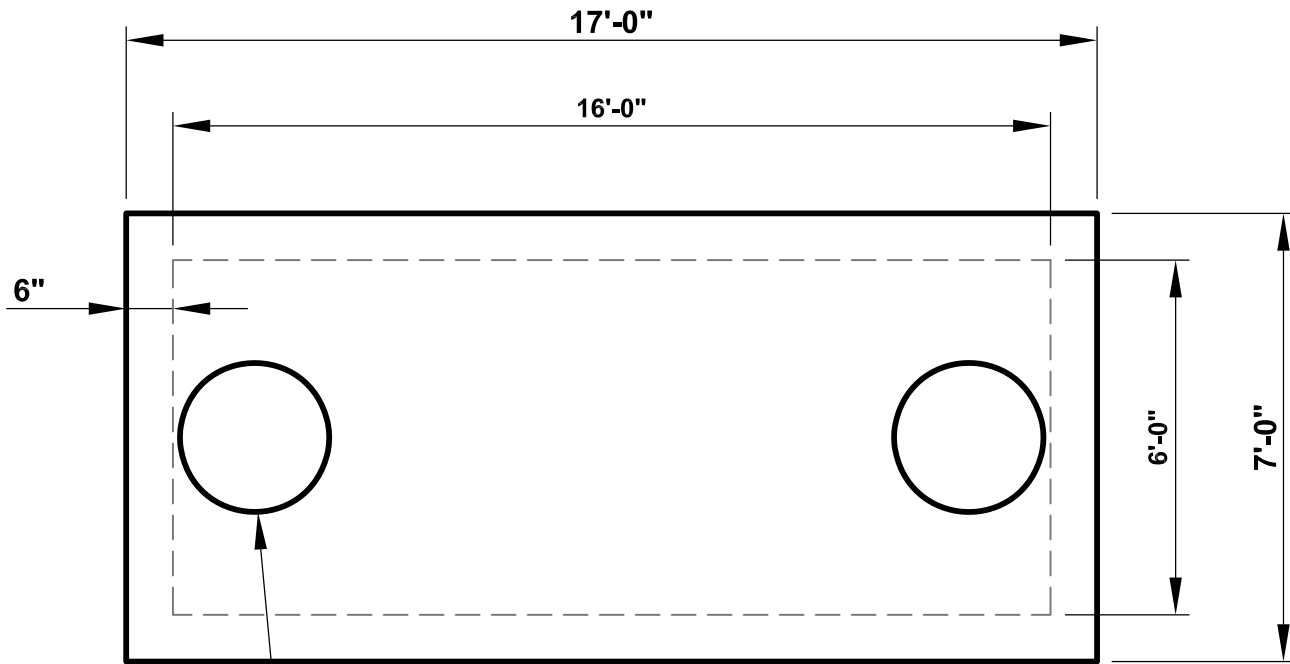
150 HIGGINSON AVENUE - LINCOLN, RI 02865 - Phone (401) 723-7100 - Fax (401) 723-6866

**NPCA**  
CERTIFIED PLANT

# DURASTONE

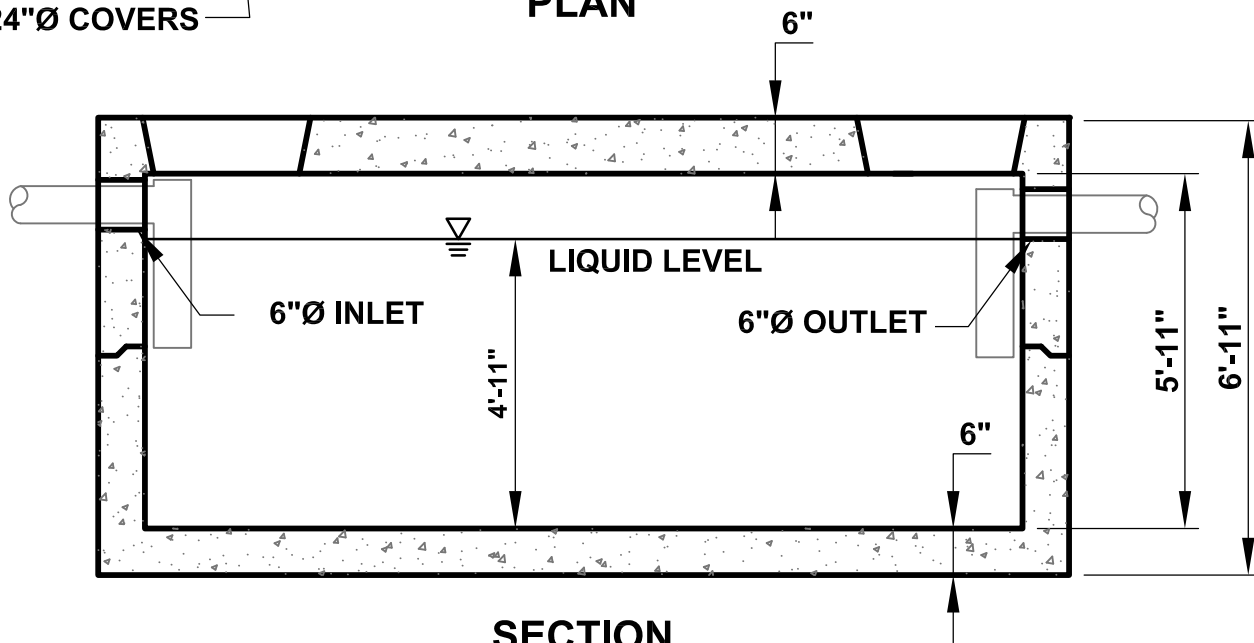
150 HIGGINSON AVENUE - LINCOLN, RI 02865 - Phone (401) 723-7100 - Fax (401) 723-6866

## 3,500 GALLON SEPTIC TANK



24"Ø COVERS

PLAN



SECTION

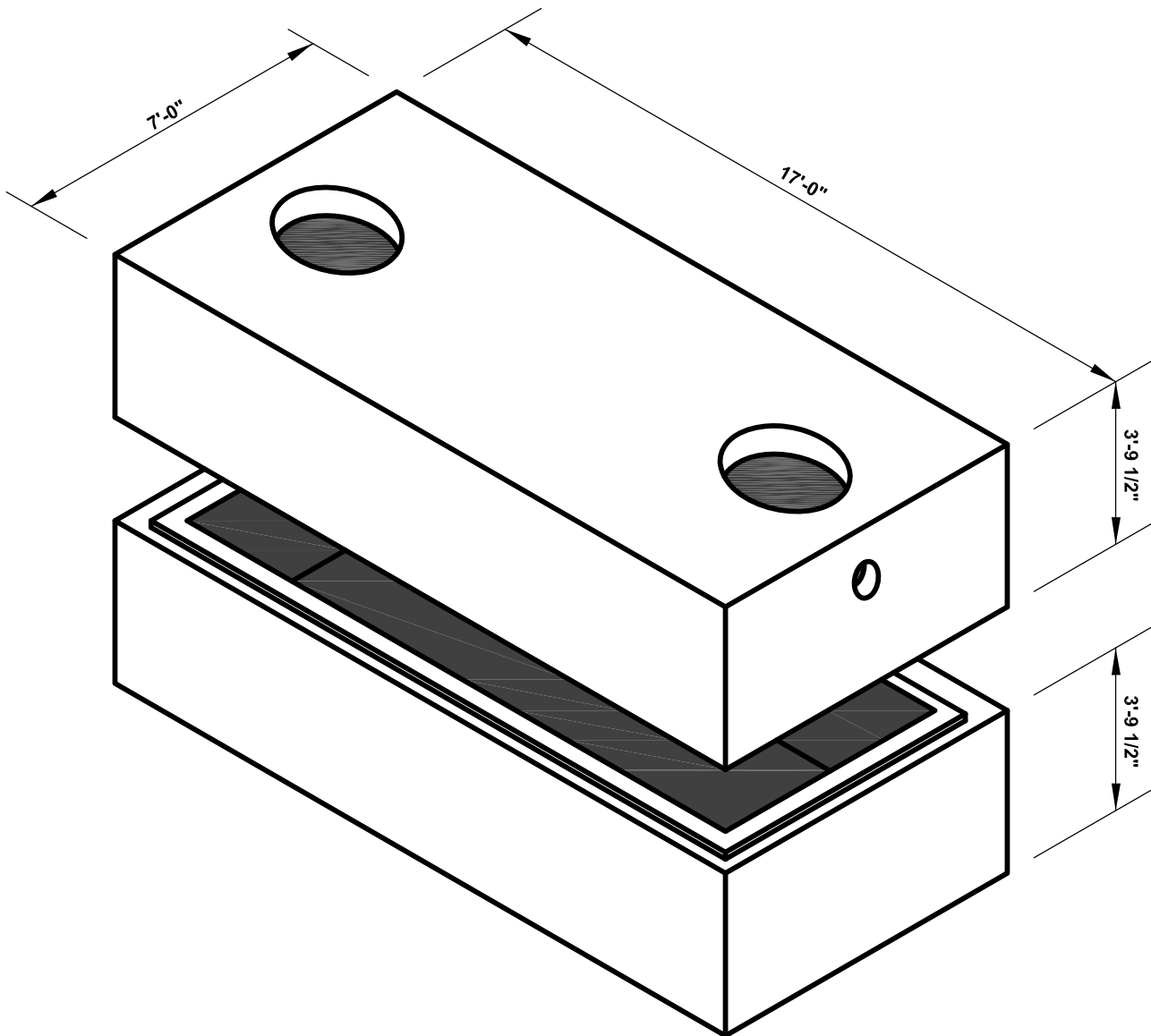
### STANDARD SPECIFICATIONS

1. MINIMUM CONCRETE COMPRESSIVE STRENGTH:  $F'_c = 5,000$  PSI
2. REINFORCEMENT: ASTM A615 GRADE 60, MINIMUM 1" COVER
3. DESIGN & DETAILING CODE: ACI318 (UNLESS OTHERWISE SPECIFIED)
4. AASHTO HS20 LIVE LOAD
5. JOINT SEALANT: 1" BUTYL RUBBER
6. APPURTENANCES: FURNISHED & INSTALLED BY OTHERS



# DURASTONE

## 4,000 GALLON SEPTIC TANK INTERIOR DIMENSIONS 16'X6'X6'-7"



**APPROX. WEIGHTS:**  
**TOP: 22,200 LB**  
**BASE: 20,300 LB**

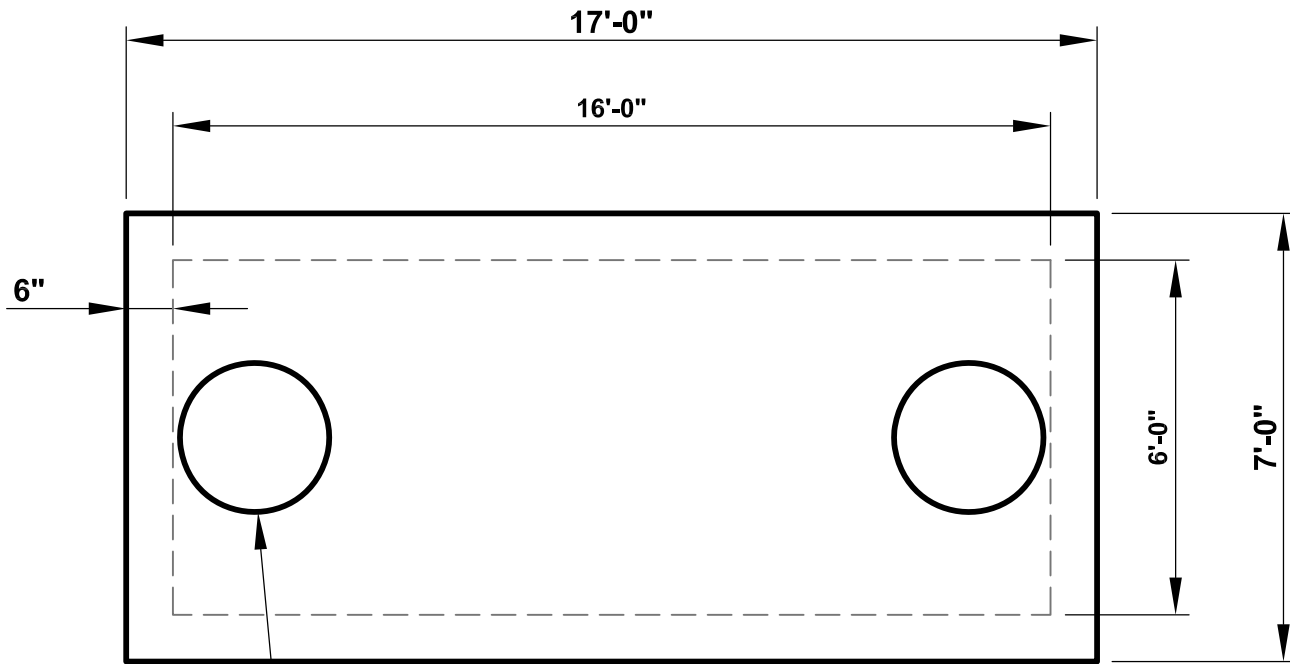
150 HIGGINSON AVENUE - LINCOLN, RI 02865 - Phone (401) 723-7100 - Fax (401) 723-6866

**NPCA**  
CERTIFIED PLANT

# DURASTONE

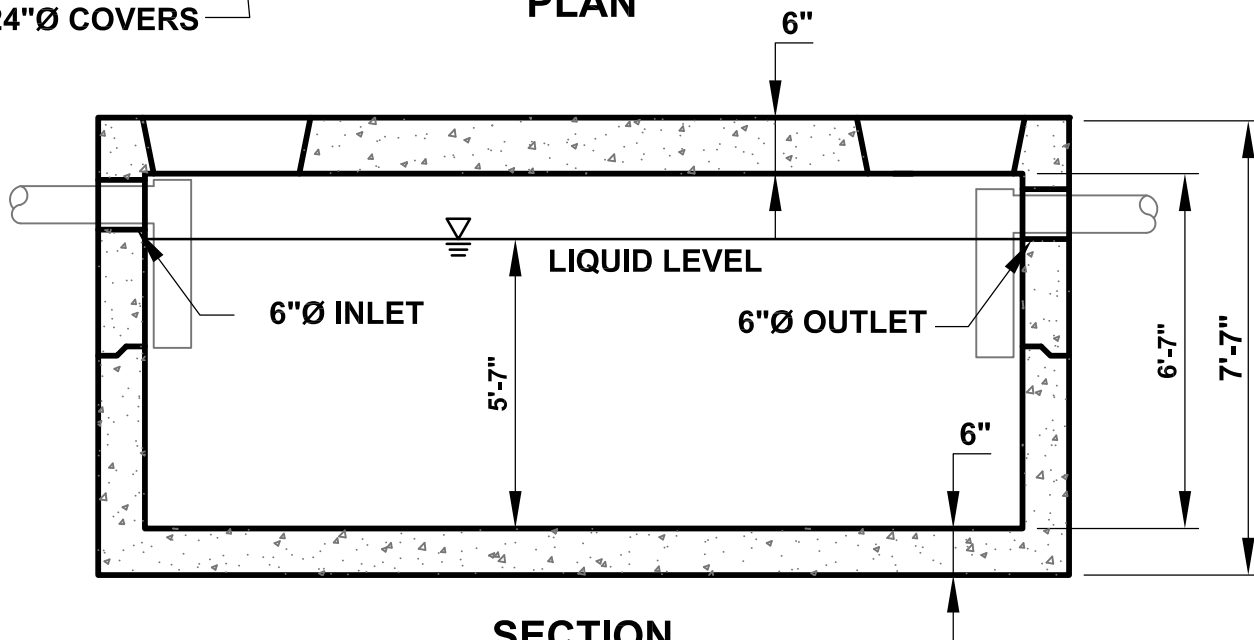
150 HIGGINSON AVENUE - LINCOLN, RI 02865 - Phone (401) 723-7100 - Fax (401) 723-6866

## 4,000 GALLON SEPTIC TANK



24"Ø COVERS

PLAN



SECTION

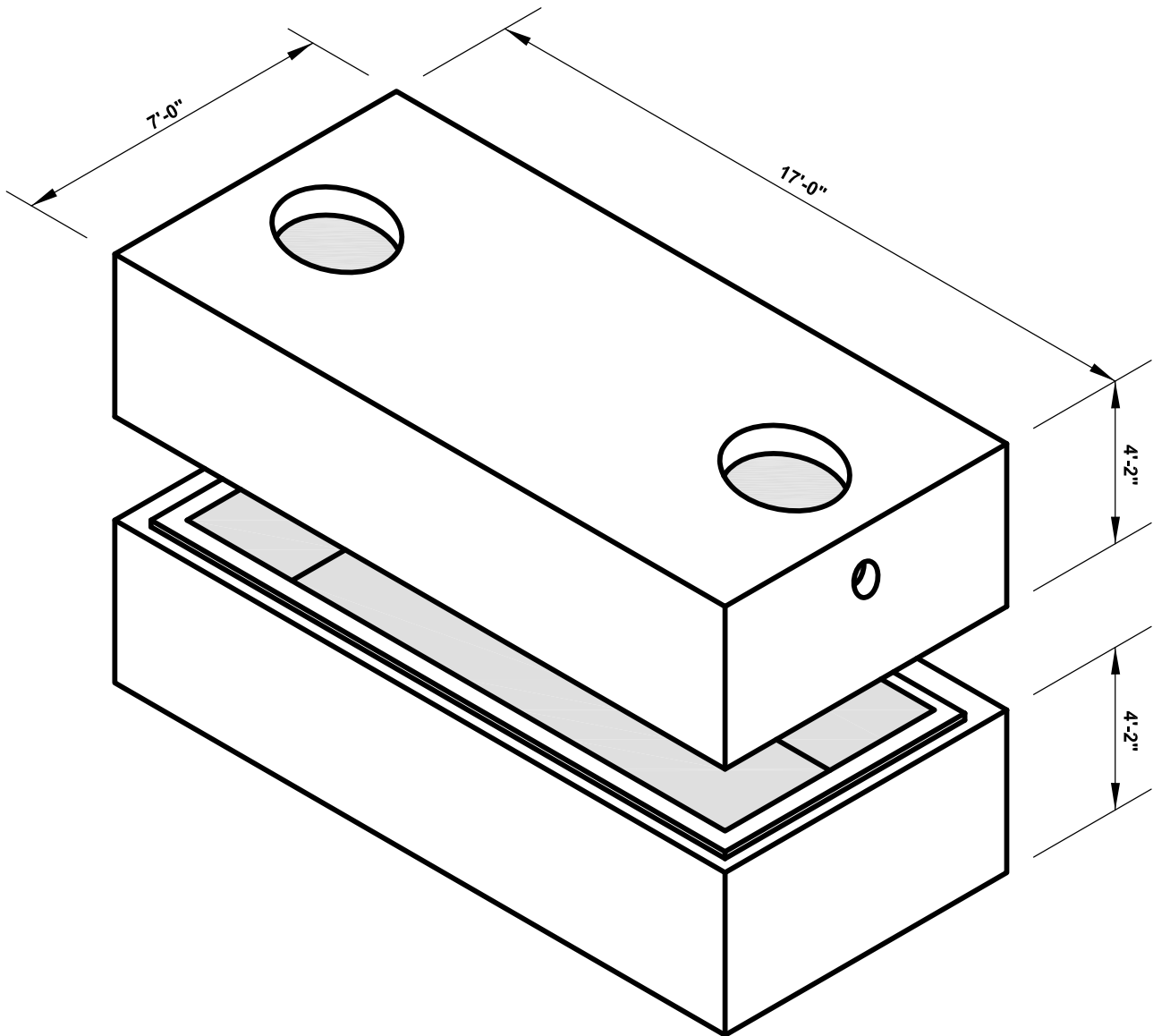
### STANDARD SPECIFICATIONS

1. MINIMUM CONCRETE COMPRESSIVE STRENGTH:  $F'_c = 5,000$  PSI
2. REINFORCEMENT: ASTM A615 GRADE 60, MINIMUM 1" COVER
3. DESIGN & DETAILING CODE: ACI318 (UNLESS OTHERWISE SPECIFIED)
4. AASHTO HS20 LIVE LOAD
5. JOINT SEALANT: 1" BUTYL RUBBER
6. APPURTENANCES: FURNISHED & INSTALLED BY OTHERS

# DURASTONE

## 4,500 GALLON SEPTIC TANK

INTERIOR DIMENSIONS 16'x6'x7'-4"



**APPROX. WEIGHTS:**

**TOP: 23,500 LB**

**BASE: 21,600 LB**

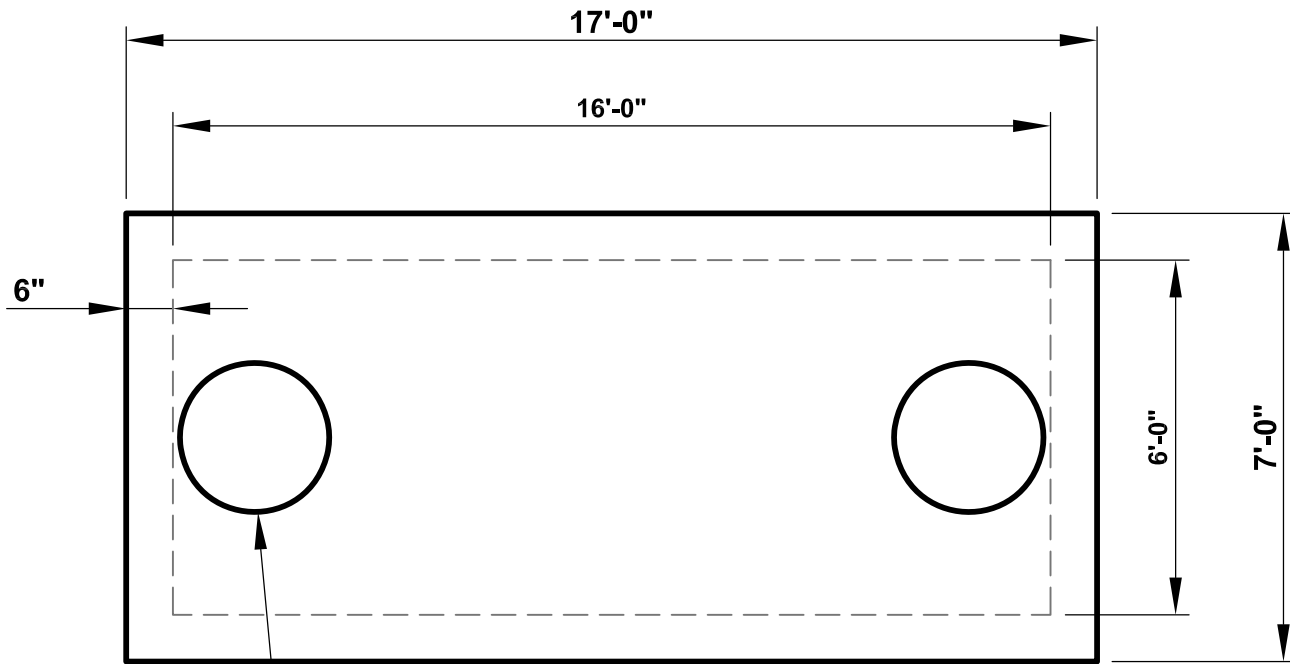
150 HIGGINSON AVENUE - LINCOLN, RI 02865 - Phone (401) 723-7100 - Fax (401) 723-6866

**NPCA**  
CERTIFIED PLANT

# DURASTONE

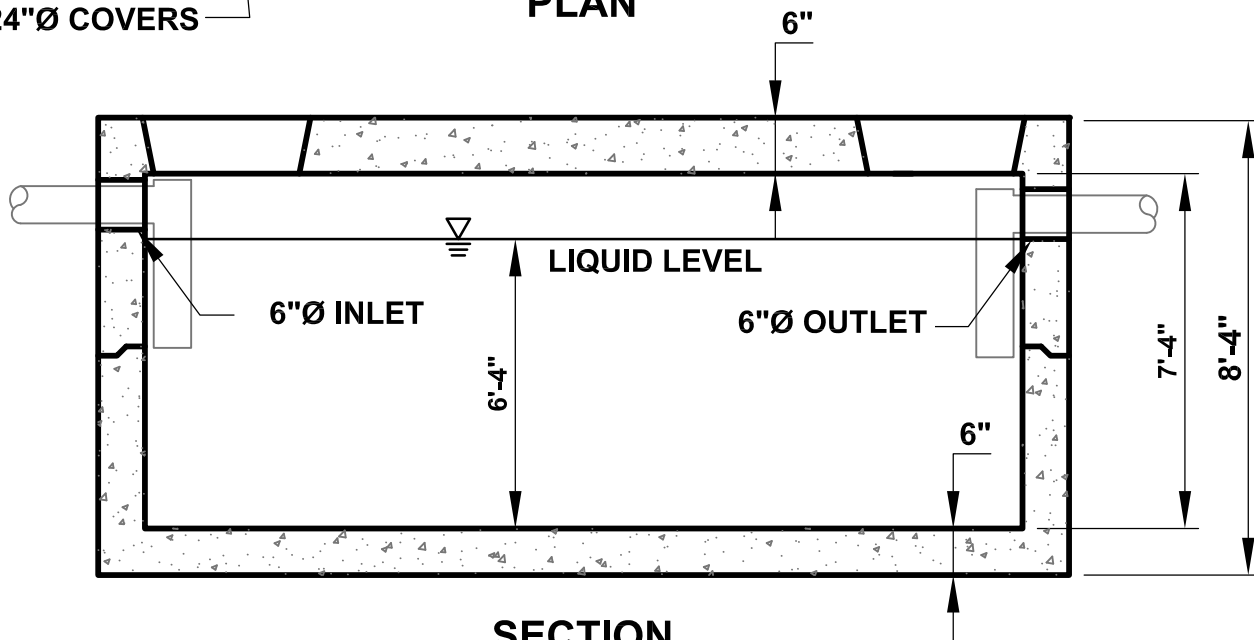
150 HIGGINSON AVENUE - LINCOLN, RI 02865 - Phone (401) 723-7100 - Fax (401) 723-6866

## 4,500 GALLON SEPTIC TANK



24"Ø COVERS

PLAN



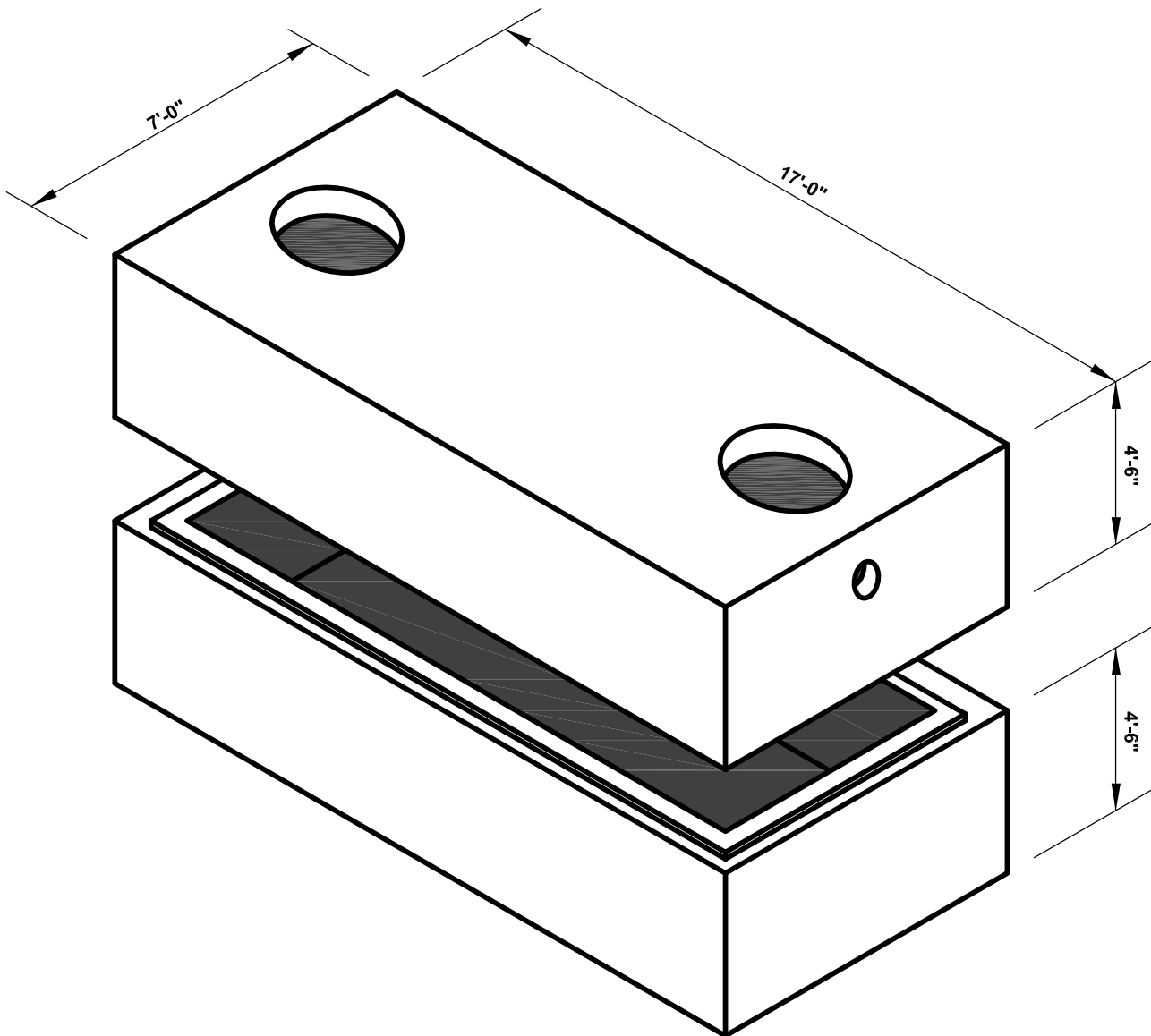
SECTION

### STANDARD SPECIFICATIONS

1. MINIMUM CONCRETE COMPRESSIVE STRENGTH:  $F'_c = 5,000$  PSI
2. REINFORCEMENT: ASTM A615 GRADE 60, MINIMUM 1" COVER
3. DESIGN & DETAILING CODE: ACI318 (UNLESS OTHERWISE SPECIFIED)
4. AASHTO HS20 LIVE LOAD
5. JOINT SEALANT: 1" BUTYL RUBBER
6. APPURTENANCES: FURNISHED & INSTALLED BY OTHERS

# DURASTONE

## 5,000 GALLON SEPTIC TANK INTERIOR DIMENSIONS 16'X6'X8'-0"



**APPROX. WEIGHTS:**  
**TOP: 24,600 LB**  
**BASE: 22,700 LB**

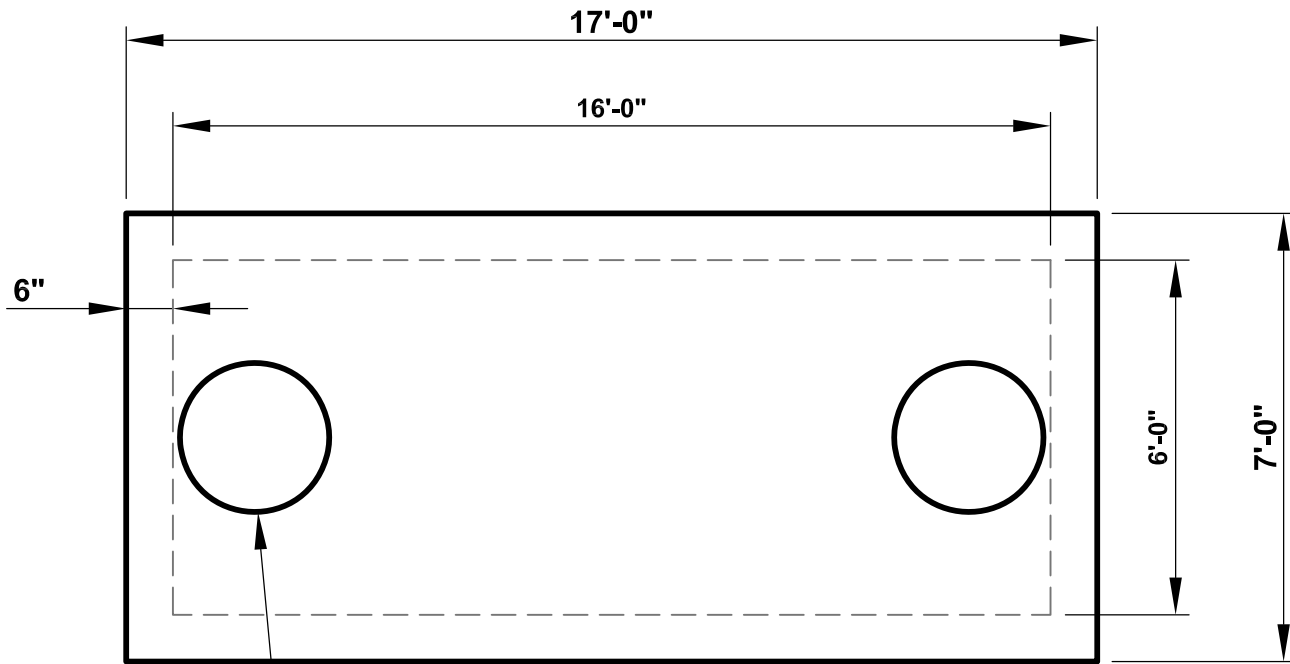
150 HIGGINSON AVENUE - LINCOLN, RI 02865 - Phone (401) 723-7100 - Fax (401) 723-6866

**NPCA**  
CERTIFIED PLANT

# DURASTONE

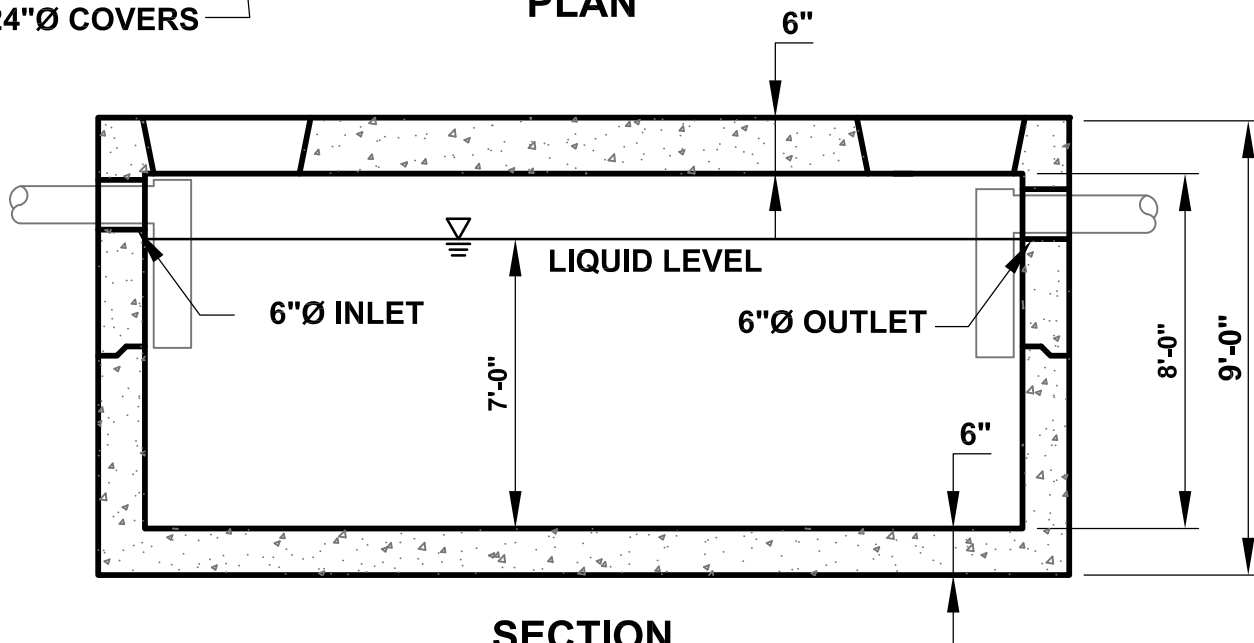
150 HIGGINSON AVENUE - LINCOLN, RI 02865 - Phone (401) 723-7100 - Fax (401) 723-6866

## 5,000 GALLON SEPTIC TANK



24"Ø COVERS

PLAN



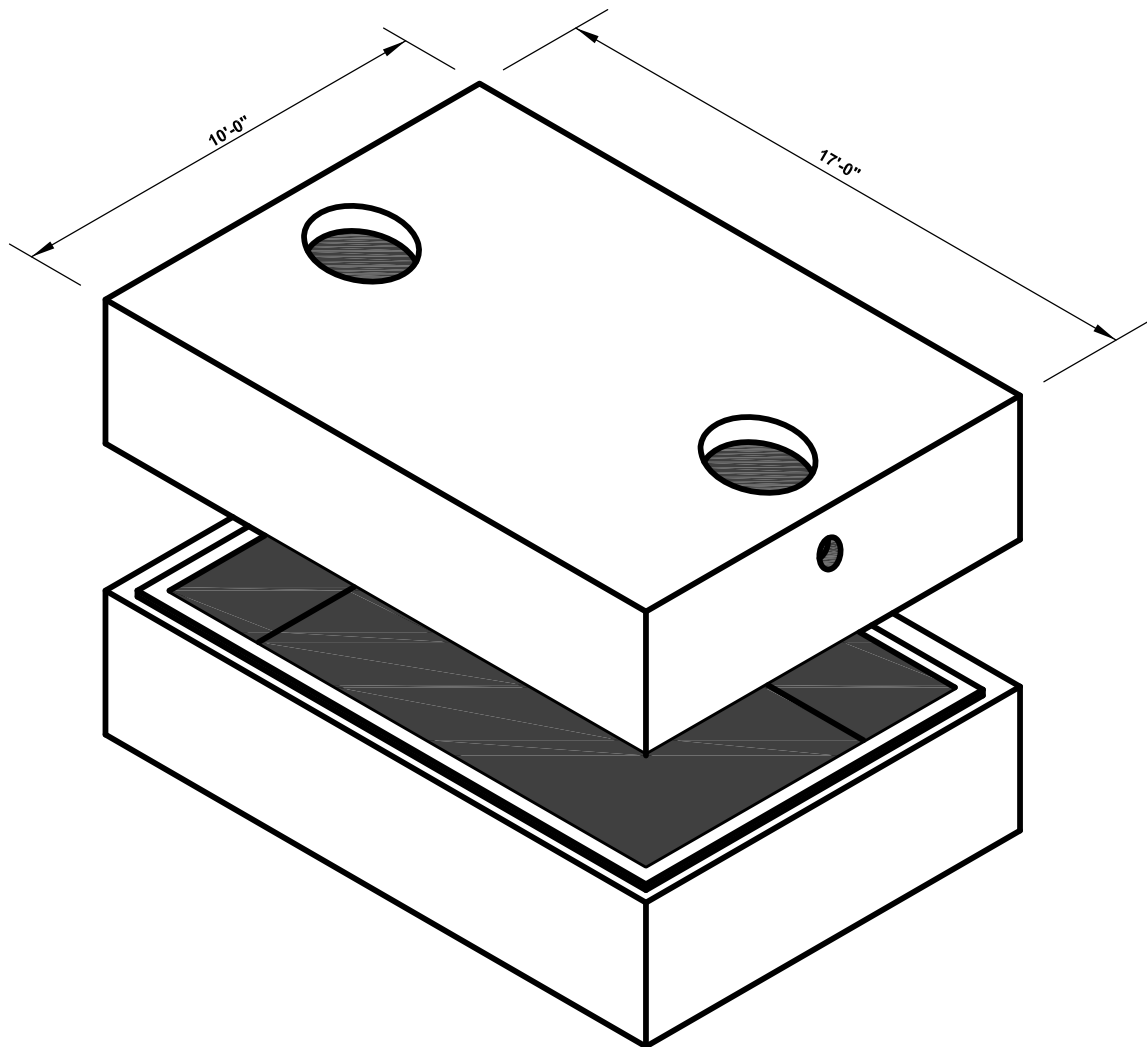
SECTION

### STANDARD SPECIFICATIONS

1. MINIMUM CONCRETE COMPRESSIVE STRENGTH:  $F'_c = 5,000$  PSI
2. REINFORCEMENT: ASTM A615 GRADE 60, MINIMUM 1" COVER
3. DESIGN & DETAILING CODE: ACI318 (UNLESS OTHERWISE SPECIFIED)
4. AASHTO HS20 LIVE LOAD
5. JOINT SEALANT: 1" BUTYL RUBBER
6. APPURTENANCES: FURNISHED & INSTALLED BY OTHERS

# DURASTONE

## **5,000 GALLON SEPTIC TANK** **INTERIOR DIMENSIONS 16'x9'x5'-8"**



**APPROX. WEIGHTS:**  
**TOP: 29,500 LB**  
**BASE: 23,800 LB**

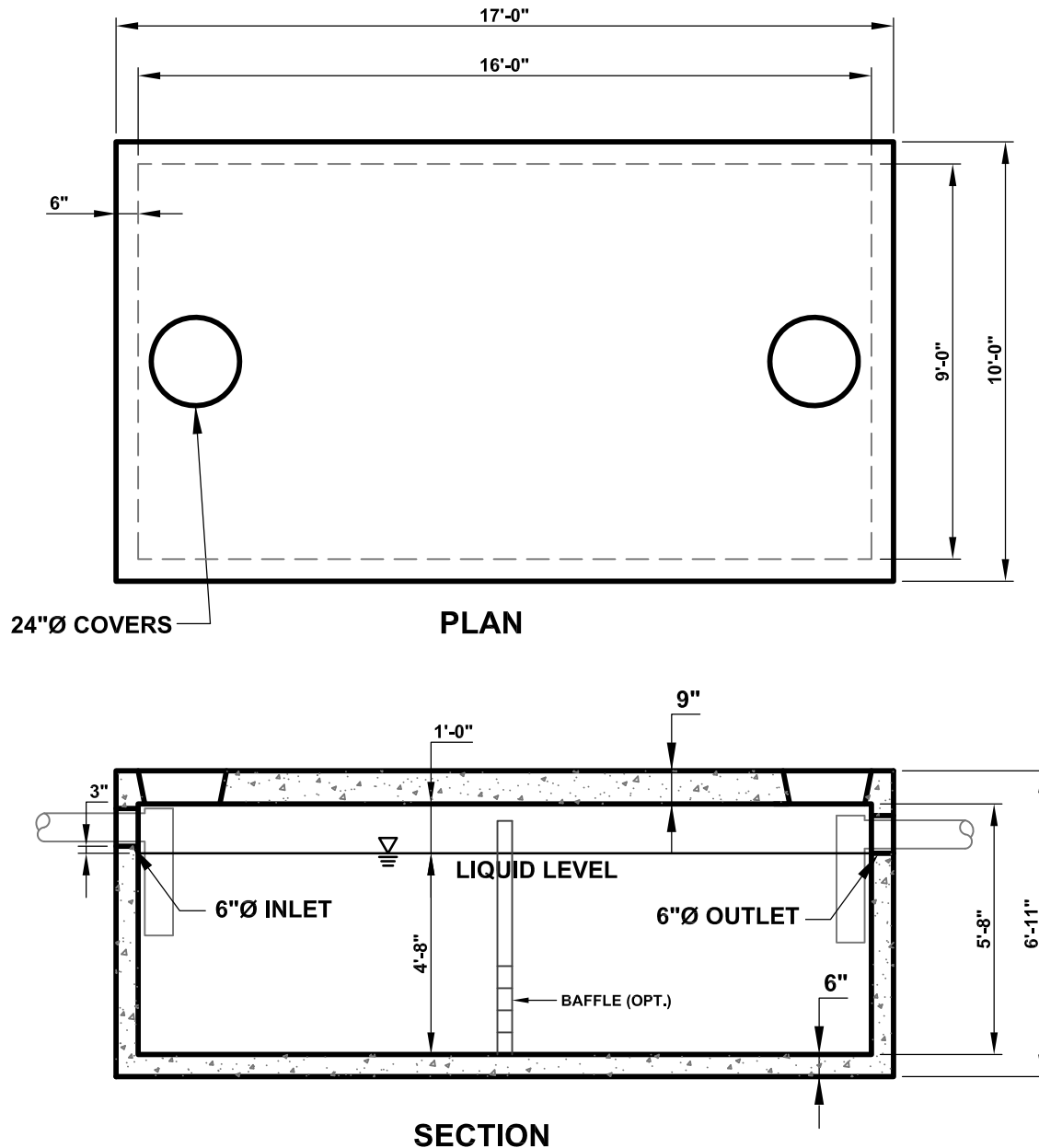
150 HIGGINSON AVENUE - LINCOLN, RI 02865 - Phone (401) 723-7100 - Fax (401) 723-6866

**NPCA**  
CERTIFIED PLANT

# DURASTONE

150 HIGGINSON AVENUE - LINCOLN, RI 02865 - Phone (401) 723-7100 - Fax (401) 723-6866

## 5,000 GALLON SEPTIC TANK



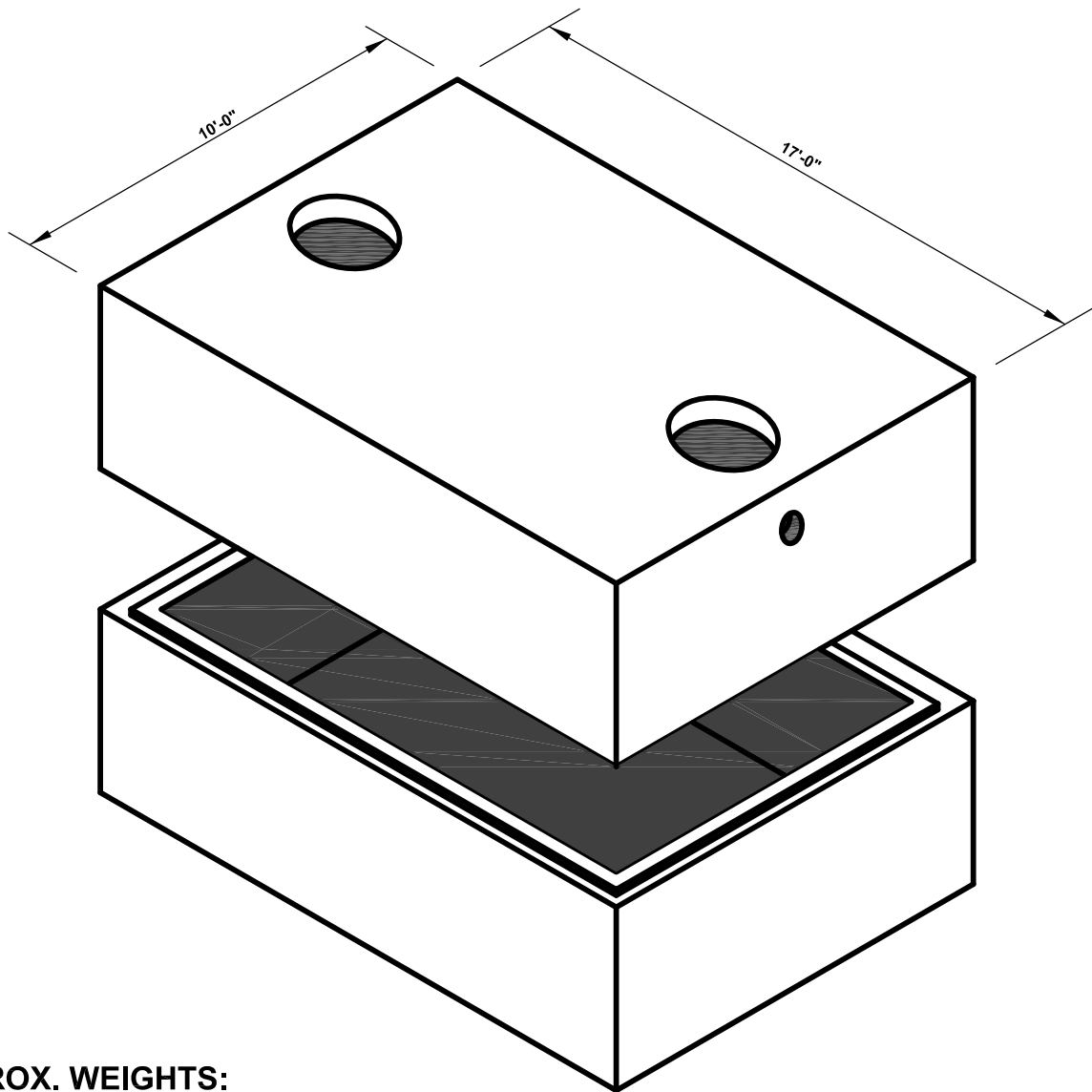
### STANDARD SPECIFICATIONS

1. MINIMUM CONCRETE COMPRESSIVE STRENGTH:  $F'_c = 5,000$  PSI
2. REINFORCEMENT: ASTM A615 GRADE 60, MINIMUM 1" COVER
3. DESIGN & DETAILING CODE: ACI318 (UNLESS OTHERWISE SPECIFIED)
4. AASHTO HS20 LIVE LOAD
5. JOINT SEALANT: 1" BUTYL RUBBER
6. APPURTENANCES: FURNISHED & INSTALLED BY OTHERS



# DURASTONE

## **6,000 GALLON SEPTIC TANK** **INTERIOR DIMENSIONS 16'x9'x6'-7"**



**APPROX. WEIGHTS:**  
**TOP: 31,300 LB**  
**BASE: 25,600 LB**

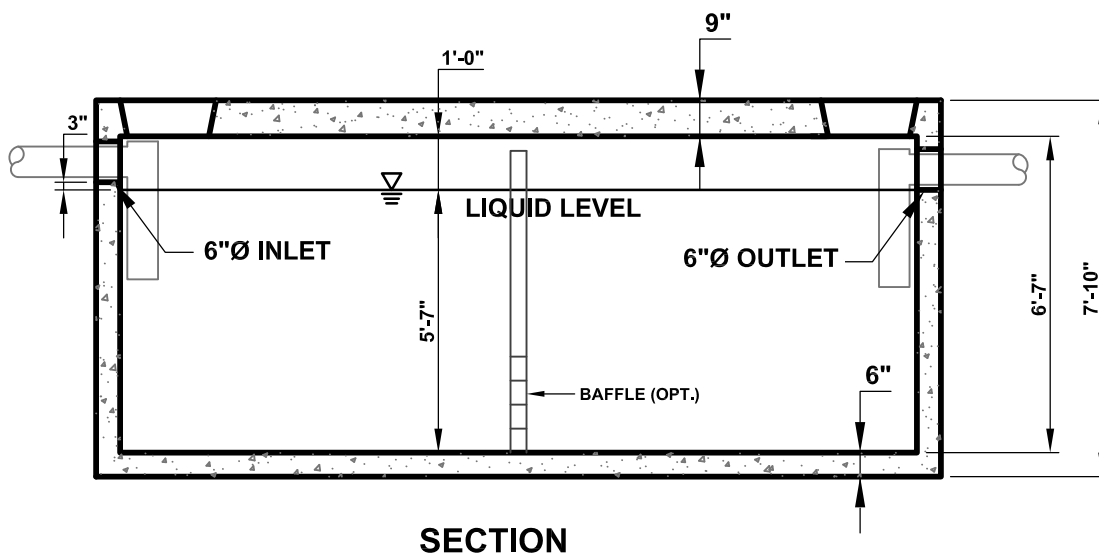
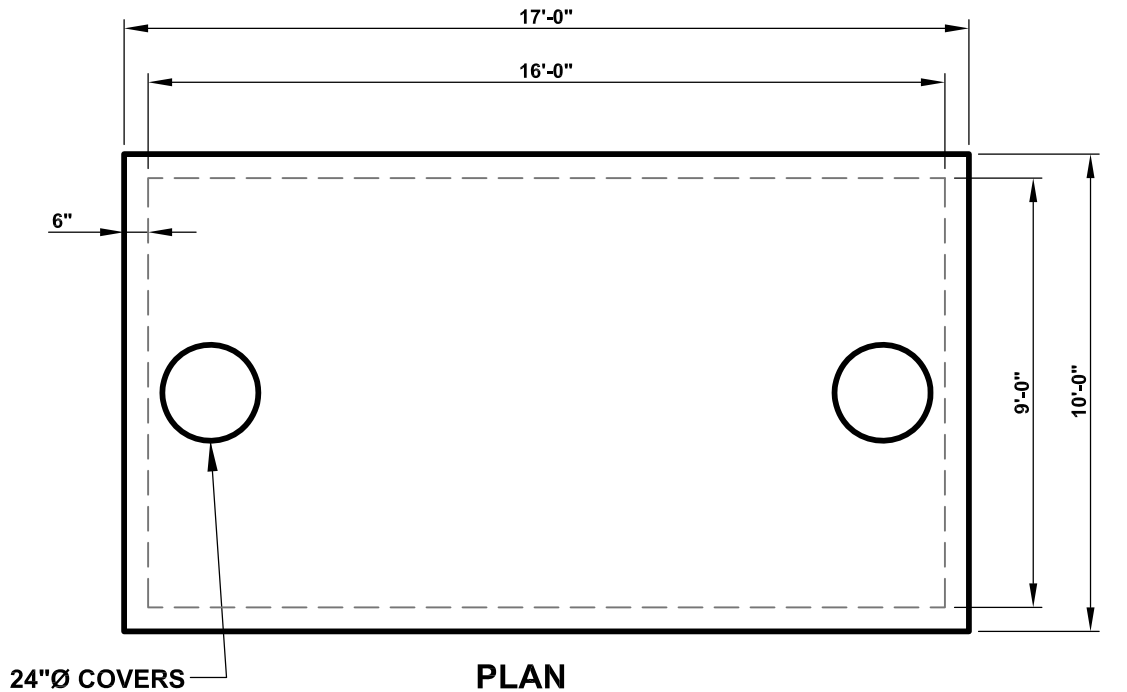
150 HIGGINSON AVENUE - LINCOLN, RI 02865 - Phone (401) 723-7100 - Fax (401) 723-6866

**NPCA**  
CERTIFIED PLANT

# DURASTONE

150 HIGGINSON AVENUE - LINCOLN, RI 02865 - Phone (401) 723-7100 - Fax (401) 723-6866

## 6,000 GALLON SEPTIC TANK

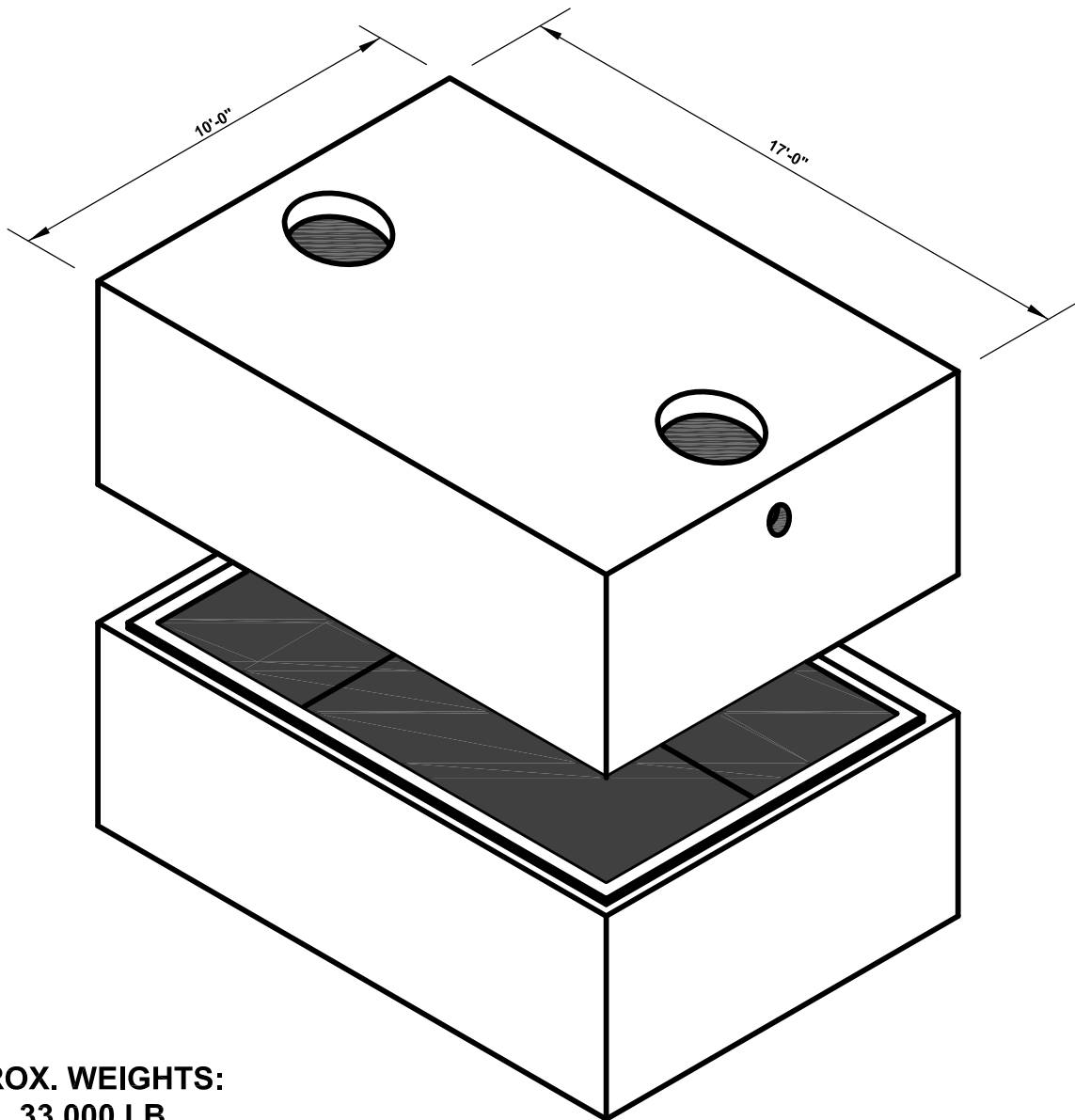


### STANDARD SPECIFICATIONS

1. MINIMUM CONCRETE COMPRESSIVE STRENGTH:  $F'_c = 5,000$  PSI
2. REINFORCEMENT: ASTM A615 GRADE 60, MINIMUM 1" COVER
3. DESIGN & DETAILING CODE: ACI318 (UNLESS OTHERWISE SPECIFIED)
4. AASHTO HS20 LIVE LOAD
5. JOINT SEALANT: 1" BUTYL RUBBER
6. APPURTENANCES: FURNISHED & INSTALLED BY OTHERS

# DURASTONE

## **7,000 GALLON SEPTIC TANK** **INTERIOR DIMENSIONS 16'x9'x7'-6"**



**APPROX. WEIGHTS:**  
**TOP: 33,000 LB**  
**BASE: 27,400 LB**

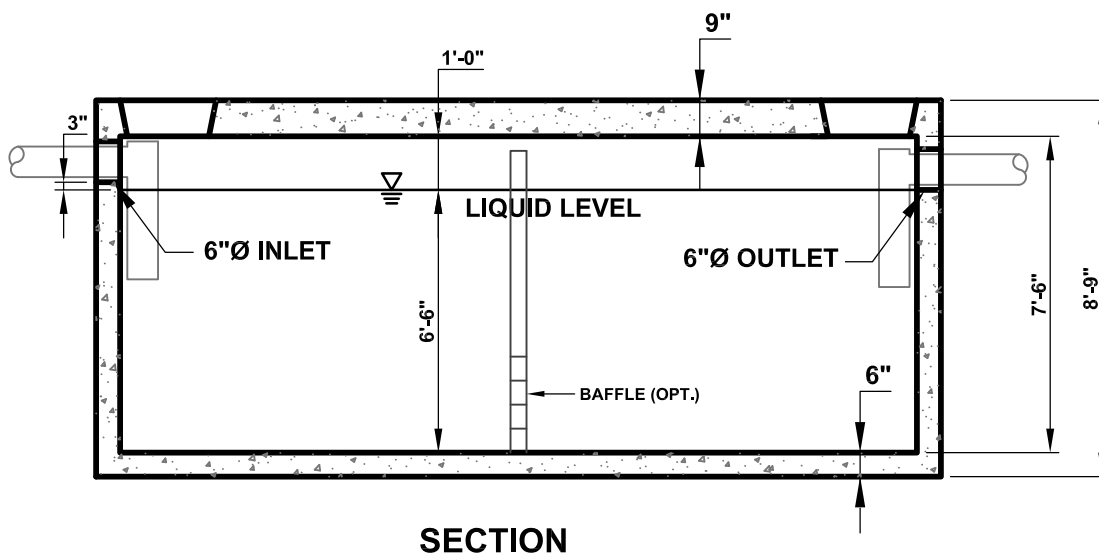
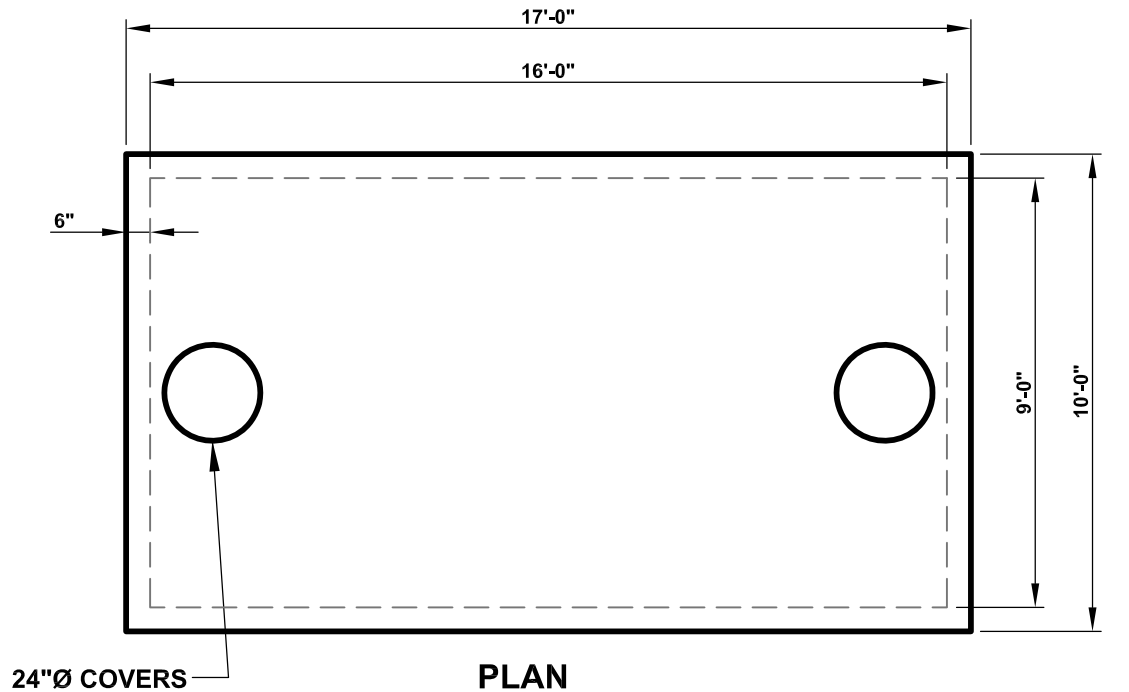
150 HIGGINSON AVENUE - LINCOLN, RI 02865 - Phone (401) 723-7100 - Fax (401) 723-6866

**NPCA**  
CERTIFIED PLANT

# DURASTONE

150 HIGGINSON AVENUE - LINCOLN, RI 02865 - Phone (401) 723-7100 - Fax (401) 723-6866

## 7,000 GALLON SEPTIC TANK

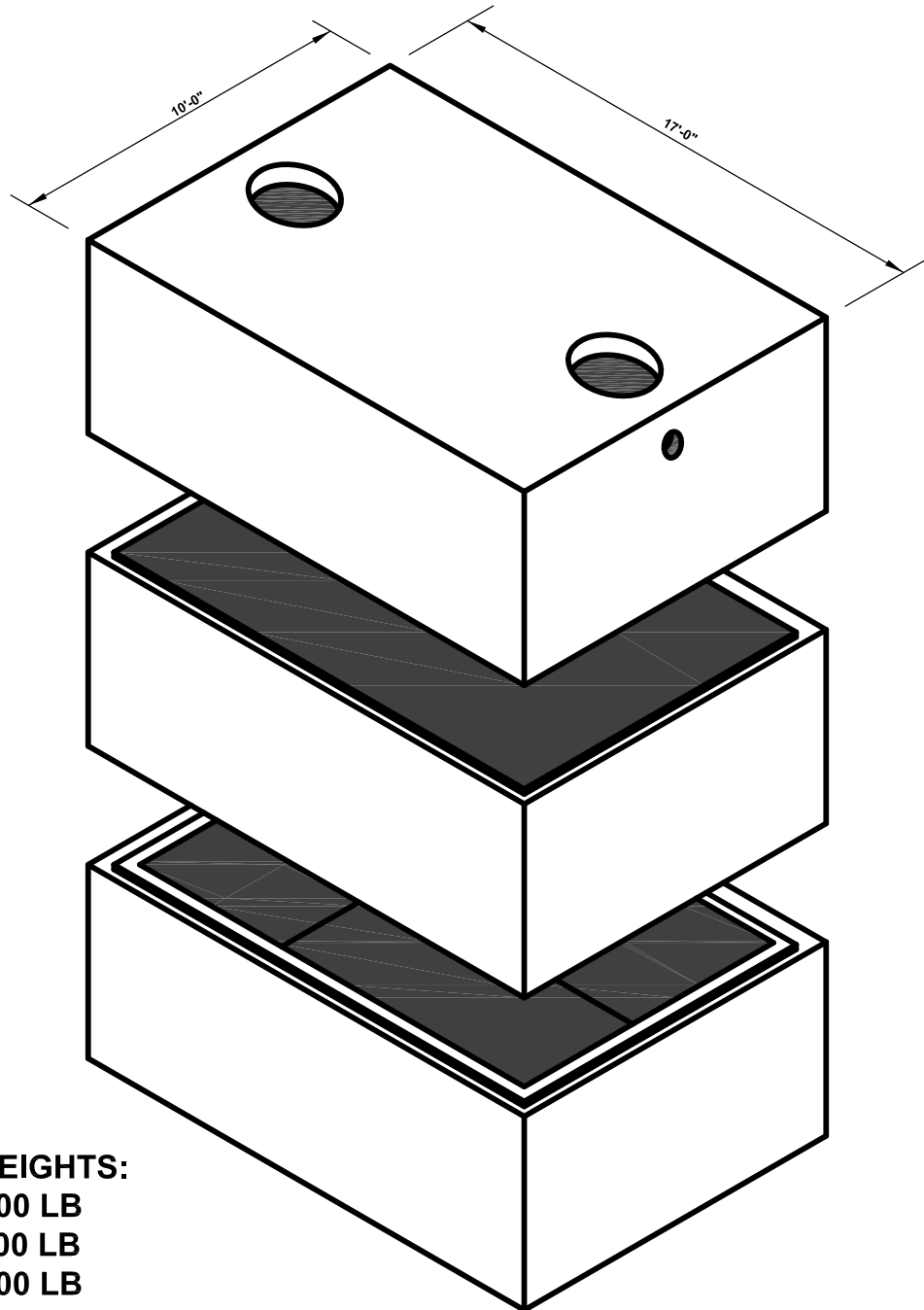


### STANDARD SPECIFICATIONS

1. MINIMUM CONCRETE COMPRESSIVE STRENGTH:  $F'_c = 5,000$  PSI
2. REINFORCEMENT: ASTM A615 GRADE 60, MINIMUM 1" COVER
3. DESIGN & DETAILING CODE: ACI318 (UNLESS OTHERWISE SPECIFIED)
4. AASHTO HS20 LIVE LOAD
5. JOINT SEALANT: 1" BUTYL RUBBER
6. APPURTENANCES: FURNISHED & INSTALLED BY OTHERS

# DURASTONE

## **8,000 GALLON SEPTIC TANK** **INTERIOR DIMENSIONS 16'x9'x8'-5"**



**APPROX. WEIGHTS:**  
**TOP: 29,400 LB**  
**RISER: 10,900 LB**  
**BASE: 23,700 LB**

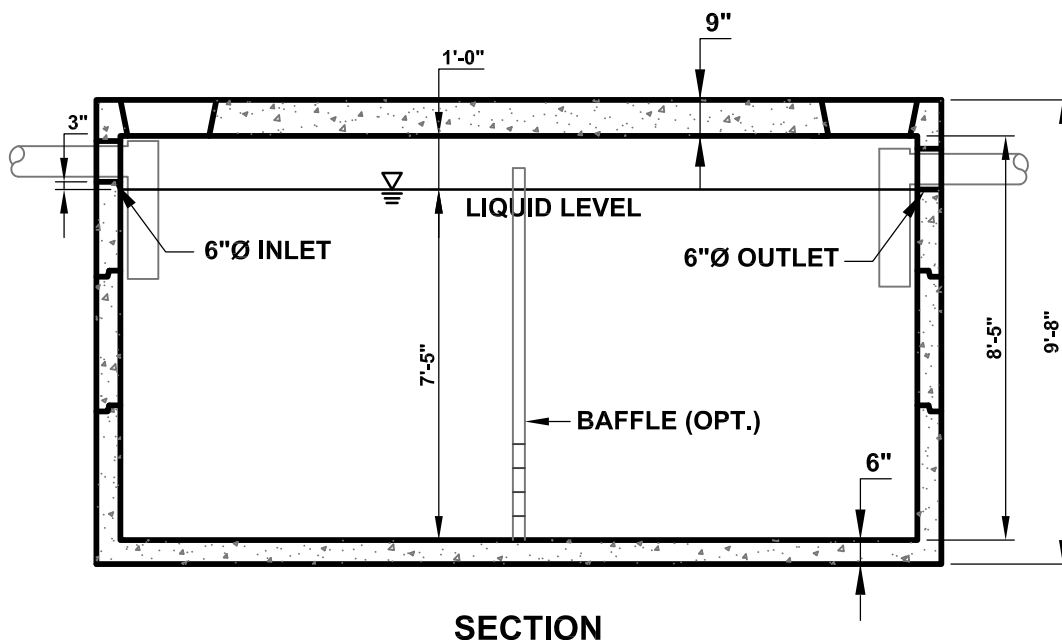
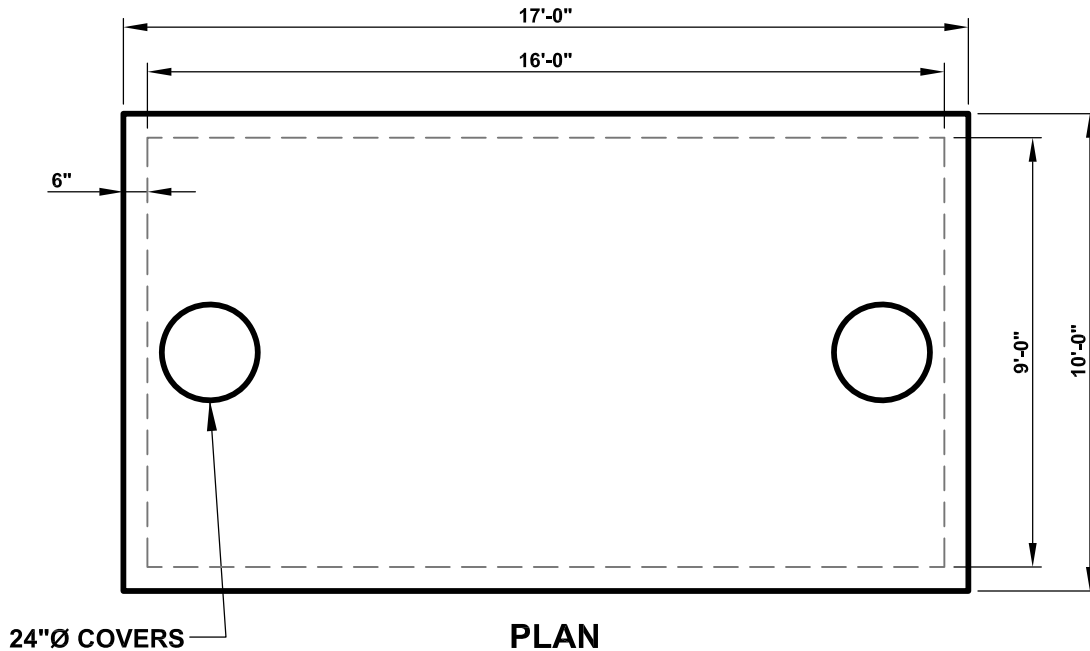
150 HIGGINSON AVENUE - LINCOLN, RI 02865 - Phone (401) 723-7100 - Fax (401) 723-6866

**NPCA**  
CERTIFIED PLANT

# DURASTONE

150 HIGGINSON AVENUE - LINCOLN, RI 02865 - Phone (401) 723-7100 - Fax (401) 723-6866

## 8,000 GALLON SEPTIC TANK

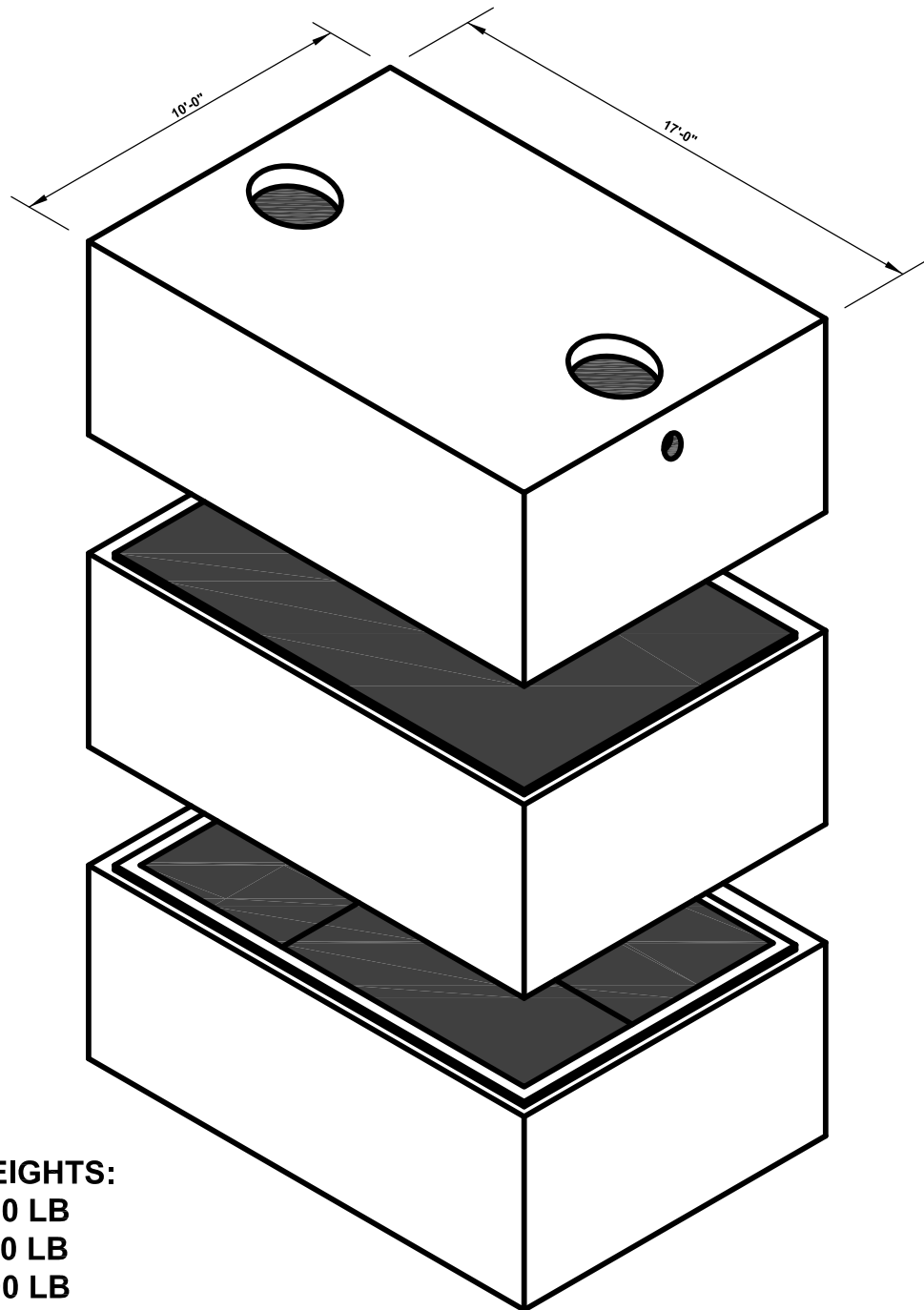


### STANDARD SPECIFICATIONS

1. MINIMUM CONCRETE COMPRESSIVE STRENGTH:  $F'_c = 5,000$  PSI
2. REINFORCEMENT: ASTM A615 GRADE 60, MINIMUM 1" COVER
3. DESIGN & DETAILING CODE: ACI318 (UNLESS OTHERWISE SPECIFIED)
4. AASHTO HL93 LIVE LOAD
5. JOINT SEALANT: 1" BUTYL RUBBER
6. APPURTENANCES: FURNISHED & INSTALLED BY OTHERS

# DURASTONE

## **9,000 GALLON SEPTIC TANK** **INTERIOR DIMENSIONS 16'x9'x9'-4"**



**APPROX. WEIGHTS:**  
**TOP: 30,600 LB**  
**RISER: 12,100 LB**  
**BASE: 24,900 LB**

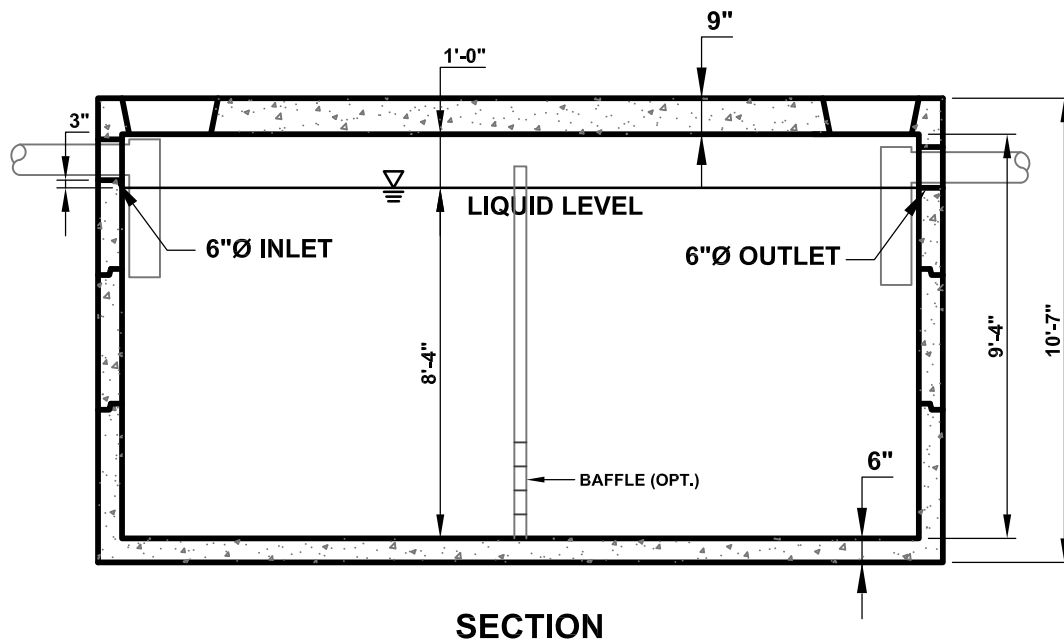
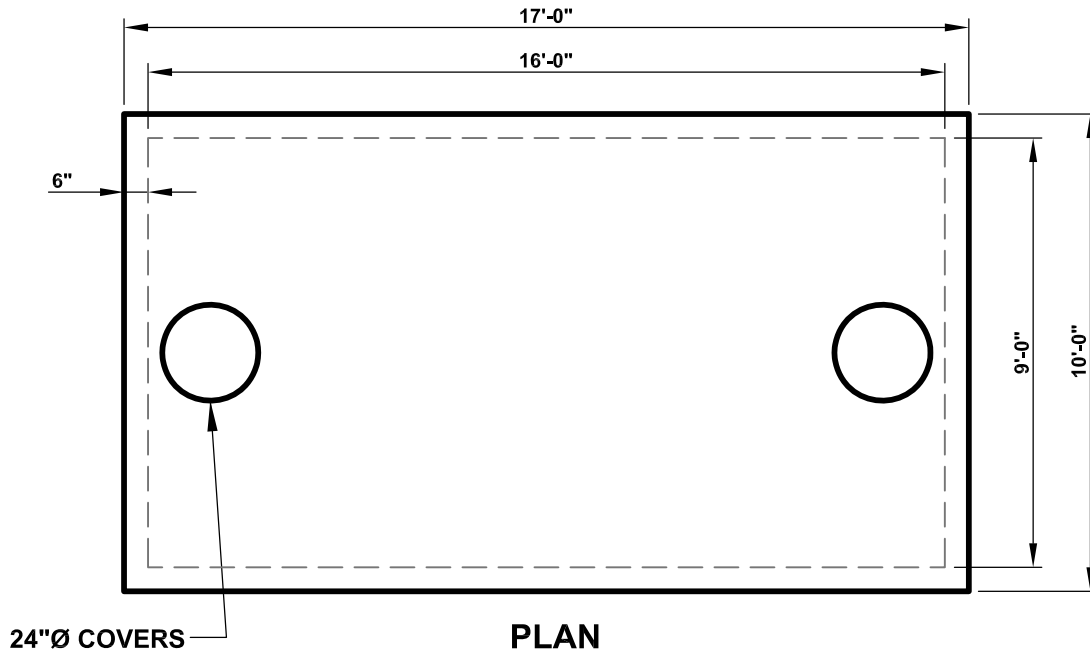
150 HIGGINSON AVENUE - LINCOLN, RI 02865 - Phone (401) 723-7100 - Fax (401) 723-6866

**NPCA**  
CERTIFIED PLANT

# DURASTONE

150 HIGGINSON AVENUE - LINCOLN, RI 02865 - Phone (401) 723-7100 - Fax (401) 723-6866

## 9,000 GALLON SEPTIC TANK



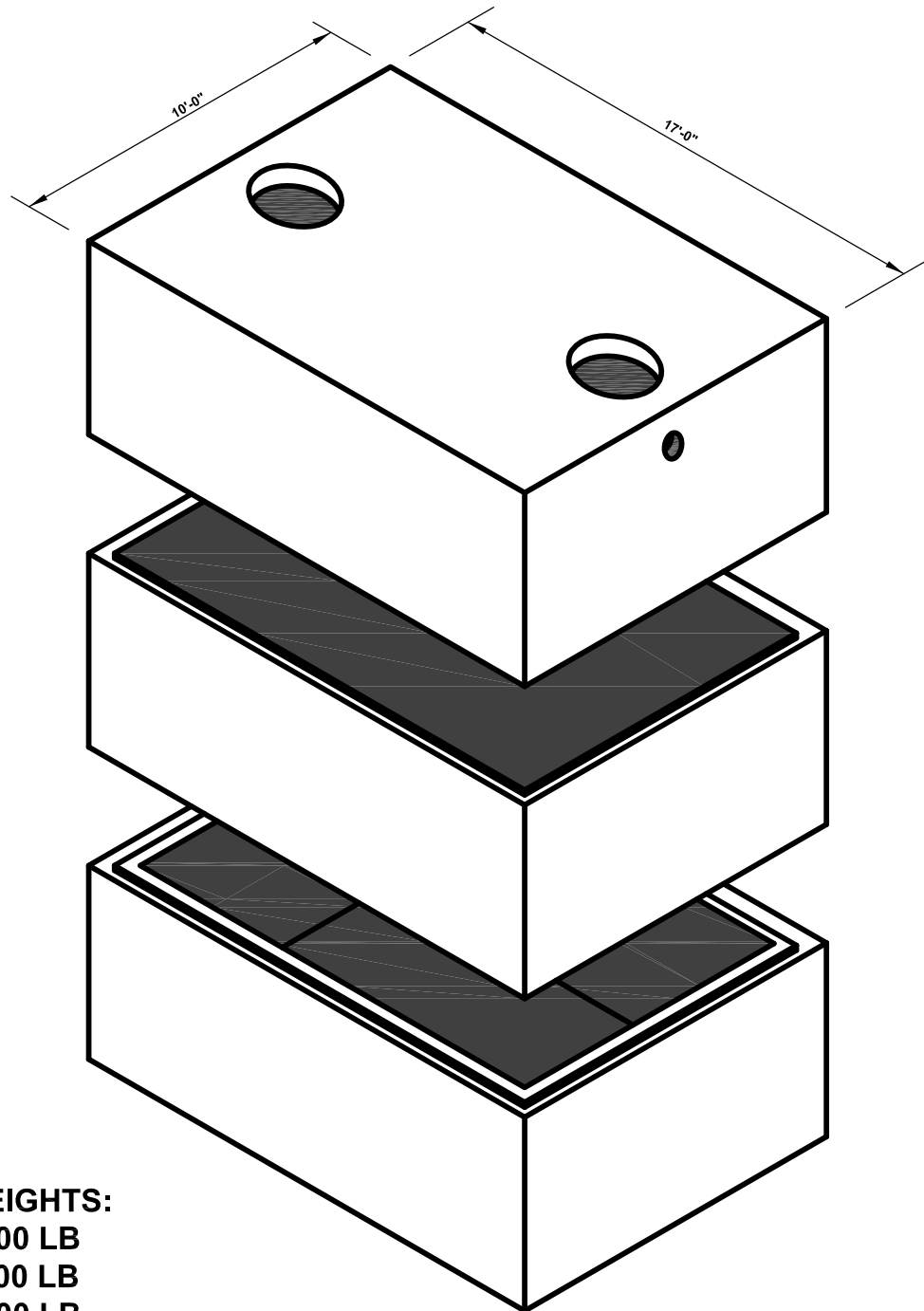
### STANDARD SPECIFICATIONS

1. MINIMUM CONCRETE COMPRESSIVE STRENGTH:  $F'_c = 5,000$  PSI
2. REINFORCEMENT: ASTM A615 GRADE 60, MINIMUM 1" COVER
3. DESIGN & DETAILING CODE: ACI318 (UNLESS OTHERWISE SPECIFIED)
4. AASHTO HL93 LIVE LOAD
5. JOINT SEALANT: 1" BUTYL RUBBER
6. APPURTENANCES: FURNISHED & INSTALLED BY OTHERS



# DURASTONE

## **10,000 GALLON SEPTIC TANK** **INTERIOR DIMENSIONS 16'x9'x10'-6"**



**APPROX. WEIGHTS:**  
**TOP: 32,100 LB**  
**RISER: 13,700 LB**  
**BASE: 26,400 LB**

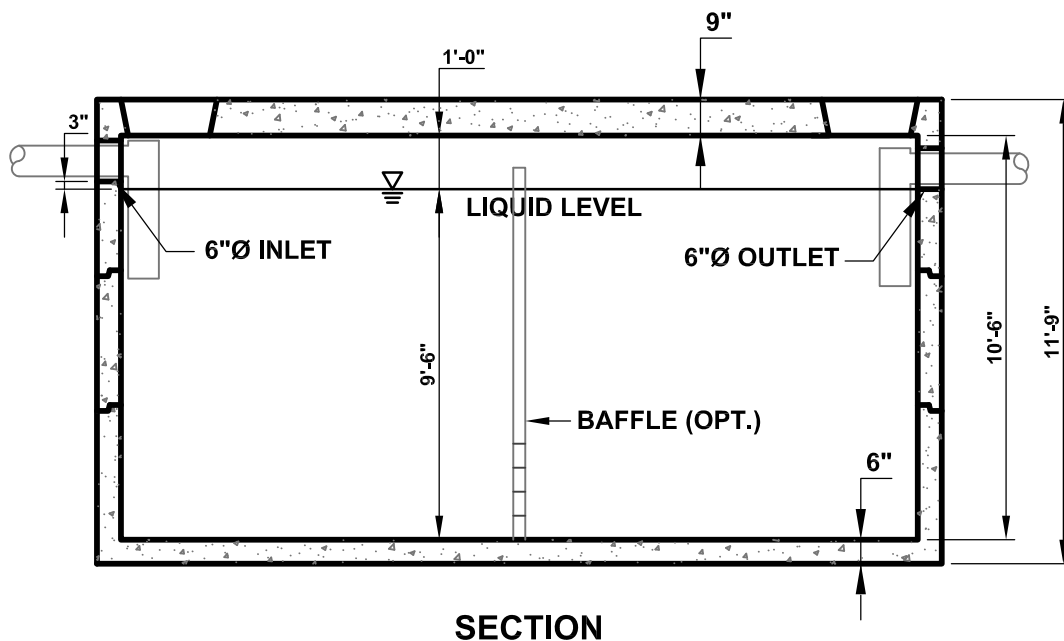
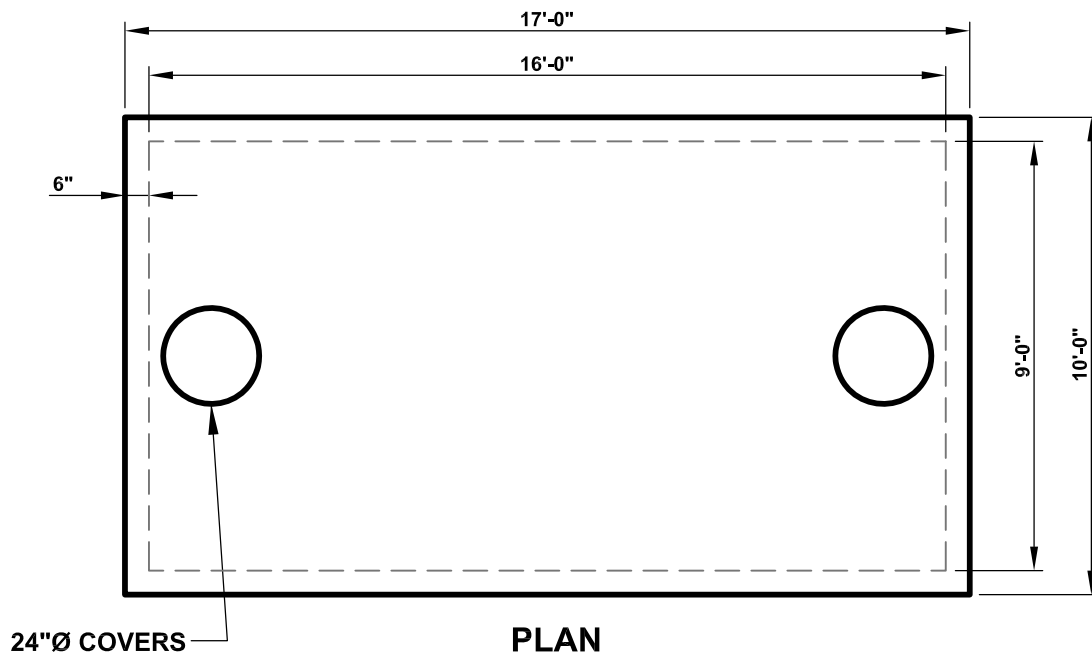
150 HIGGINSON AVENUE - LINCOLN, RI 02865 - Phone (401) 723-7100 - Fax (401) 723-6866

**NPCA**  
CERTIFIED PLANT

# DURASTONE

150 HIGGINSON AVENUE - LINCOLN, RI 02865 - Phone (401) 723-7100 - Fax (401) 723-6866

## 10,000 GALLON SEPTIC TANK

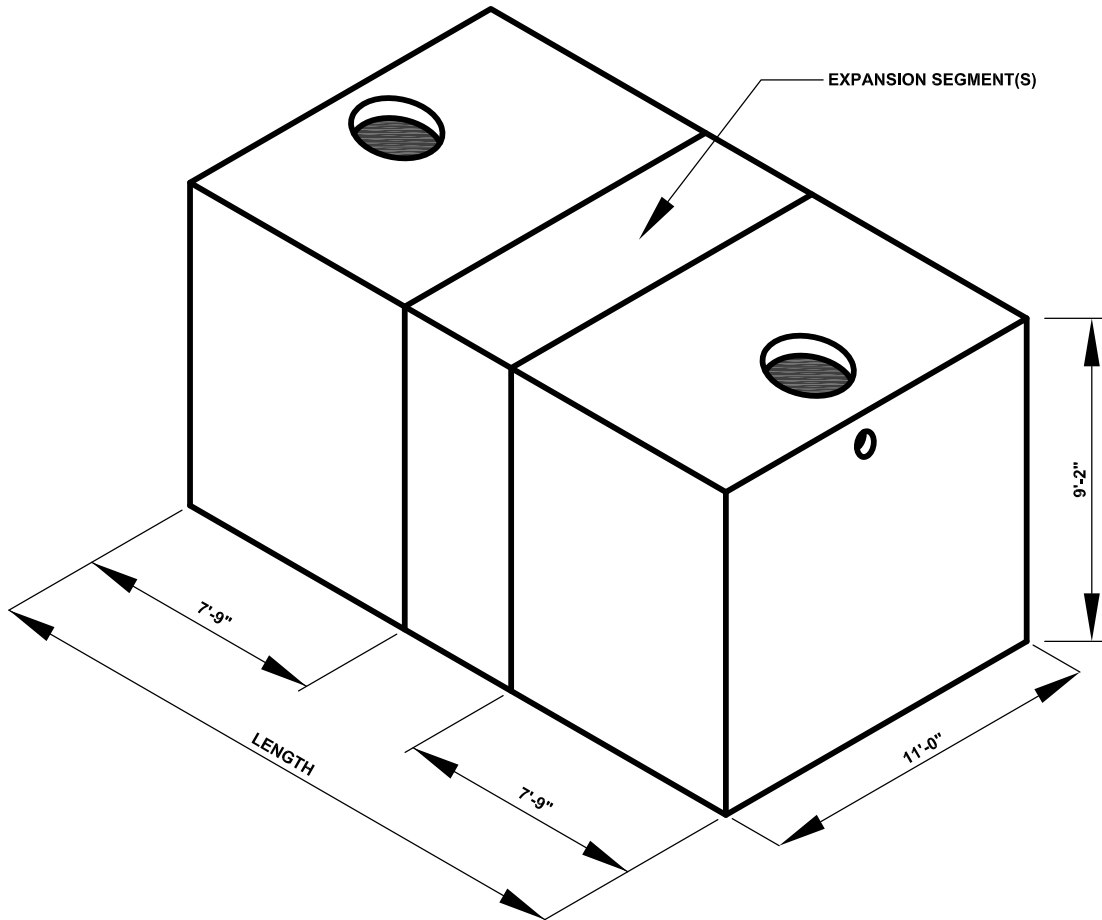


### STANDARD SPECIFICATIONS

1. MINIMUM CONCRETE COMPRESSIVE STRENGTH:  $F'_c = 5,000$  PSI
2. REINFORCEMENT: ASTM A615 GRADE 60, MINIMUM 1" COVER
3. DESIGN & DETAILING CODE: ACI318 (UNLESS OTHERWISE SPECIFIED)
4. AASHTO HL93 LIVE LOAD
5. JOINT SEALANT: 1" BUTYL RUBBER
6. APPURTENANCES: FURNISHED & INSTALLED BY OTHERS

# DURASTONE

## MODULAR SEPTIC TANK



CAPACITY (GALLONS)	LENGTH (FT.)	CAPACITY (GALLONS)	LENGTH (FT.)	CAPACITY (GALLONS)	LENGTH (FT.)
8,000	15.50	15,000	28.92	22,000	42.33
9,000	17.42	16,000	30.83	23,000	44.25
10,000	19.33	17,000	32.75	24,000	46.17
11,000	21.25	18,000	34.67	25,000	48.08
12,000	23.17	19,000	36.58	26,000	50.00
13,000	25.08	20,000	38.50	27,000	51.92
14,000	27.00	21,000	40.42	28,000	53.83

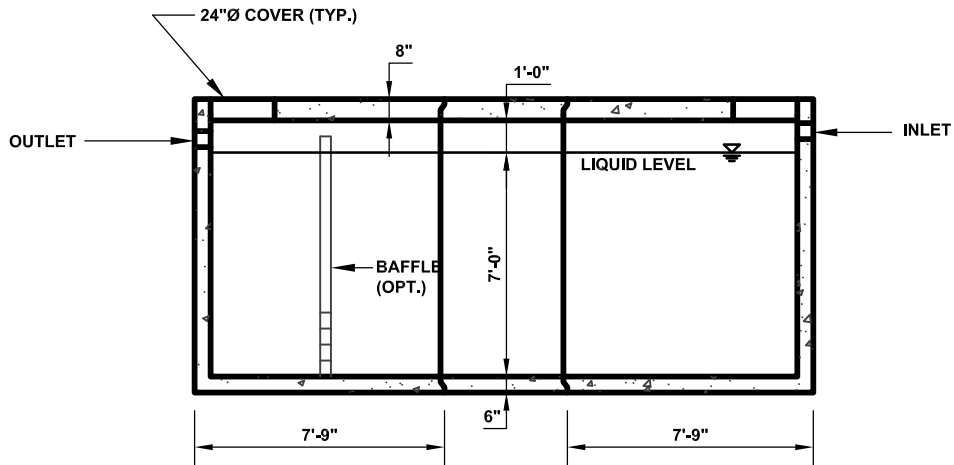
150 HIGGINSON AVENUE - LINCOLN, RI 02865 - Phone (401) 723-7100 - Fax (401) 723-6866

**NPCA**  
CERTIFIED PLANT

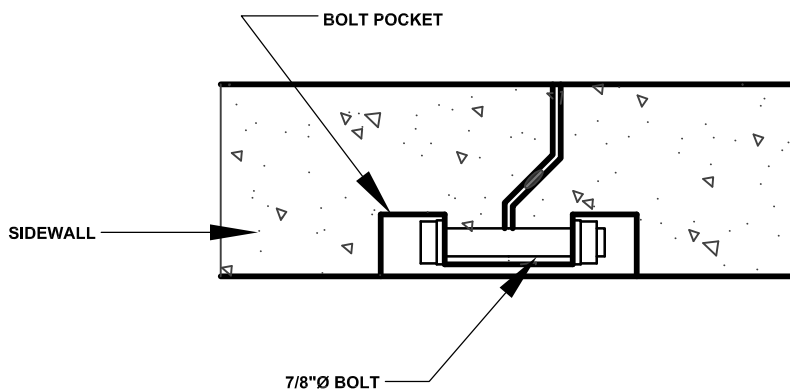
# DURASTONE

150 HIGGINSON AVENUE - LINCOLN, RI 02865 - Phone (401) 723-7100 - Fax (401) 723-6866

## MODULAR SEPTIC TANK



SECTION



TYPICAL BOLT CONNECTION

### STANDARD SPECIFICATIONS

1. MINIMUM CONCRETE COMPRESSIVE STRENGTH:  $f'_c = 5,000$  PSI
2. REINFORCEMENT: ASTM A615 GRADE 60, MINIMUM 1" COVER
3. DESIGN & DETAILING CODE: ACI318 (UNLESS OTHERWISE SPECIFIED)
4. AASHTO HS20 LIVE LOAD
5. JOINT SEALANT: 1" BUTYL RUBBER
6. APPURTENANCES: FURNISHED & INSTALLED BY OTHERS