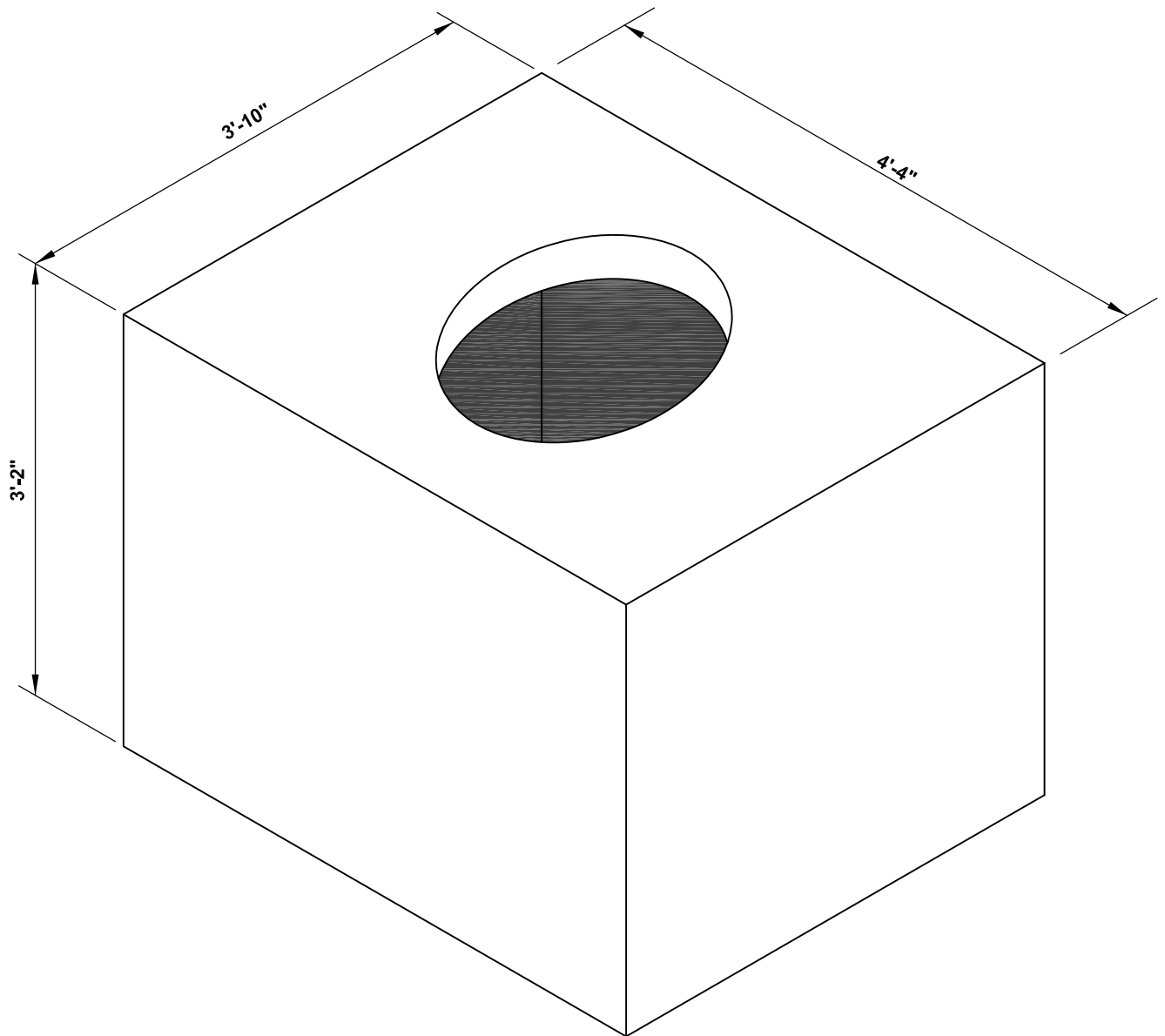


DURASTONE

UTILITY HANDHOLE "A"



APPROX. WEIGHT: 5,100 LB

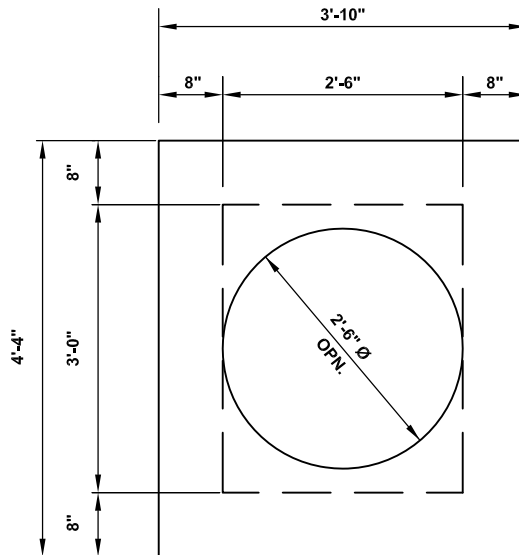
150 HIGGINSON AVENUE - LINCOLN, RI 02865 - Phone (401) 723-7100 - Fax (401) 723-6866

NPCA
CERTIFIED PLANT

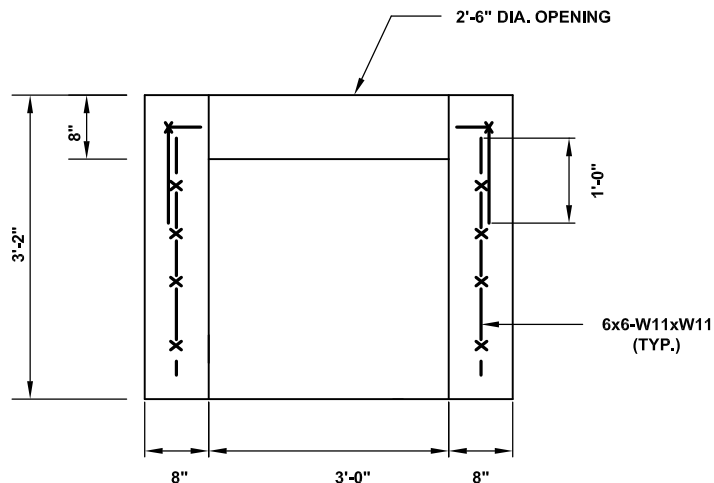
DURASTONE

150 HIGGINSON AVENUE - LINCOLN, RI 02865 - Phone (401) 723-7100 - Fax (401) 723-6866

UTILITY HANDHOLE "A"



PLAN



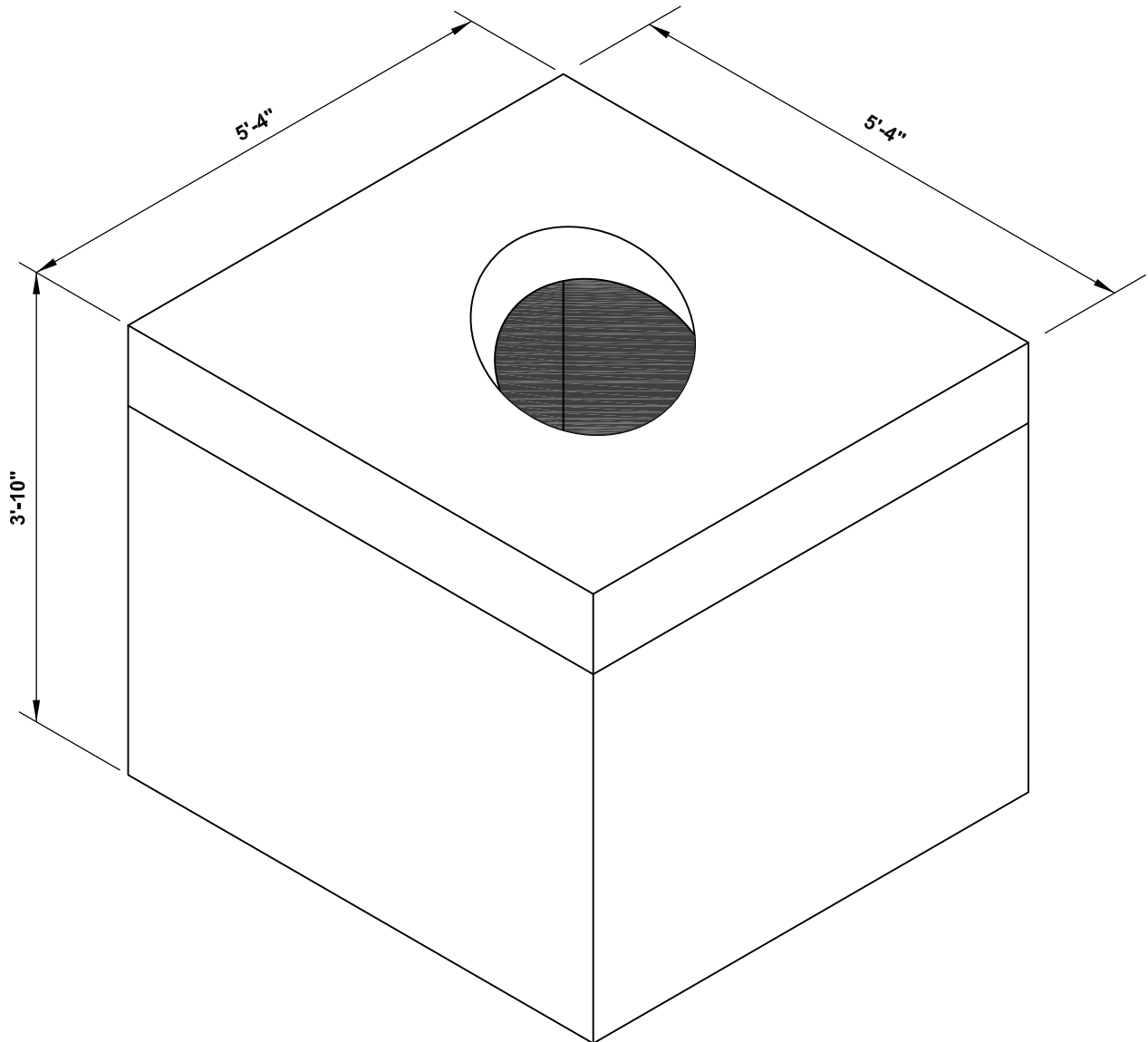
SECTION

STANDARD SPECIFICATIONS

- MINIMUM CONCRETE COMPRESSIVE STRENGTH: $F'_c = 5,000$ PSI
- REINFORCEMENT: ASTM A615 GRADE 60, MINIMUM 1" COVER
- DESIGN & DETAILING CODE: ACI318 (UNLESS OTHERWISE SPECIFIED)
- AASHTO HS20 LIVE LOAD
- OPENINGS: NUMBER, LOCATION & SIZE OF CONDUITS AS REQUIRED.

DURASTONE

UTILITY HANDHOLE "B"



APPROX. WEIGHT:

TOP: 1,700 LB

BASE: 7,500 LB

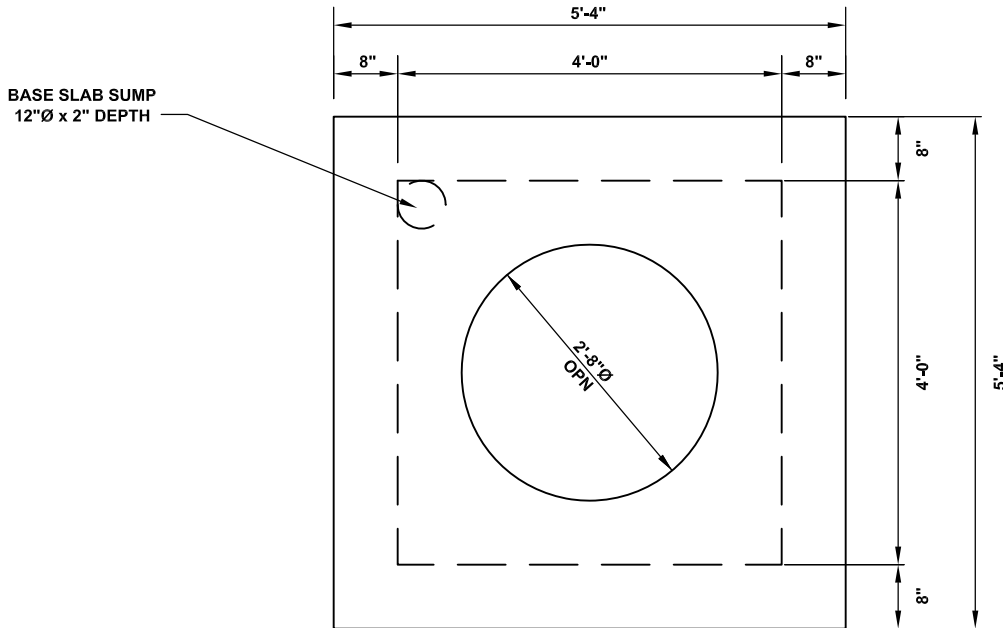
150 HIGGINSON AVENUE - LINCOLN, RI 02865 - Phone (401) 723-7100 - Fax (401) 723-6866

NPCA
CERTIFIED PLANT

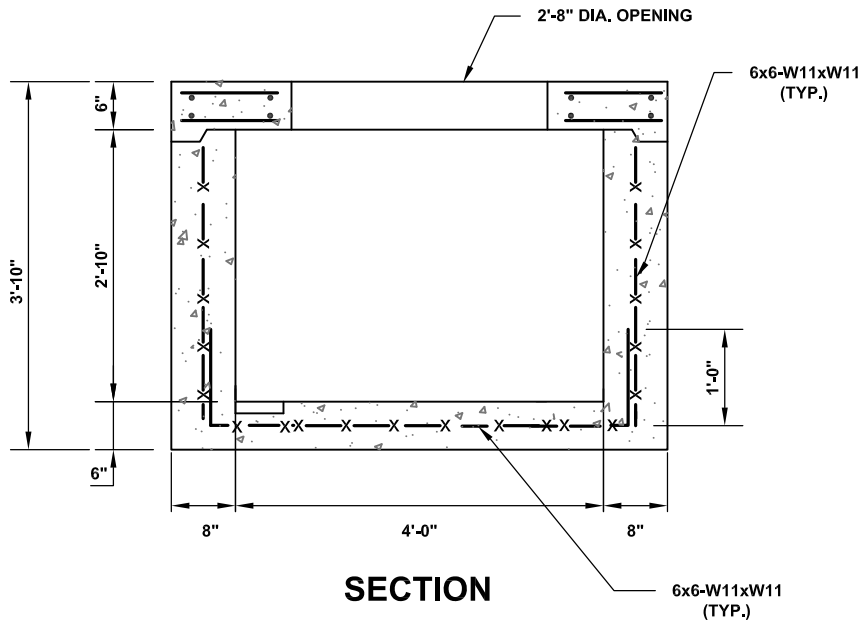
DURASTONE

150 HIGGINSON AVENUE - LINCOLN, RI 02865 - Phone (401) 723-7100 - Fax (401) 723-6866

UTILITY HANDHOLE "B"



PLAN



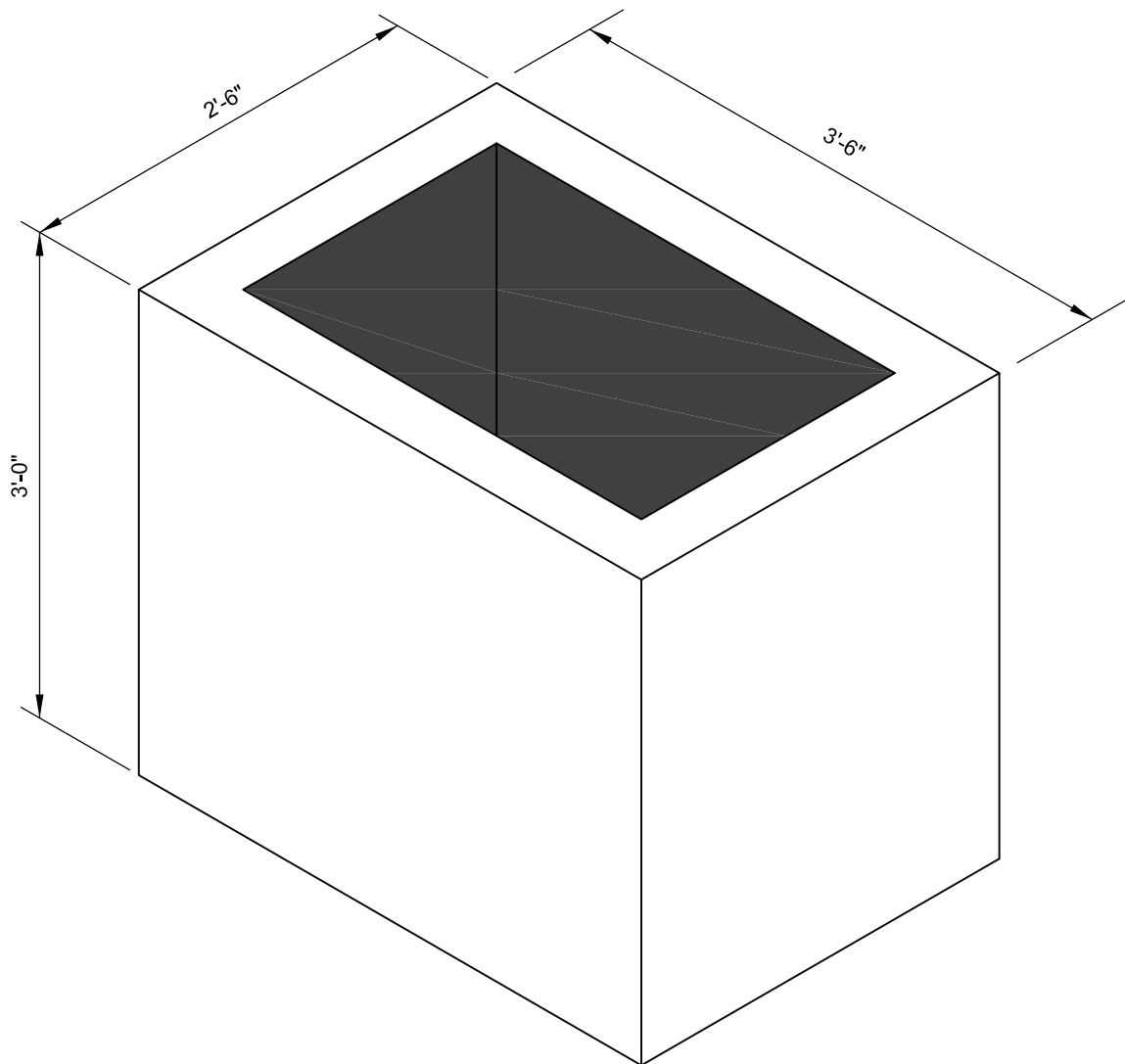
SECTION

STANDARD SPECIFICATIONS

- MINIMUM CONCRETE COMPRESSIVE STRENGTH: $F'_c = 5,000$ PSI
- REINFORCEMENT: ASTM A615 GRADE 60, MINIMUM 1" COVER
- DESIGN & DETAILING CODE: ACI318 (UNLESS OTHERWISE SPECIFIED)
- AASHTO HS20 LIVE LOAD
- OPENINGS: NUMBER, LOCATION & SIZE AS REQUIRED.

DURASTONE

UTILITY HANDHOLE "C"



APPROX. WEIGHT: 1,600 LB

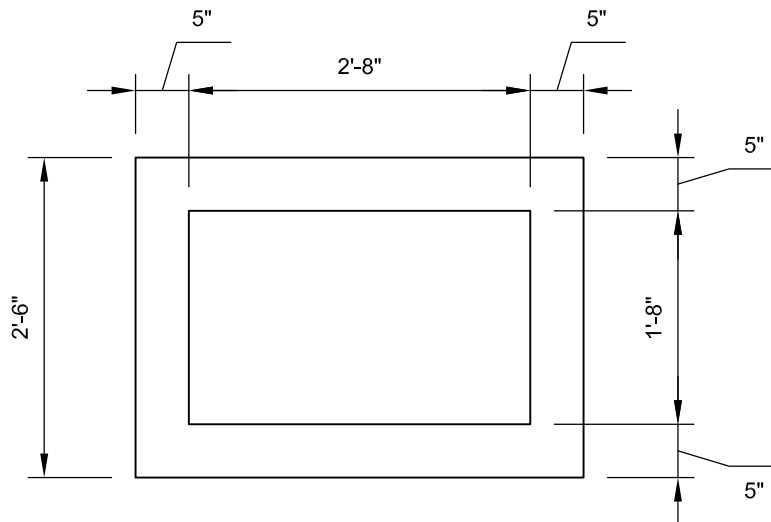
150 HIGGINSON AVENUE - LINCOLN, RI 02865 - Phone (401) 723-7100 - Fax (401) 723-6866

NPCA
CERTIFIED PLANT

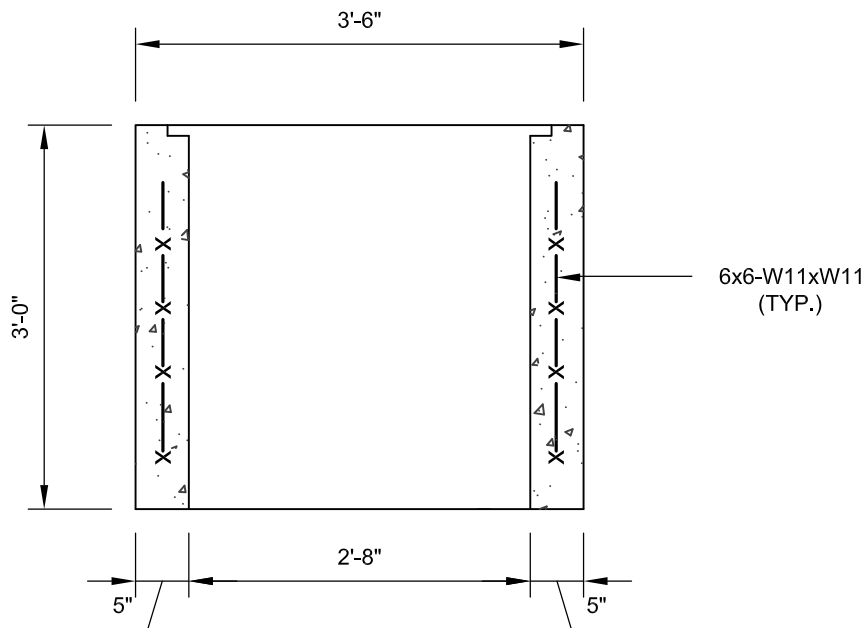
DURASTONE

150 HIGGINSON AVENUE - LINCOLN, RI 02865 - Phone (401) 723-7100 - Fax (401) 723-6866

UTILITY HANDHOLE "C"



PLAN



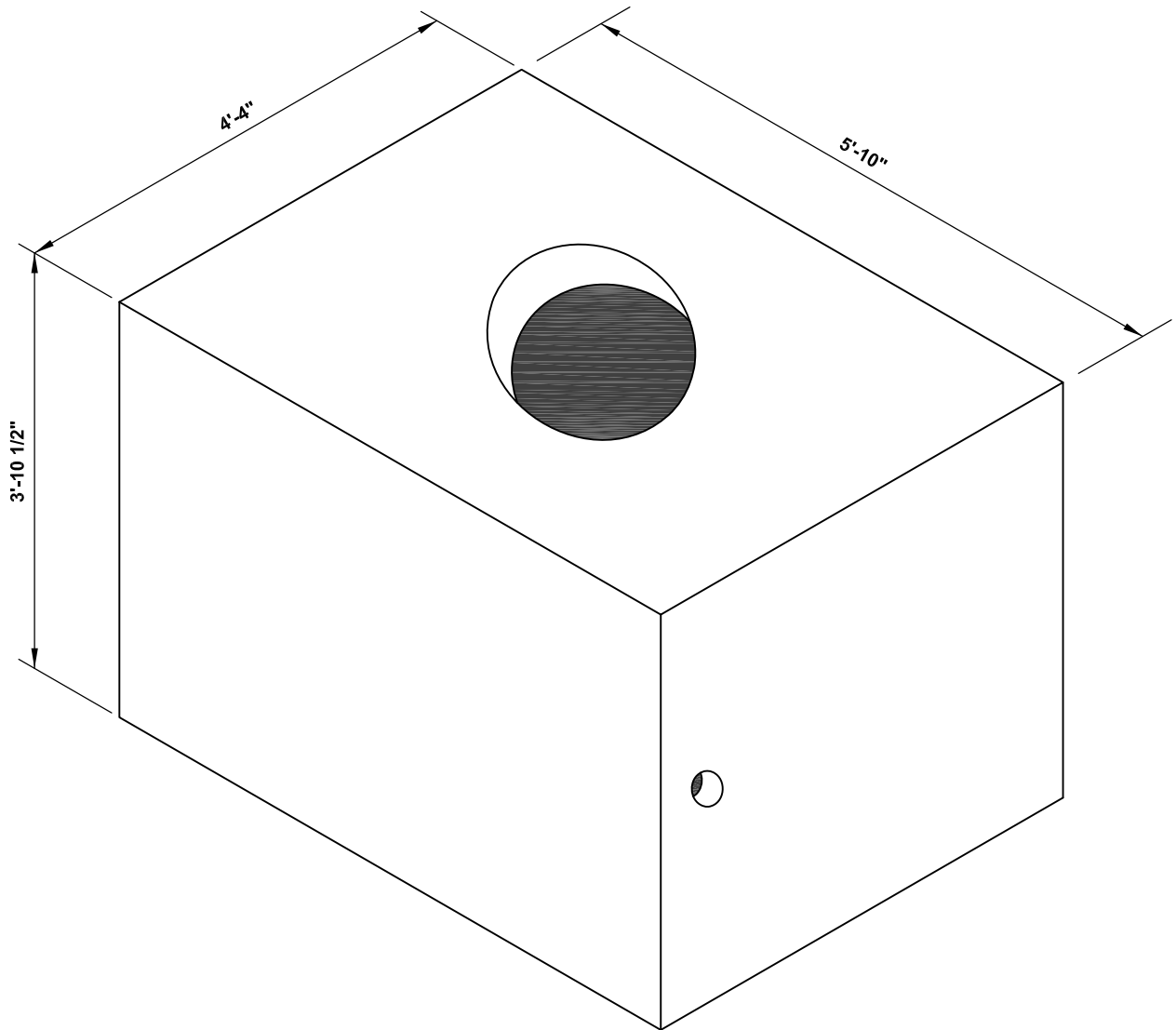
SECTION

STANDARD SPECIFICATIONS

- MINIMUM CONCRETE COMPRESSIVE STRENGTH: $F'_c = 5,000$ PSI
- REINFORCEMENT: ASTM A615 GRADE 60, MINIMUM 1" COVER
- DESIGN & DETAILING CODE: ACI318 (UNLESS OTHERWISE SPECIFIED)
- AASHTO HS20 LIVE LOAD
- OPENINGS: NUMBER, LOCATION & SIZE OF CONDUITS AS REQUIRED.

DURASTONE

HEAVY DUTY TYPE "H" HANDHOLE



APPROX. WEIGHT: 10,200 LB

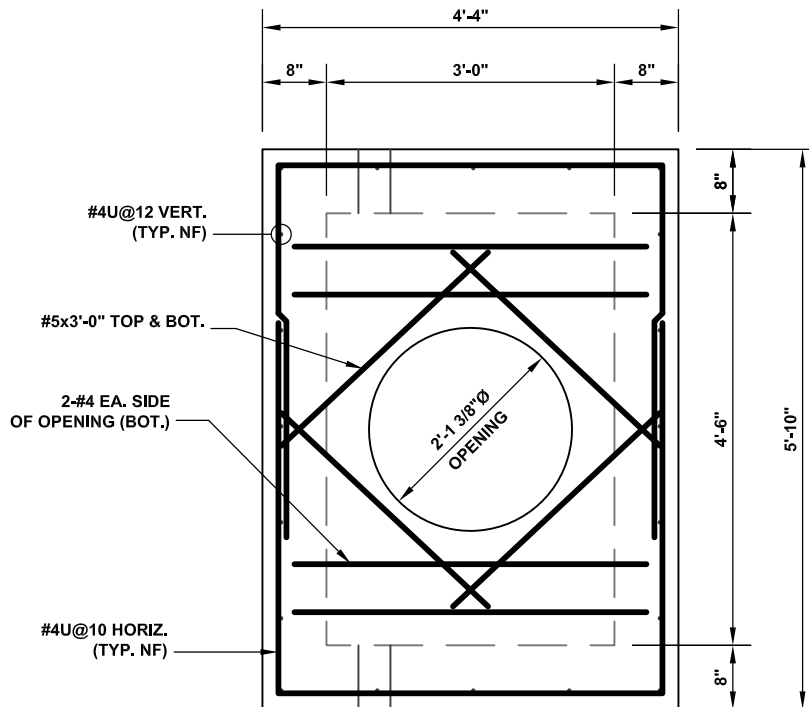
150 HIGGINSON AVENUE - LINCOLN, RI 02865 - Phone (401) 723-7100 - Fax (401) 723-6866

NPCA
CERTIFIED PLANT

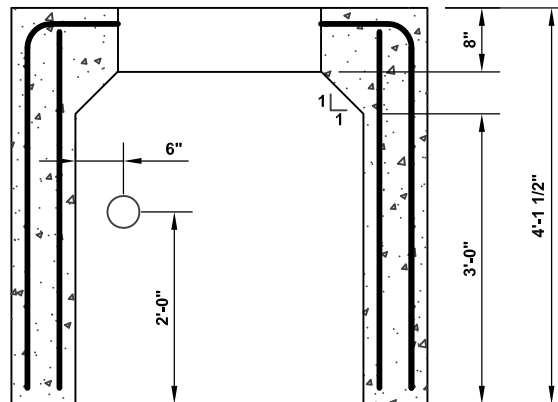
DURASTONE

150 HIGGINSON AVENUE - LINCOLN, RI 02865 - Phone (401) 723-7100 - Fax (401) 723-6866

HEAVY DUTY TYPE "H" HANDHOLE



PLAN



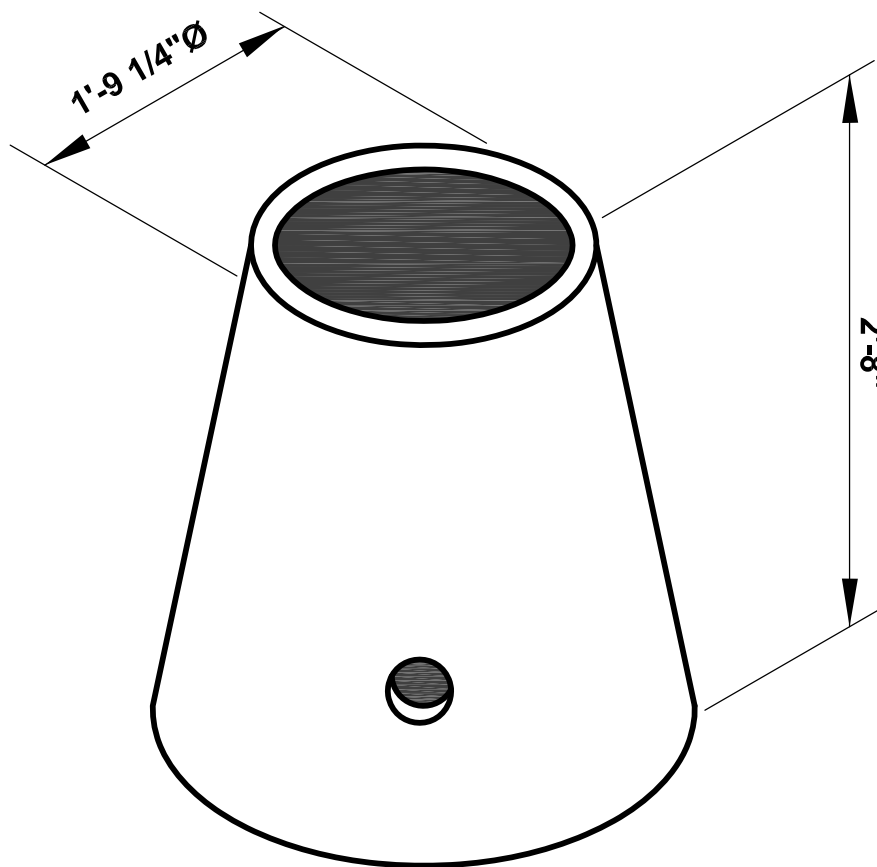
SECTION

STANDARD SPECIFICATIONS

1. MINIMUM CONCRETE COMPRESSIVE STRENGTH: $f'_c = 5,000$ PSI
2. REINFORCEMENT: ASTM A615 GRADE 60, MINIMUM 1" COVER
3. DESIGN & DETAILING CODE: ACI318 (UNLESS OTHERWISE SPECIFIED)
4. AASHTO HS20 LIVE LOAD
5. CONFORMS TO RHODE ISLAND STANDARD 18.2.2
6. OPENINGS: NUMBER, LOCATION & SIZE AS REQUIRED.

DURASTONE

TYPE "A" HANDHOLE



APPROX. WEIGHT: 450 LB

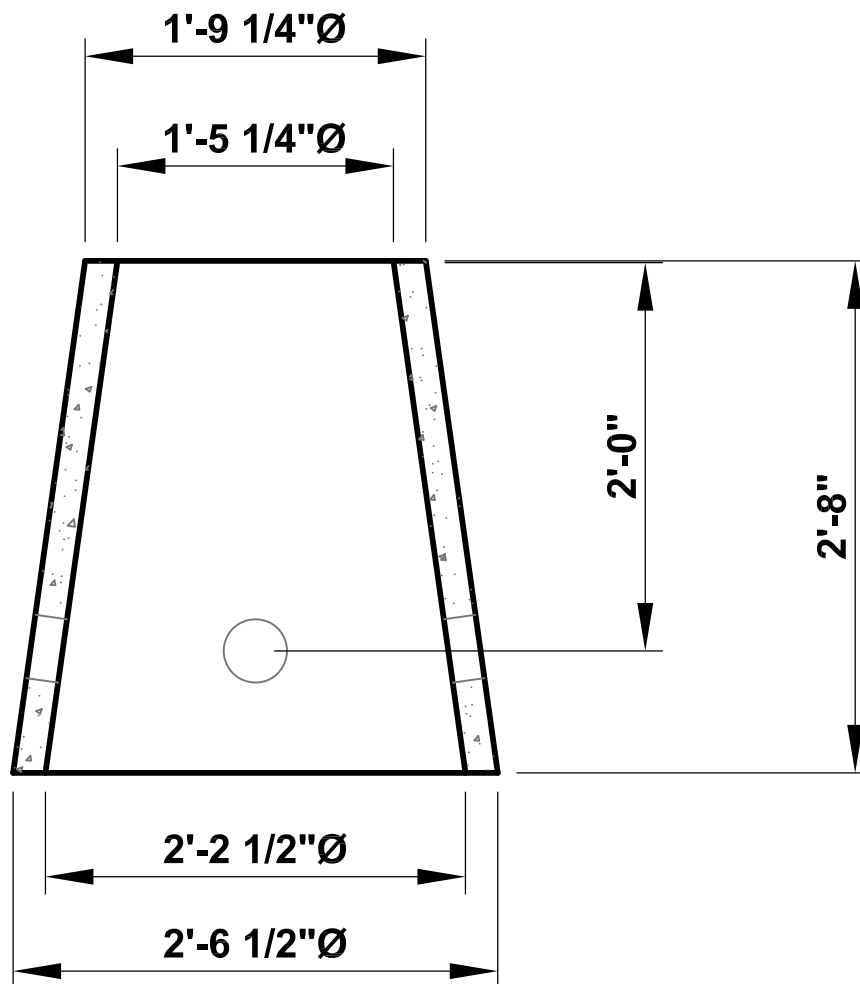
150 HIGGINSON AVENUE - LINCOLN, RI 02865 - Phone (401) 723-7100 - Fax (401) 723-6866

NPCA
CERTIFIED PLANT

DURASTONE

150 HIGGINSON AVENUE - LINCOLN, RI 02865 - Phone (401) 723-7100 - Fax (401) 723-6866

TYPE "A" HANDHOLE



SECTION

STANDARD SPECIFICATIONS

1. MINIMUM CONCRETE COMPRESSIVE STRENGTH: $f_c = 4,000$ PSI.
2. DESIGN & DETAILING CODE: ACI318 (UNLESS OTHERWISE SPECIFIED).
3. MINIMUM REINFORCEMENT 0.058 SQ. IN./LF.
4. CONFORMS TO RHODE ISLAND STANDARD 18.2.0.
5. OPENINGS: 4 - 4" KNOCKOUTS.