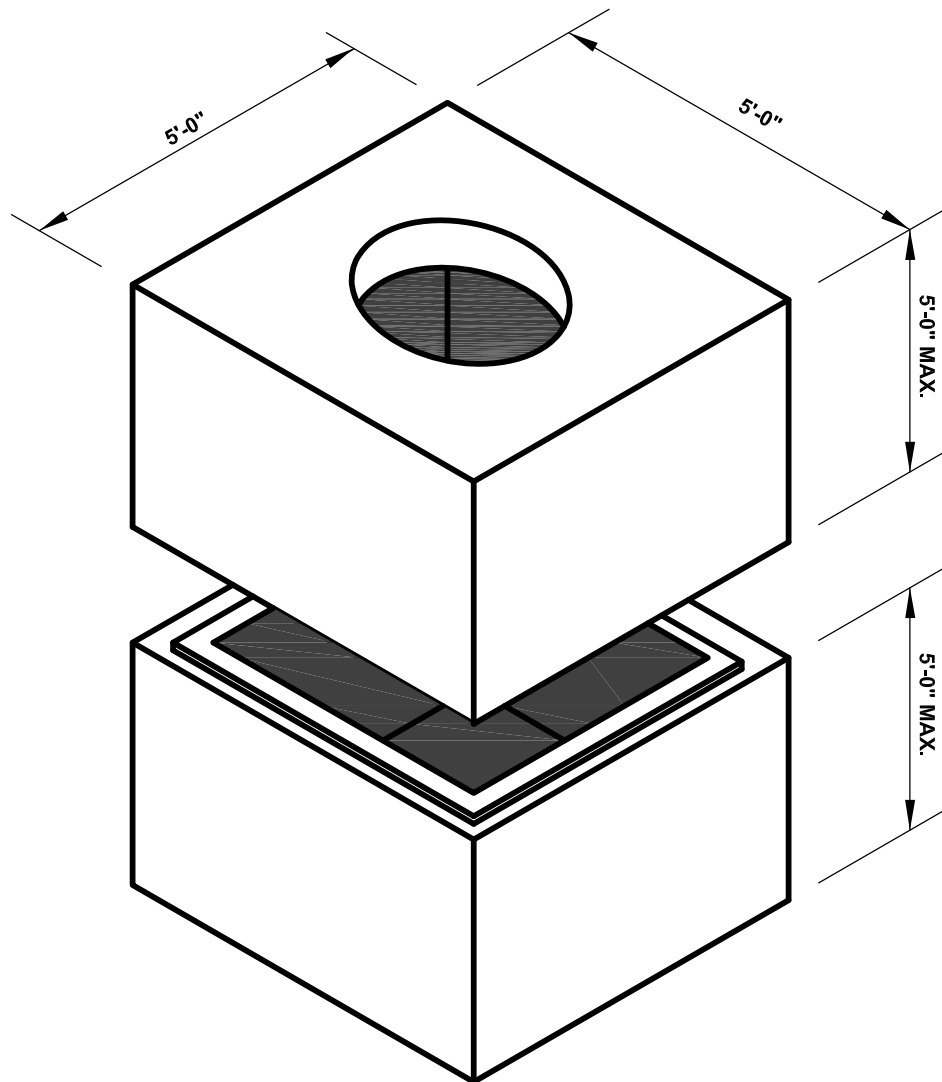


# DURASTONE

## 4'x4' UTILITY MANHOLE



**APPROX. WEIGHT: 15,400 LB  
AT MAX. HEIGHT W/O RISER**

INTERMEDIATE RISER SEGMENTS MAY BE  
SPECIFIED TO PROVIDE ADDITIONAL DEPTH

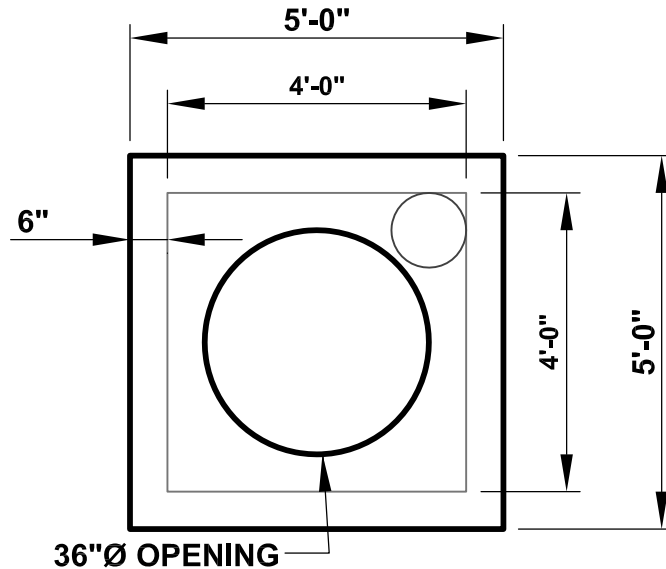
150 HIGGINSON AVENUE - LINCOLN, RI 02865 - Phone (401) 723-7100 - Fax (401) 723-6866

**NPCA**  
CERTIFIED PLANT

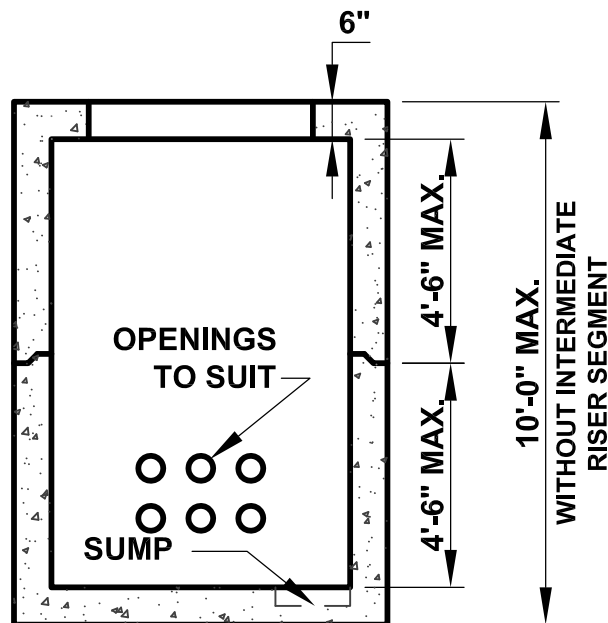
# DURASTONE

150 HIGGINSON AVENUE - LINCOLN, RI 02865 - Phone (401) 723-7100 - Fax (401) 723-6866

## 4'x4' UTILITY MANHOLE



PLAN



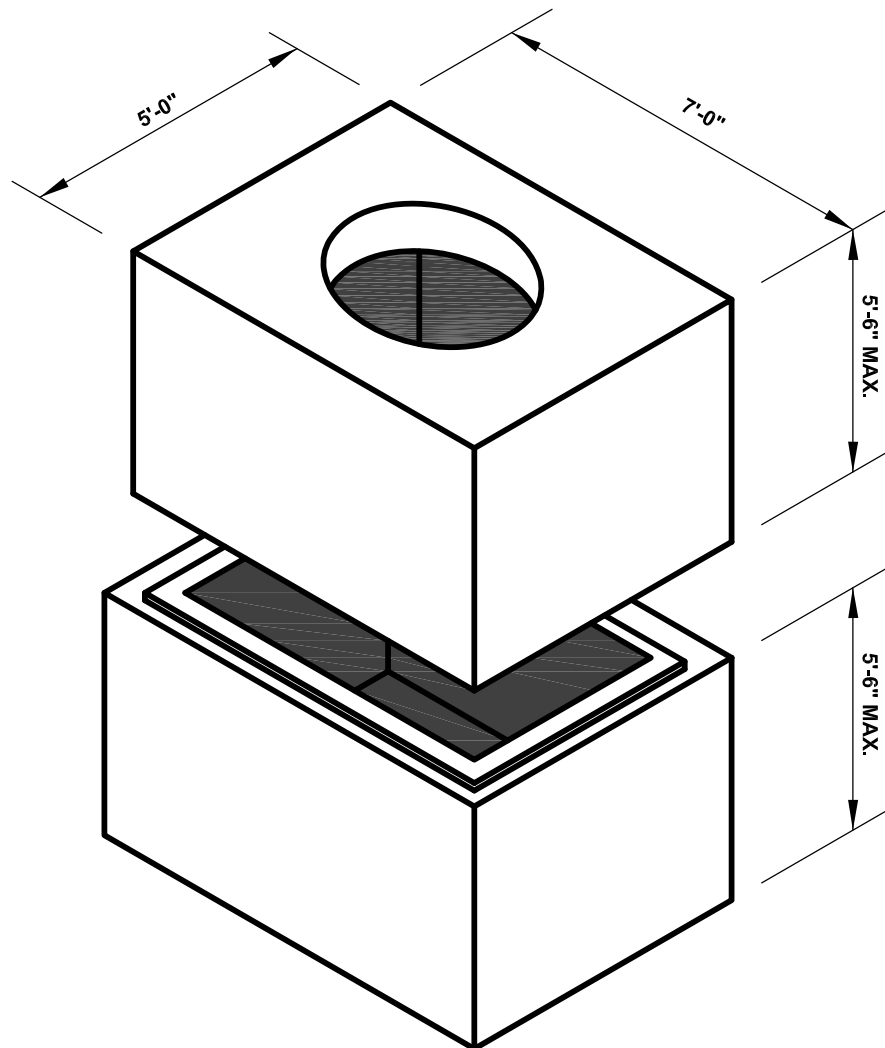
SECTION

### STANDARD SPECIFICATIONS

1. MINIMUM CONCRETE COMPRESSIVE STRENGTH:  $F'_c = 5,000$  PSI
2. REINFORCEMENT: ASTM A615 GRADE 60, MINIMUM 1" COVER
3. DESIGN & DETAILING CODE: ACI318 (UNLESS OTHERWISE SPECIFIED)
4. AASHTO HS20 LIVE LOAD
5. JOINT SEALANT: 1" BUTYL RUBBER
6. OPENINGS & PULLING IRONS: CAST TO SUIT

# DURASTONE

## 6'x4' UTILITY MANHOLE



**APPROX. WEIGHT: 26,300 LB  
AT MAX. HEIGHT W/O RISER**

INTERMEDIATE RISER SEGMENTS MAY BE  
SPECIFIED TO PROVIDE ADDITIONAL DEPTH

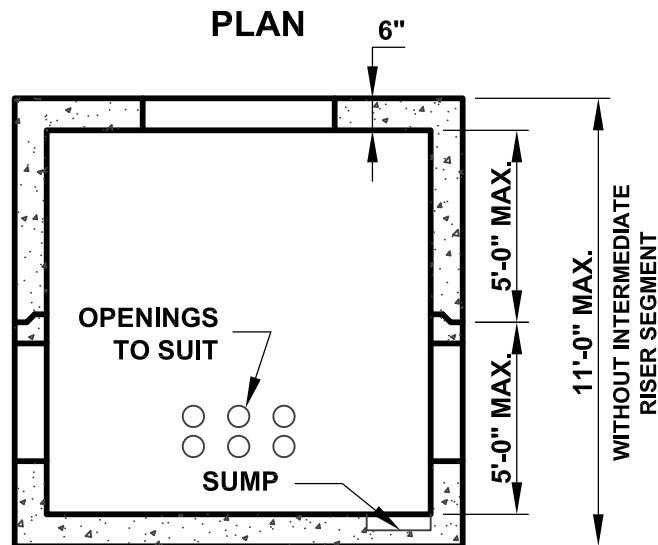
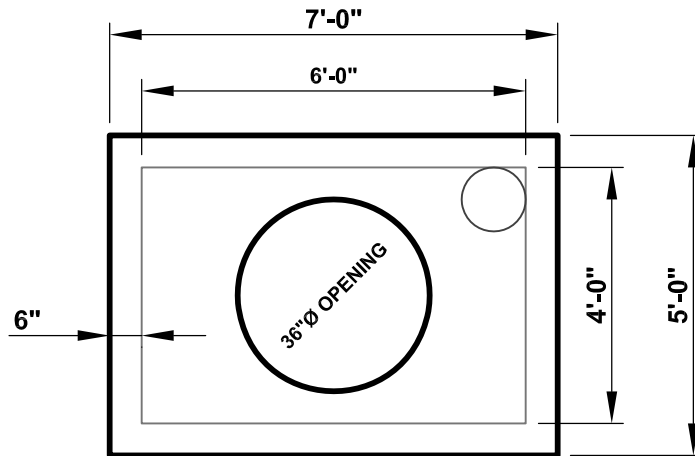
150 HIGGINSON AVENUE - LINCOLN, RI 02865 - Phone (401) 723-7100 - Fax (401) 723-6866

**NPCA**  
CERTIFIED PLANT

# DURASTONE

150 HIGGINSON AVENUE - LINCOLN, RI 02865 - Phone (401) 723-7100 - Fax (401) 723-6866

## 6'x4' UTILITY MANHOLE



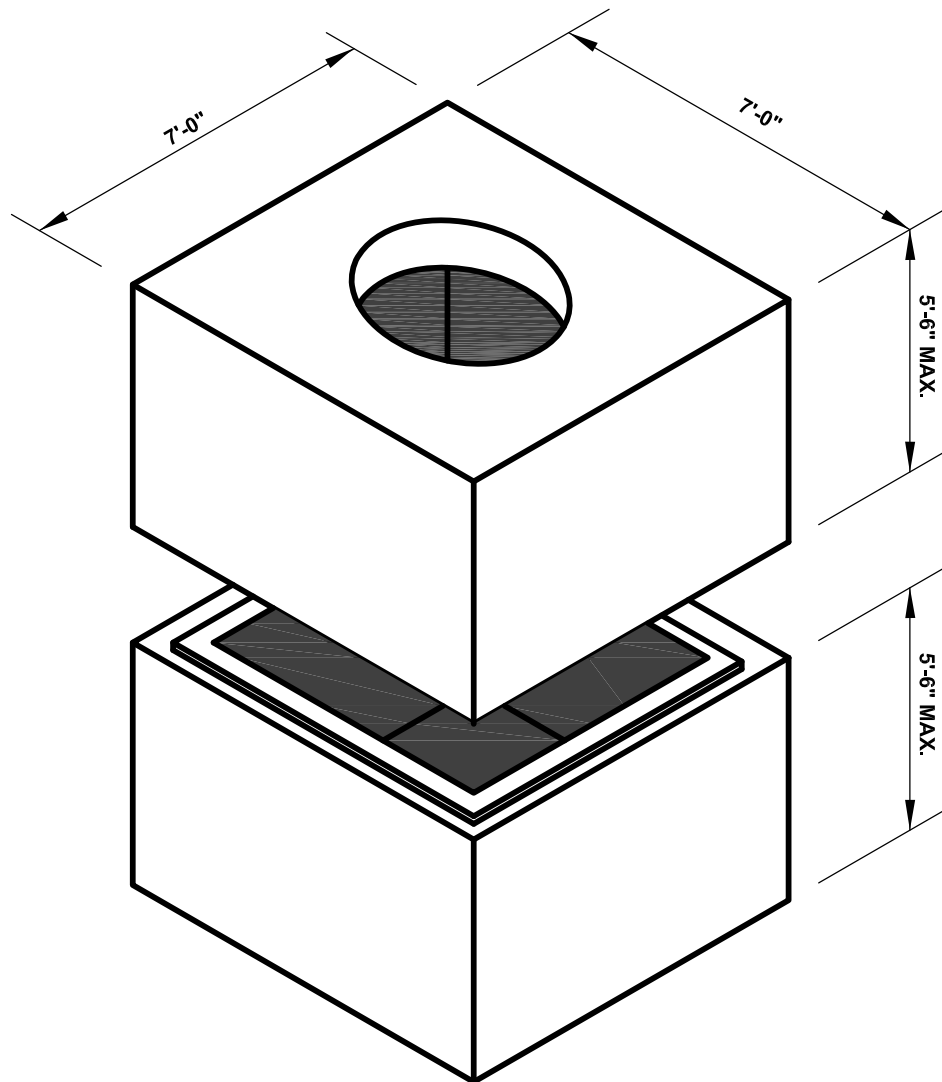
SECTION

### STANDARD SPECIFICATIONS

1. MINIMUM CONCRETE COMPRESSIVE STRENGTH:  $F'_c = 5,000$  PSI
2. REINFORCEMENT: ASTM A615 GRADE 60, MINIMUM 1" COVER
3. DESIGN & DETAILING CODE: ACI318 (UNLESS OTHERWISE SPECIFIED)
4. AASHTO HS20 LIVE LOAD
5. JOINT SEALANT: 1" BUTYL RUBBER
6. OPENINGS & PULLING IRONS: CAST TO SUIT

# DURASTONE

## 6'x6' UTILITY MANHOLE



**APPROX. WEIGHT: 26,300 LB  
AT MAX. HEIGHT W/O RISER**

INTERMEDIATE RISER SEGMENTS MAY BE  
SPECIFIED TO PROVIDE ADDITIONAL DEPTH

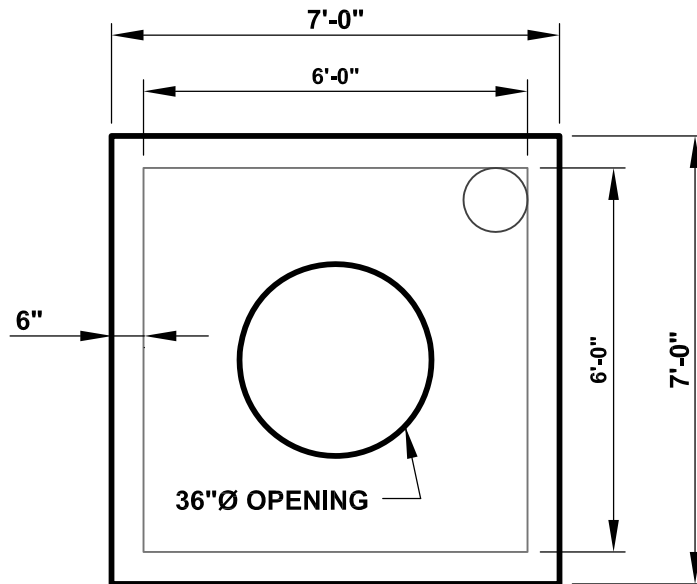
150 HIGGINSON AVENUE - LINCOLN, RI 02865 - Phone (401) 723-7100 - Fax (401) 723-6866

**NPCA**  
CERTIFIED PLANT

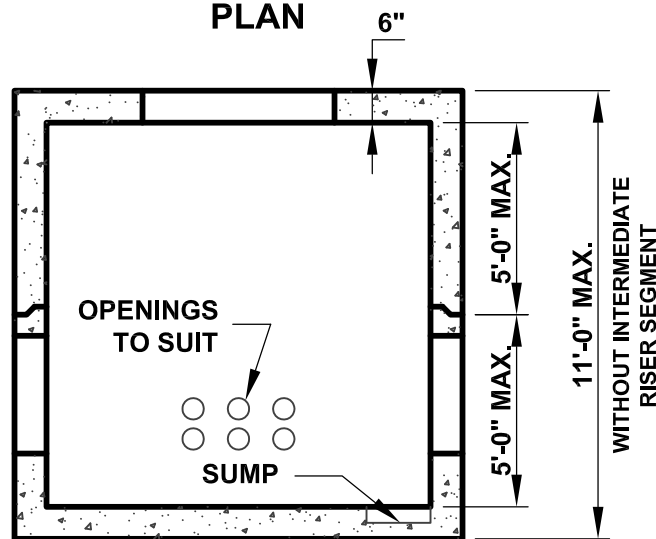
# DURASTONE

150 HIGGINSON AVENUE - LINCOLN, RI 02865 - Phone (401) 723-7100 - Fax (401) 723-6866

## 6'x6' UTILITY MANHOLE



PLAN



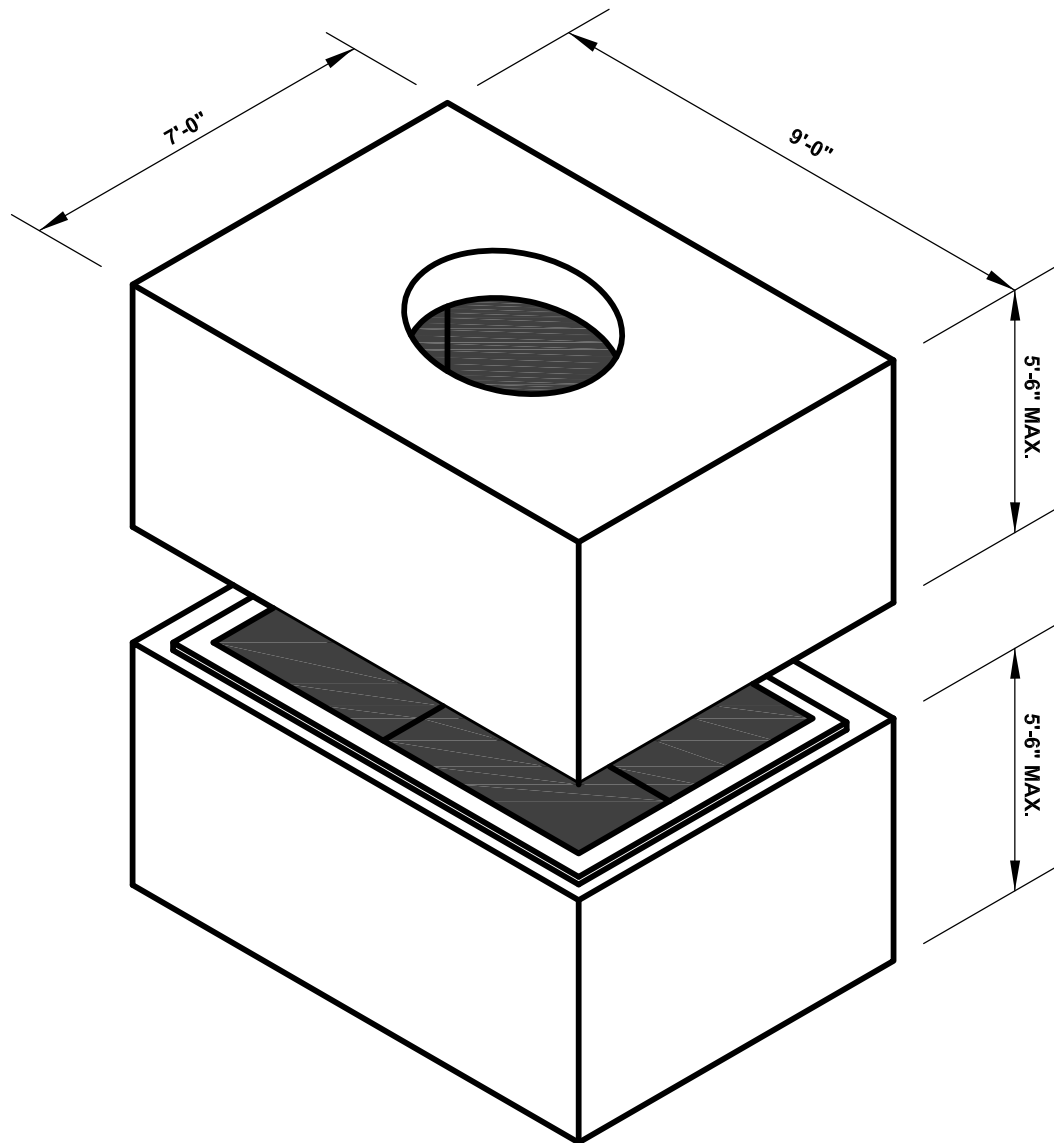
SECTION

### STANDARD SPECIFICATIONS

1. MINIMUM CONCRETE COMPRESSIVE STRENGTH:  $F'_c = 5,000$  PSI
2. REINFORCEMENT: ASTM A615 GRADE 60, MINIMUM 1" COVER
3. DESIGN & DETAILING CODE: ACI318 (UNLESS OTHERWISE SPECIFIED)
4. AASHTO HS20 LIVE LOAD
5. JOINT SEALANT: 1" BUTYL RUBBER
6. OPENINGS & PULLING IRONS: CAST TO SUIT

# DURASTONE

## 6'x8' UTILITY MANHOLE



**APPROX. WEIGHT: 31,400 LB  
AT MAX. HEIGHT W/O RISER**

INTERMEDIATE RISER SEGMENTS MAY BE  
SPECIFIED TO PROVIDE ADDITIONAL DEPTH

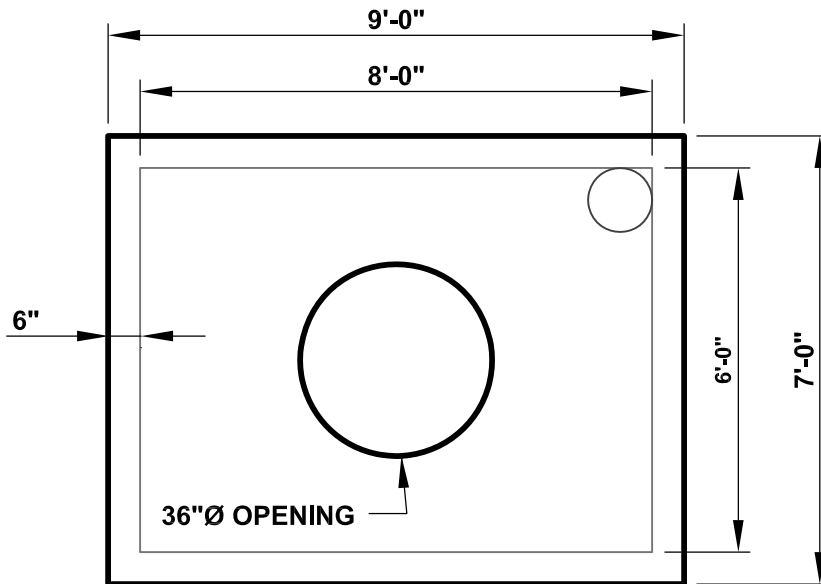
150 HIGGINSON AVENUE - LINCOLN, RI 02865 - Phone (401) 723-7100 - Fax (401) 723-6866

**NPCA**  
CERTIFIED PLANT

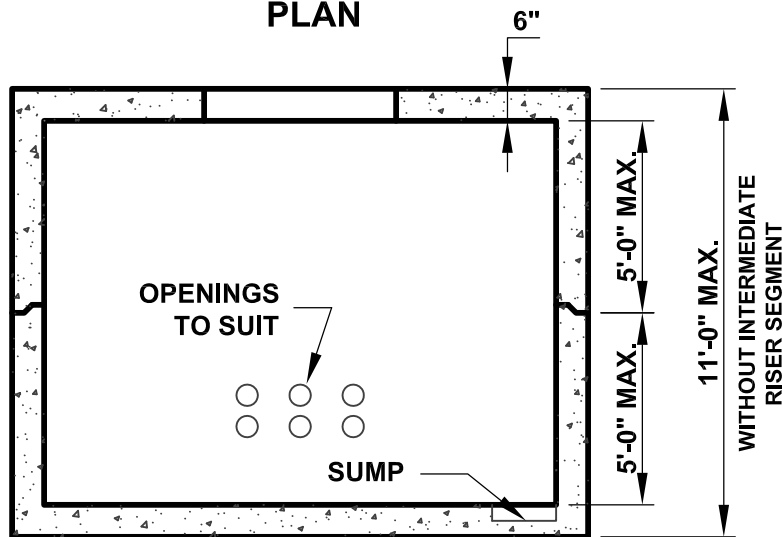
# DURASTONE

150 HIGGINSON AVENUE - LINCOLN, RI 02865 - Phone (401) 723-7100 - Fax (401) 723-6866

## 6'x8' UTILITY MANHOLE



PLAN



SECTION

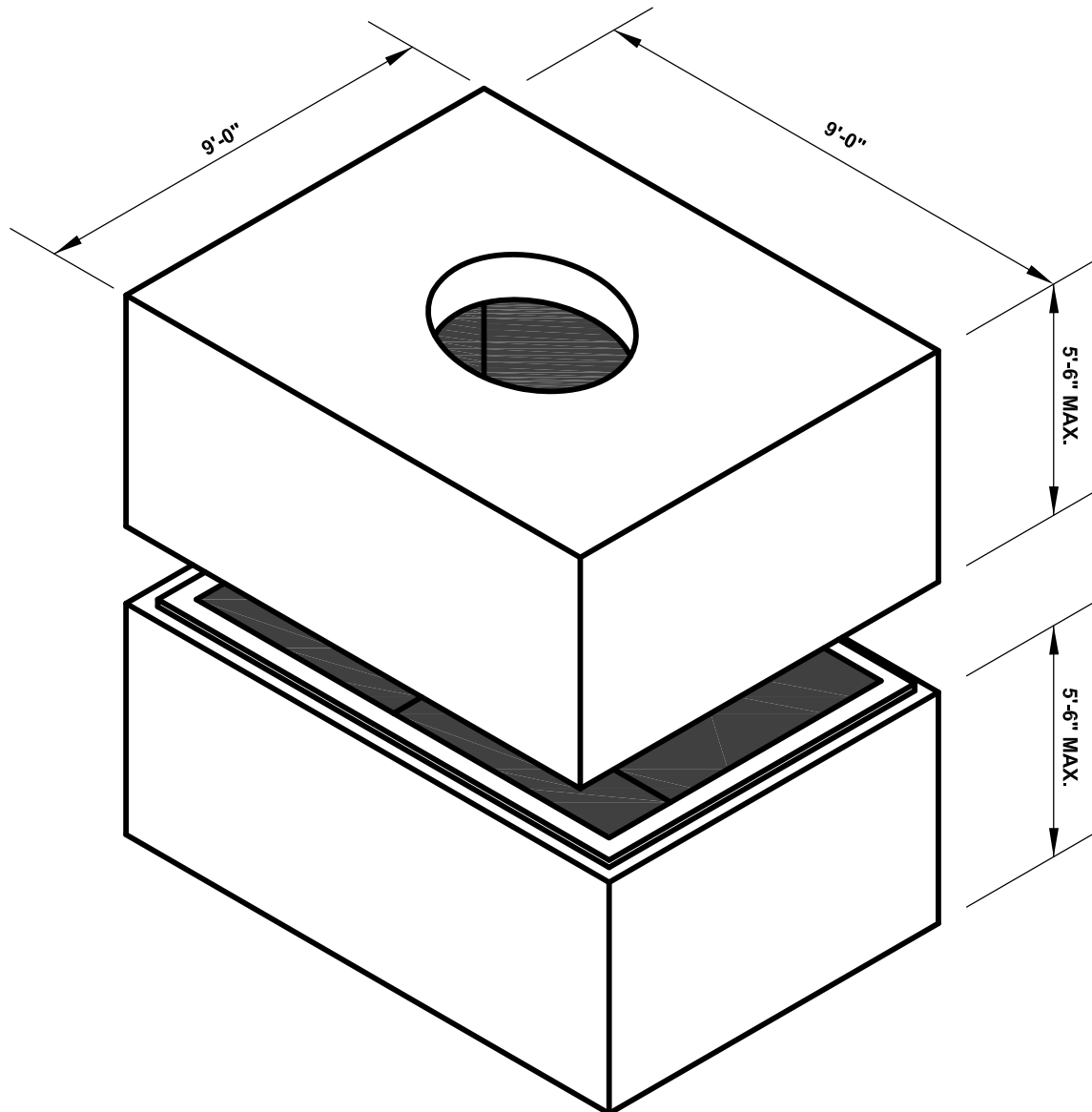
### STANDARD SPECIFICATIONS

1. MINIMUM CONCRETE COMPRESSIVE STRENGTH:  $F'_c = 5,000$  PSI
2. REINFORCEMENT: ASTM A615 GRADE 60, MINIMUM 1" COVER
3. DESIGN & DETAILING CODE: ACI318 (UNLESS OTHERWISE SPECIFIED)
4. AASHTO HS20 LIVE LOAD
5. JOINT SEALANT: 1" BUTYL RUBBER
6. OPENINGS & PULLING IRONS: CAST TO SUIT



# DURASTONE

## 8'x8' UTILITY MANHOLE



**APPROX. WEIGHT: 37,100 LB  
AT MAX. HEIGHT W/O RISER**

INTERMEDIATE RISER SEGMENTS MAY BE  
SPECIFIED TO PROVIDE ADDITIONAL DEPTH

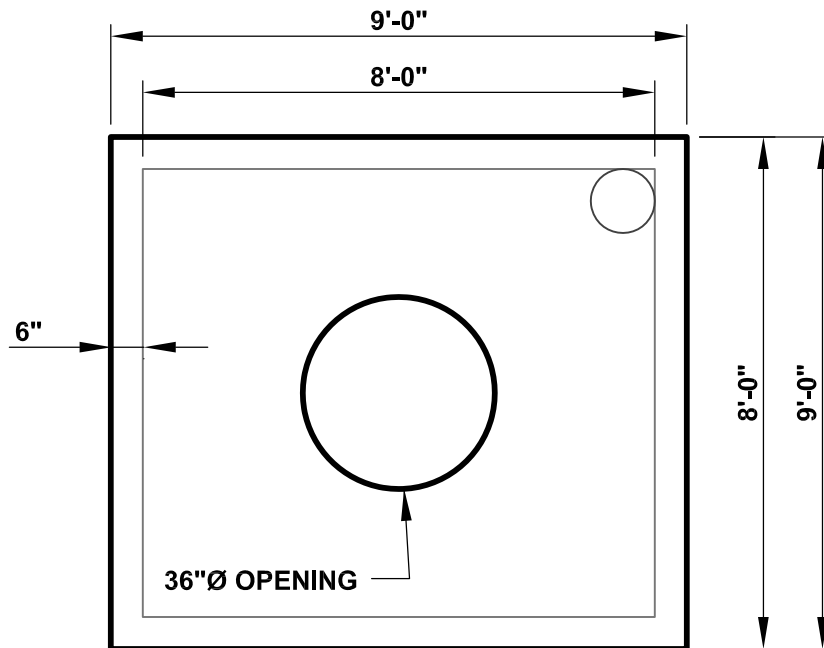
150 HIGGINSON AVENUE - LINCOLN, RI 02865 - Phone (401) 723-7100 - Fax (401) 723-6866

**NPCA**  
CERTIFIED PLANT

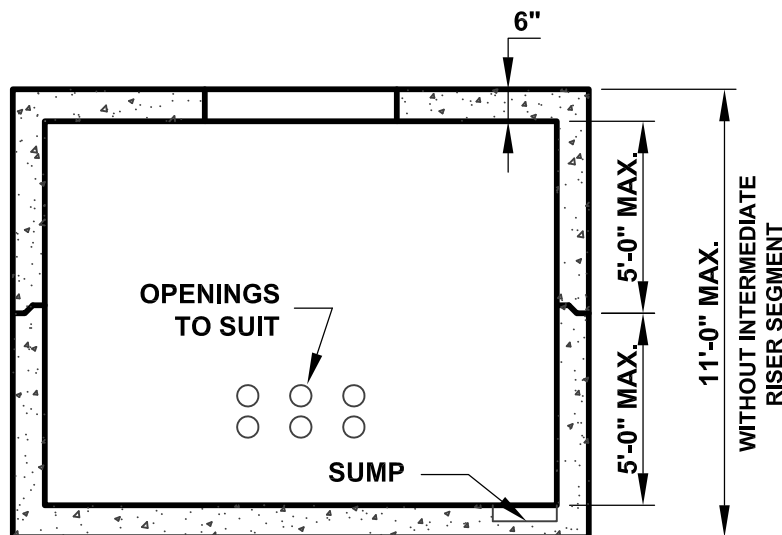
# DURASTONE

150 HIGGINSON AVENUE - LINCOLN, RI 02865 - Phone (401) 723-7100 - Fax (401) 723-6866

## 8'x8' UTILITY MANHOLE



PLAN



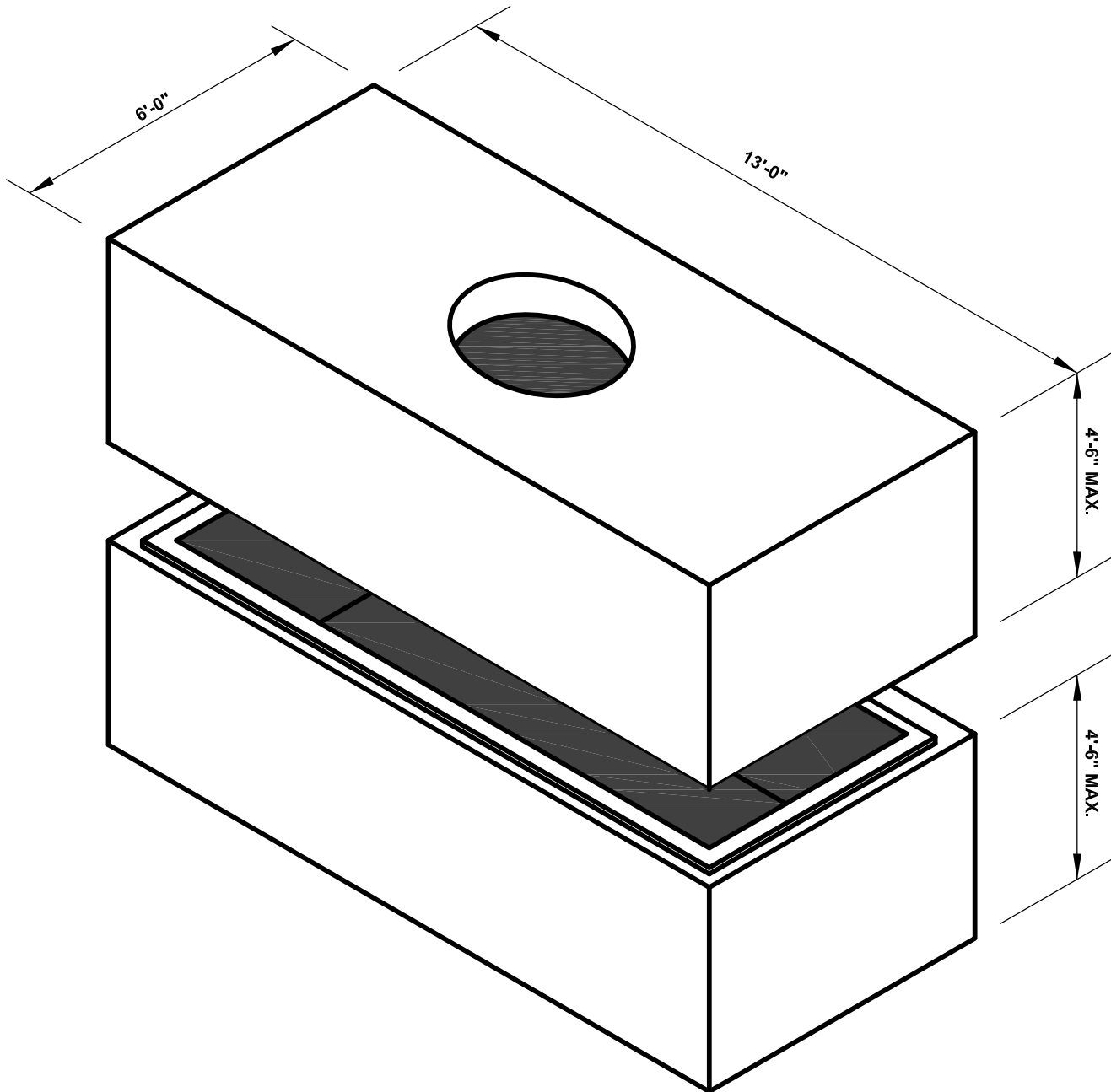
SECTION

### STANDARD SPECIFICATIONS

1. MINIMUM CONCRETE COMPRESSIVE STRENGTH:  $F'_c = 5,000$  PSI
2. REINFORCEMENT: ASTM A615 GRADE 60, MINIMUM 1" COVER
3. DESIGN & DETAILING CODE: ACI318 (UNLESS OTHERWISE SPECIFIED)
4. AASHTO HS20 LIVE LOAD
5. JOINT SEALANT: 1" BUTYL RUBBER
6. OPENINGS & PULLING IRONS: CAST TO SUIT

# DURASTONE

## 5'x12' UTILITY MANHOLE



**APPROX. WEIGHT: 32,800 LB  
AT MAX. HEIGHT W/O RISER**

INTERMEDIATE RISER SEGMENTS MAY BE  
SPECIFIED TO PROVIDE ADDITIONAL DEPTH

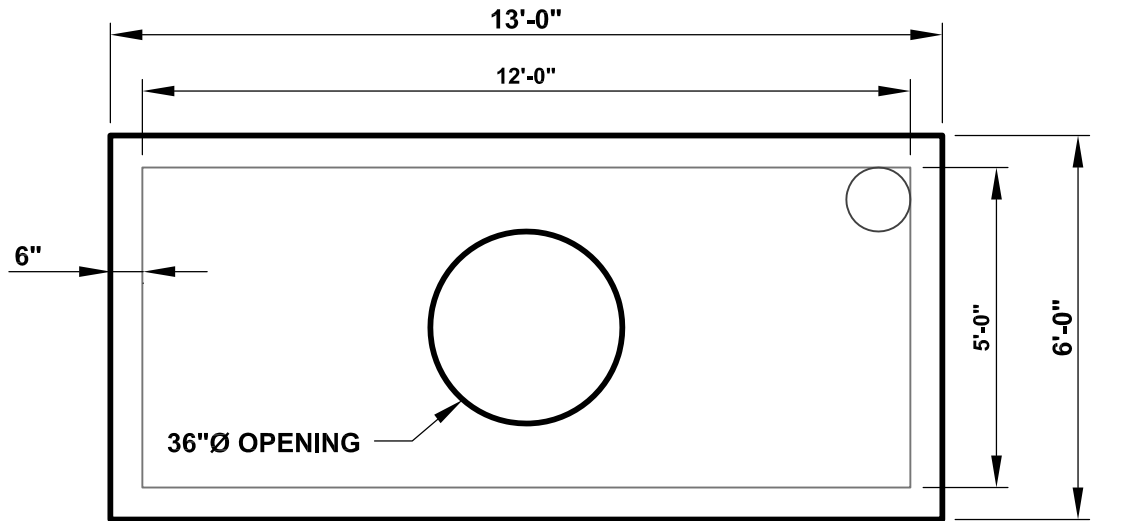
150 HIGGINSON AVENUE - LINCOLN, RI 02865 - Phone (401) 723-7100 - Fax (401) 723-6866

**NPCA**  
CERTIFIED PLANT

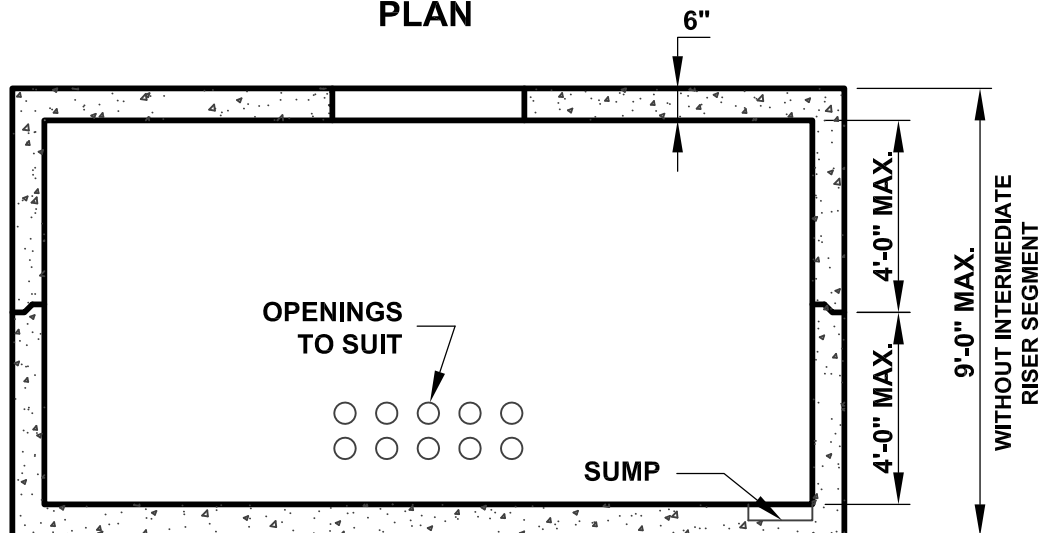
# DURASTONE

150 HIGGINSON AVENUE - LINCOLN, RI 02865 - Phone (401) 723-7100 - Fax (401) 723-6866

## 5'x12' UTILITY MANHOLE



PLAN



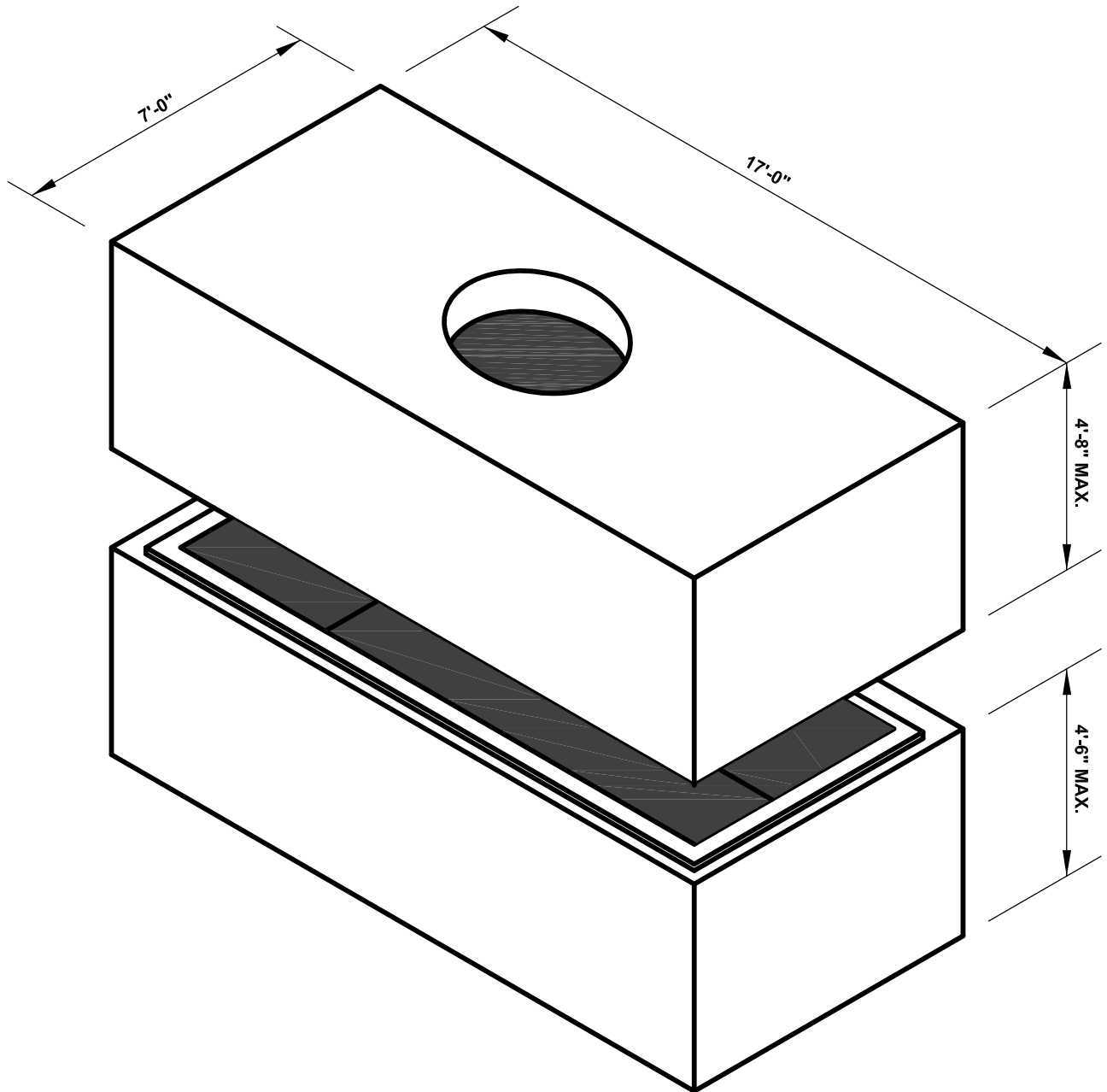
SECTION

### STANDARD SPECIFICATIONS

1. MINIMUM CONCRETE COMPRESSIVE STRENGTH:  $F'_c = 5,000$  PSI
2. REINFORCEMENT: ASTM A615 GRADE 60, MINIMUM 1" COVER
3. DESIGN & DETAILING CODE: ACI318 (UNLESS OTHERWISE SPECIFIED)
4. AASHTO HS20 LIVE LOAD
5. JOINT SEALANT: 1" BUTYL RUBBER
6. OPENINGS & PULLING IRONS: CAST TO SUIT

# DURASTONE

## 6'x16' UTILITY MANHOLE



**APPROX. WEIGHT: 48,000 LB  
AT MAX. HEIGHT W/O RISER**

INTERMEDIATE RISER SEGMENTS MAY BE  
SPECIFIED TO PROVIDE ADDITIONAL DEPTH

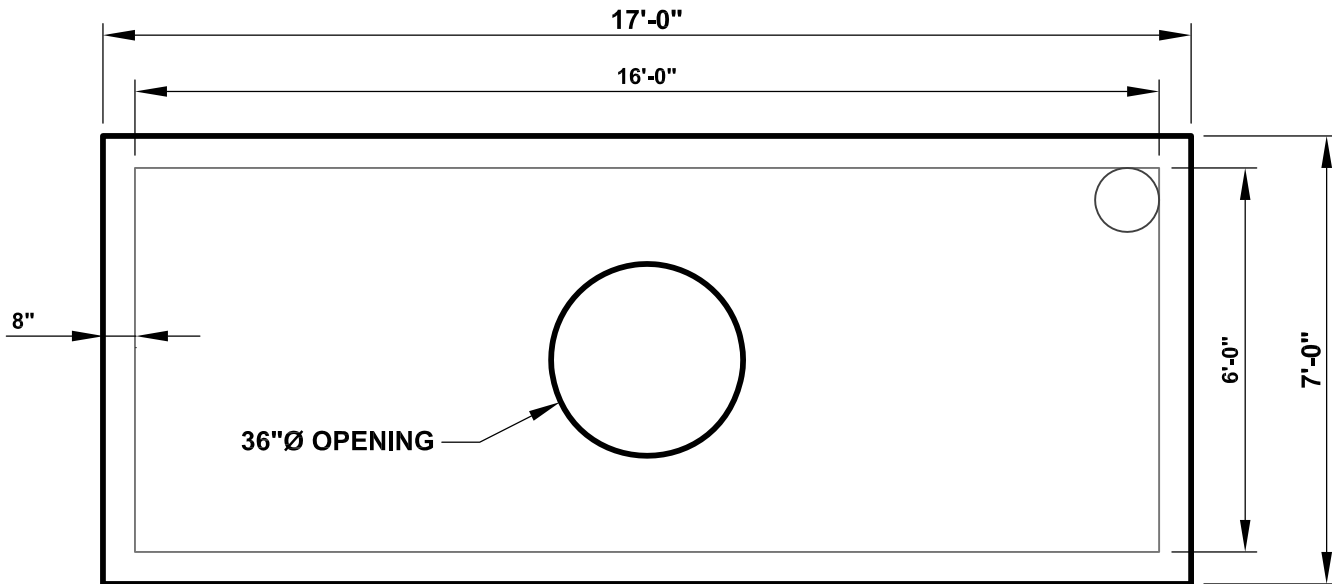
150 HIGGINSON AVENUE - LINCOLN, RI 02865 - Phone (401) 723-7100 - Fax (401) 723-6866

**NPCA**  
CERTIFIED PLANT

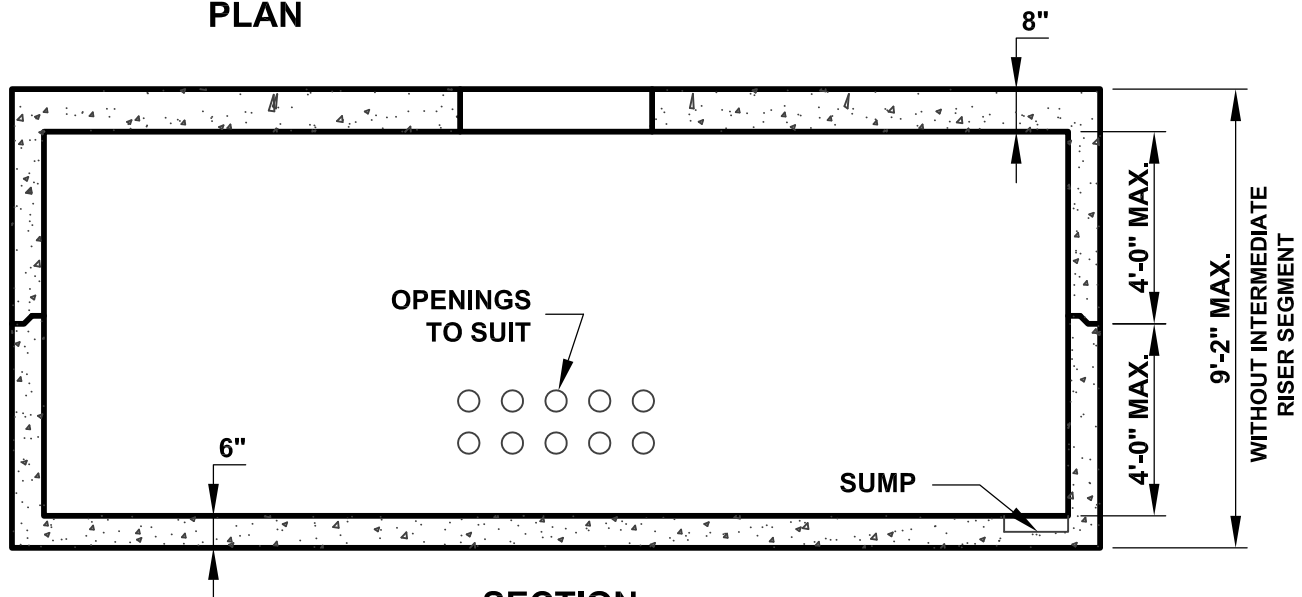
# DURASTONE

150 HIGGINSON AVENUE - LINCOLN, RI 02865 - Phone (401) 723-7100 - Fax (401) 723-6866

## 6'x16' UTILITY MANHOLE



PLAN



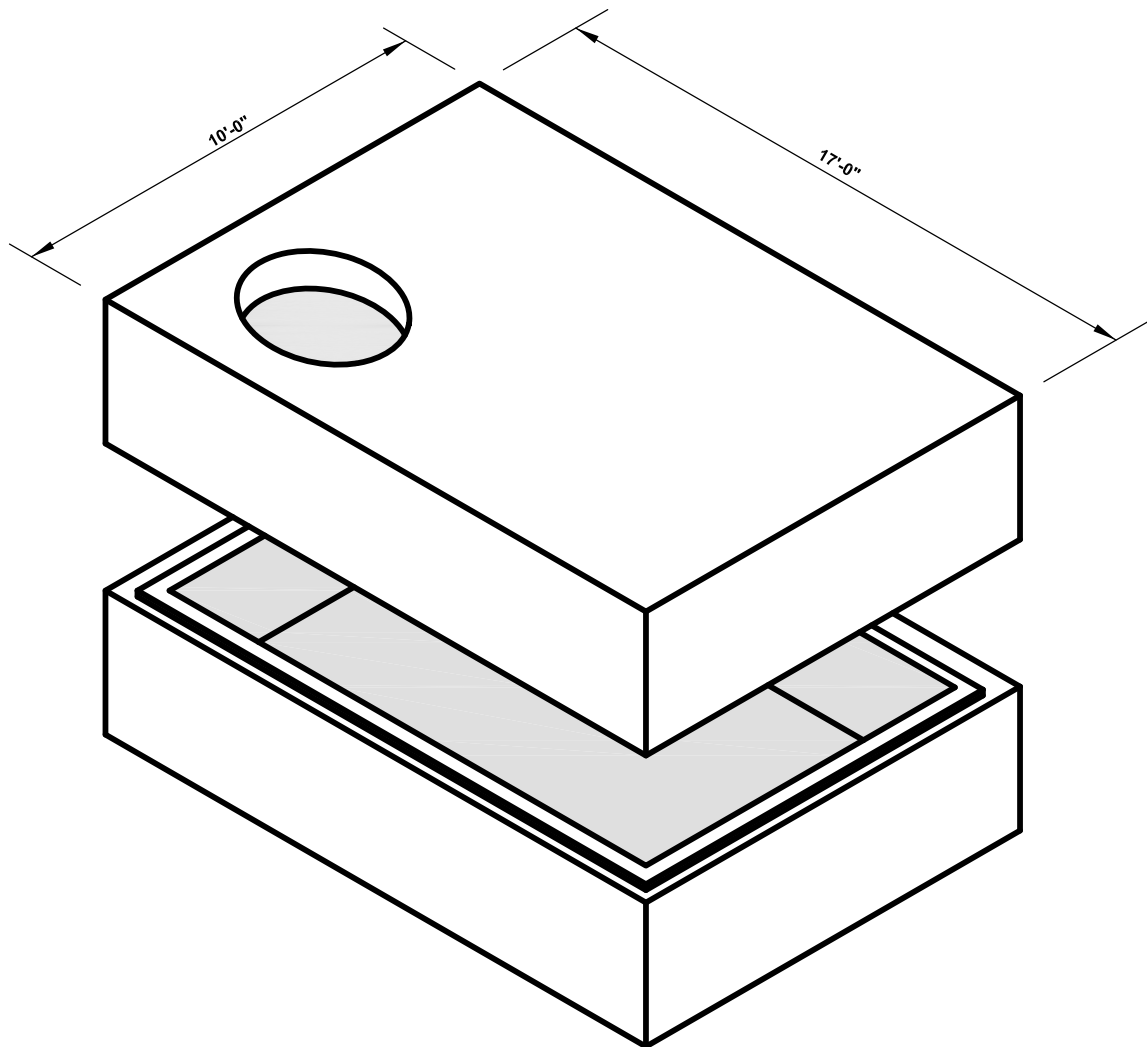
SECTION

### STANDARD SPECIFICATIONS

1. MINIMUM CONCRETE COMPRESSIVE STRENGTH:  $F'_c = 5,000$  PSI
2. REINFORCEMENT: ASTM A615 GRADE 60, MINIMUM 1" COVER
3. DESIGN & DETAILING CODE: ACI318 (UNLESS OTHERWISE SPECIFIED)
4. AASHTO HS20 LIVE LOAD
5. JOINT SEALANT: 1" BUTYL RUBBER
6. OPENINGS & PULLING IRONS: CAST TO SUIT

# DURASTONE

## 9'x16' UTILITY MANHOLE



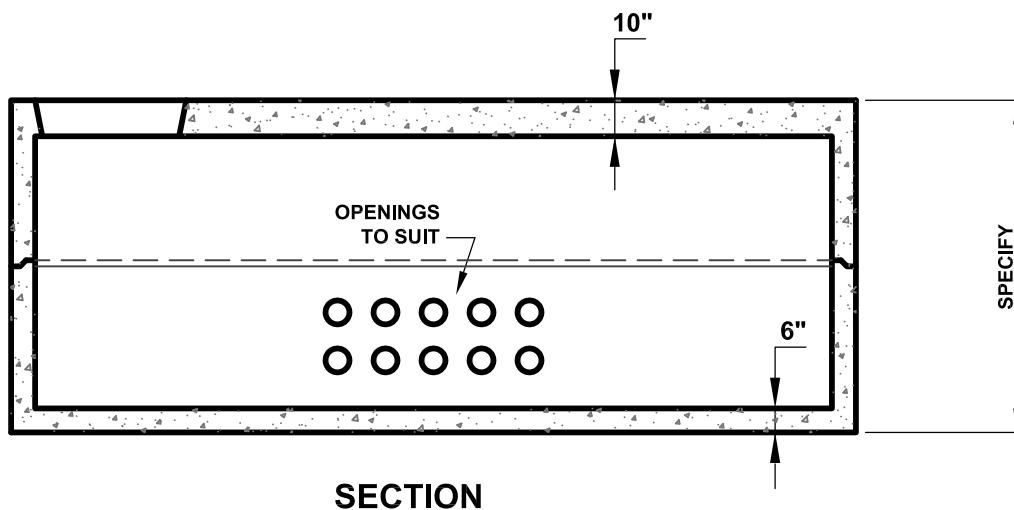
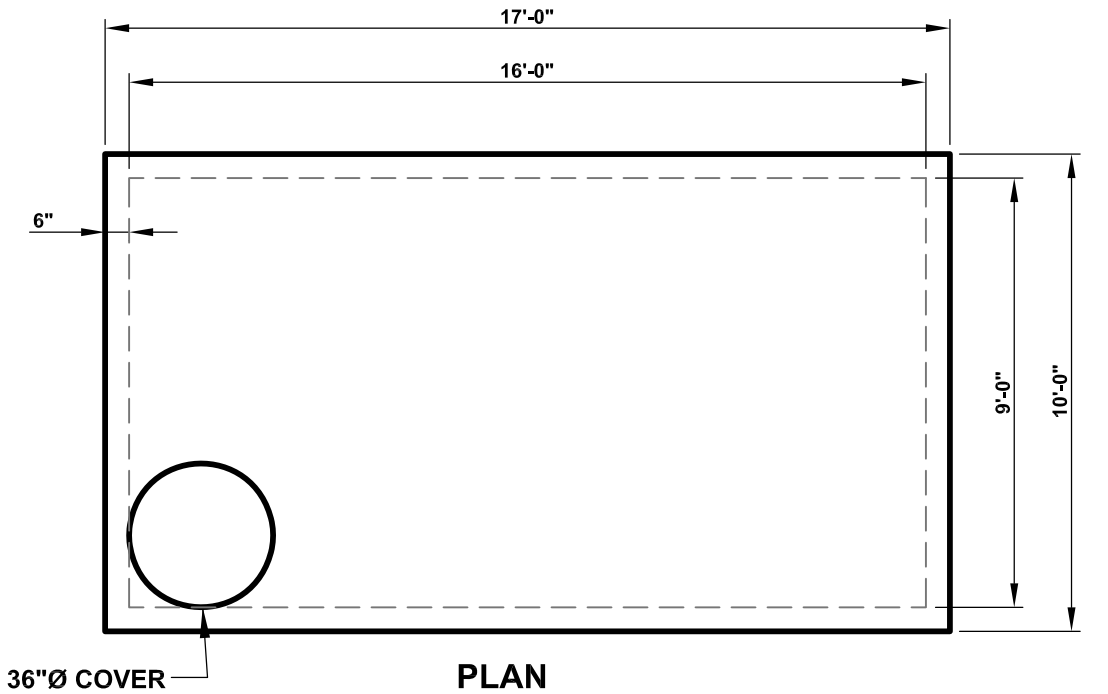
150 HIGGINSON AVENUE - LINCOLN, RI 02865 - Phone (401) 723-7100 - Fax (401) 723-6866

**NPCA**  
CERTIFIED PLANT

# DURASTONE

150 HIGGINSON AVENUE - LINCOLN, RI 02865 - Phone (401) 723-7100 - Fax (401) 723-6866

## 9'x16' UTILITY MANHOLE



### STANDARD SPECIFICATIONS

1. MINIMUM CONCRETE COMPRESSIVE STRENGTH:  $F'_c = 5,000$  PSI
2. REINFORCEMENT: ASTM A615 GRADE 60, MINIMUM 1" COVER
3. DESIGN & DETAILING CODE: ACI318 (UNLESS OTHERWISE SPECIFIED)
4. AASHTO HL93 LIVE LOAD
5. JOINT SEALANT: 1" BUTYL RUBBER
6. OPENINGS & PULLING IRONS: CAST TO SUIT