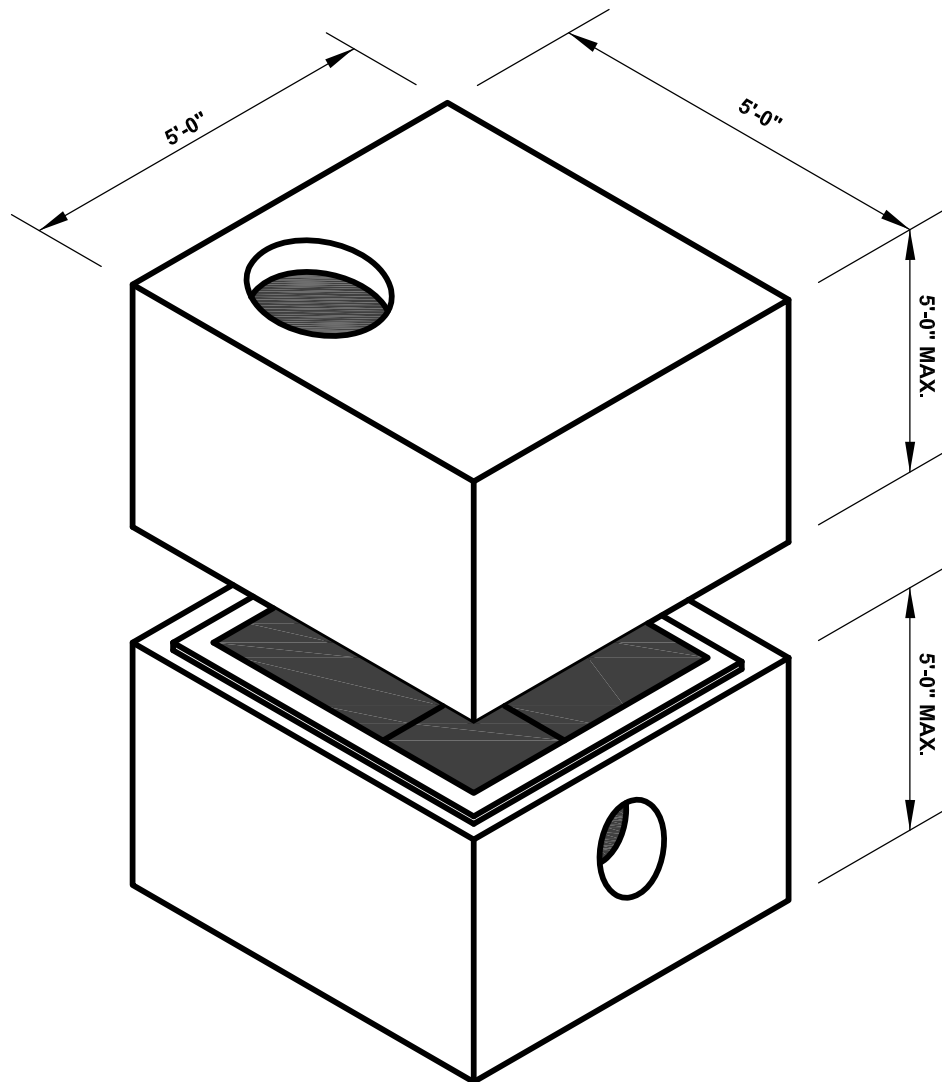


DURASTONE

4'x4' MANHOLE



**APPROX. WEIGHT: 15,400 LB
AT MAX. HEIGHT W/O RISER**

INTERMEDIATE RISER SEGMENTS MAY BE
SPECIFIED TO PROVIDE ADDITIONAL DEPTH

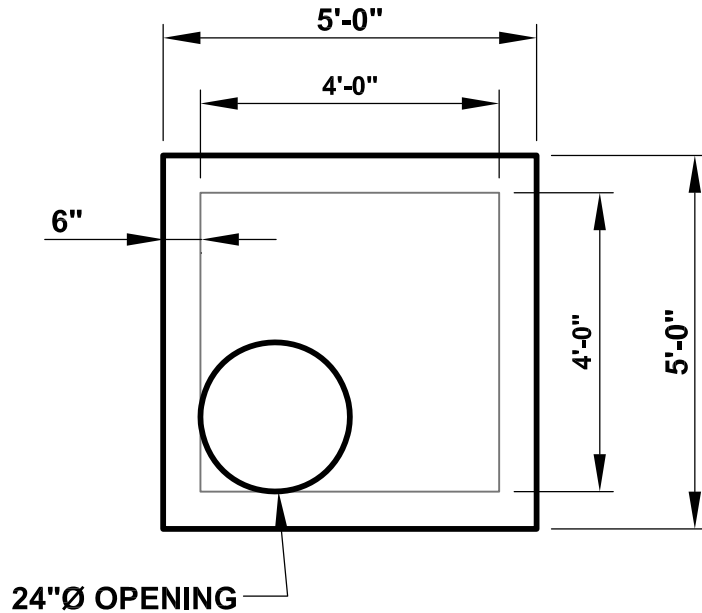
150 HIGGINSON AVENUE - LINCOLN, RI 02865 - Phone (401) 723-7100 - Fax (401) 723-6866

NPCA
CERTIFIED PLANT

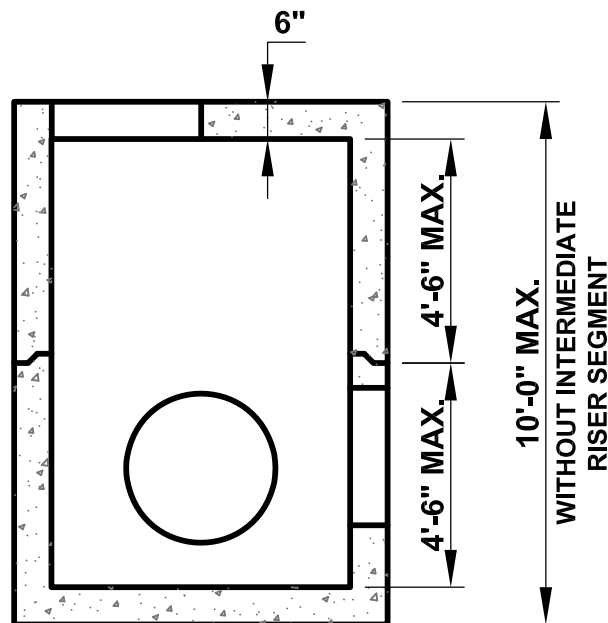
DURASTONE

150 HIGGINSON AVENUE - LINCOLN, RI 02865 - Phone (401) 723-7100 - Fax (401) 723-6866

4'x4' MANHOLE



PLAN



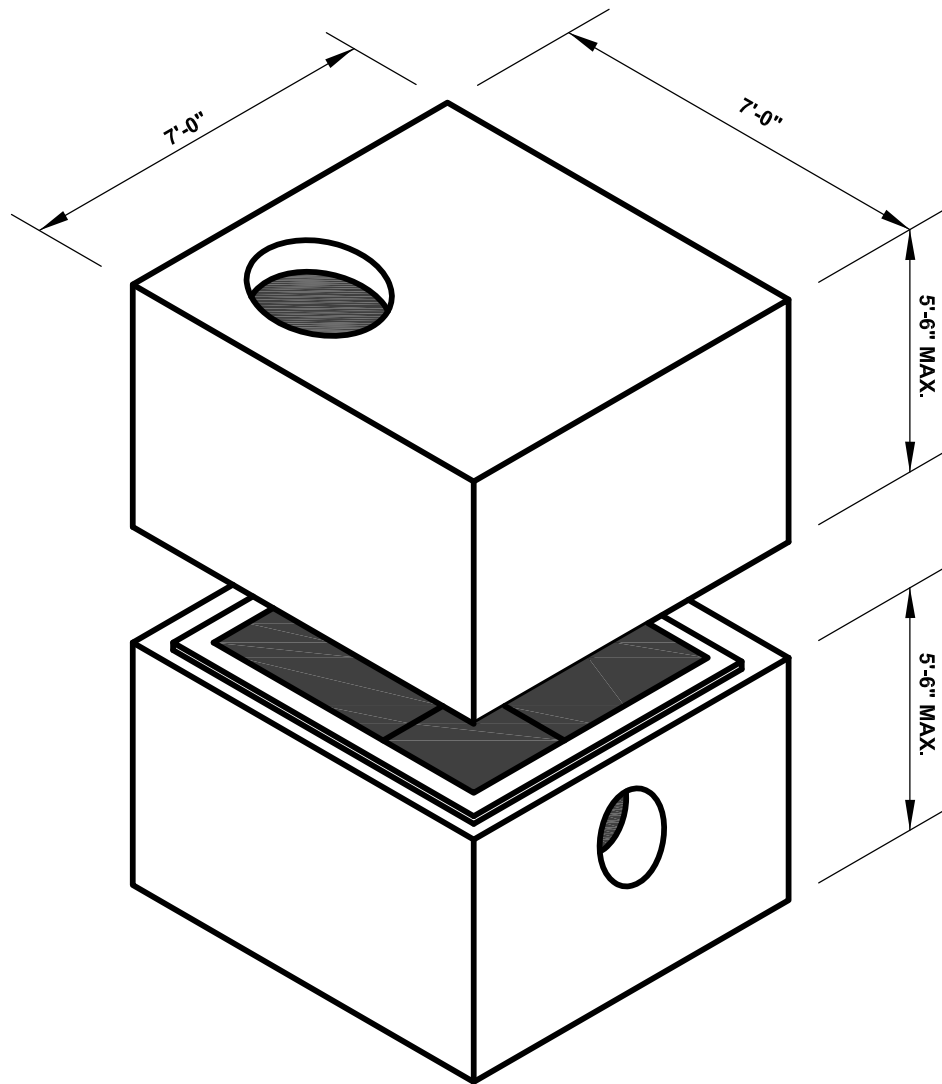
SECTION

STANDARD SPECIFICATIONS

- MINIMUM CONCRETE COMPRESSIVE STRENGTH: $F'_c = 5,000$ PSI
- REINFORCEMENT: ASTM A615 GRADE 60, MINIMUM 1" COVER
- DESIGN & DETAILING CODE: ACI318 (UNLESS OTHERWISE SPECIFIED)
- AASHTO HS20 LIVE LOAD
- JOINT SEALANT: 1" BUTYL RUBBER
- OPENINGS: CAST TO SUIT

DURASTONE

6'x6' MANHOLE



**APPROX. WEIGHT: 26,300 LB
AT MAX. HEIGHT W/O RISER**

INTERMEDIATE RISER SEGMENTS MAY BE
SPECIFIED TO PROVIDE ADDITIONAL DEPTH

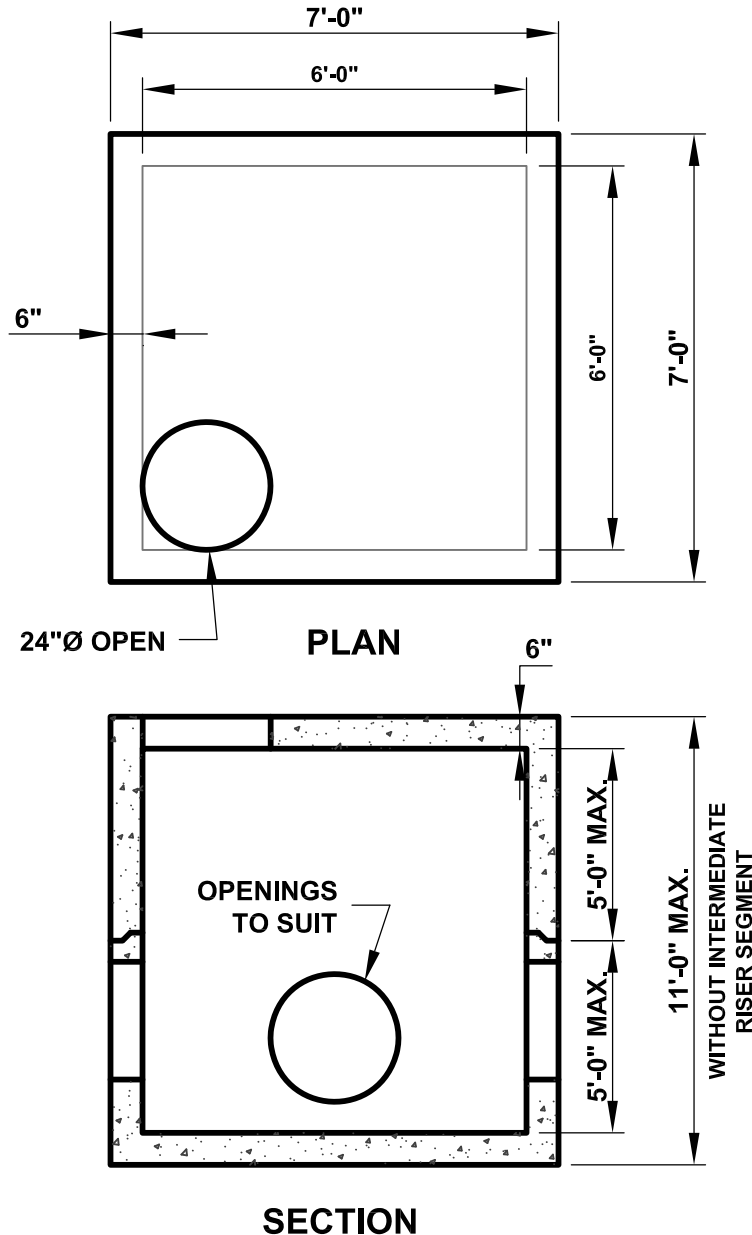
150 HIGGINSON AVENUE - LINCOLN, RI 02865 - Phone (401) 723-7100 - Fax (401) 723-6866

NPCA
CERTIFIED PLANT

DURASTONE

150 HIGGINSON AVENUE - LINCOLN, RI 02865 - Phone (401) 723-7100 - Fax (401) 723-6866

6'x6' MANHOLE

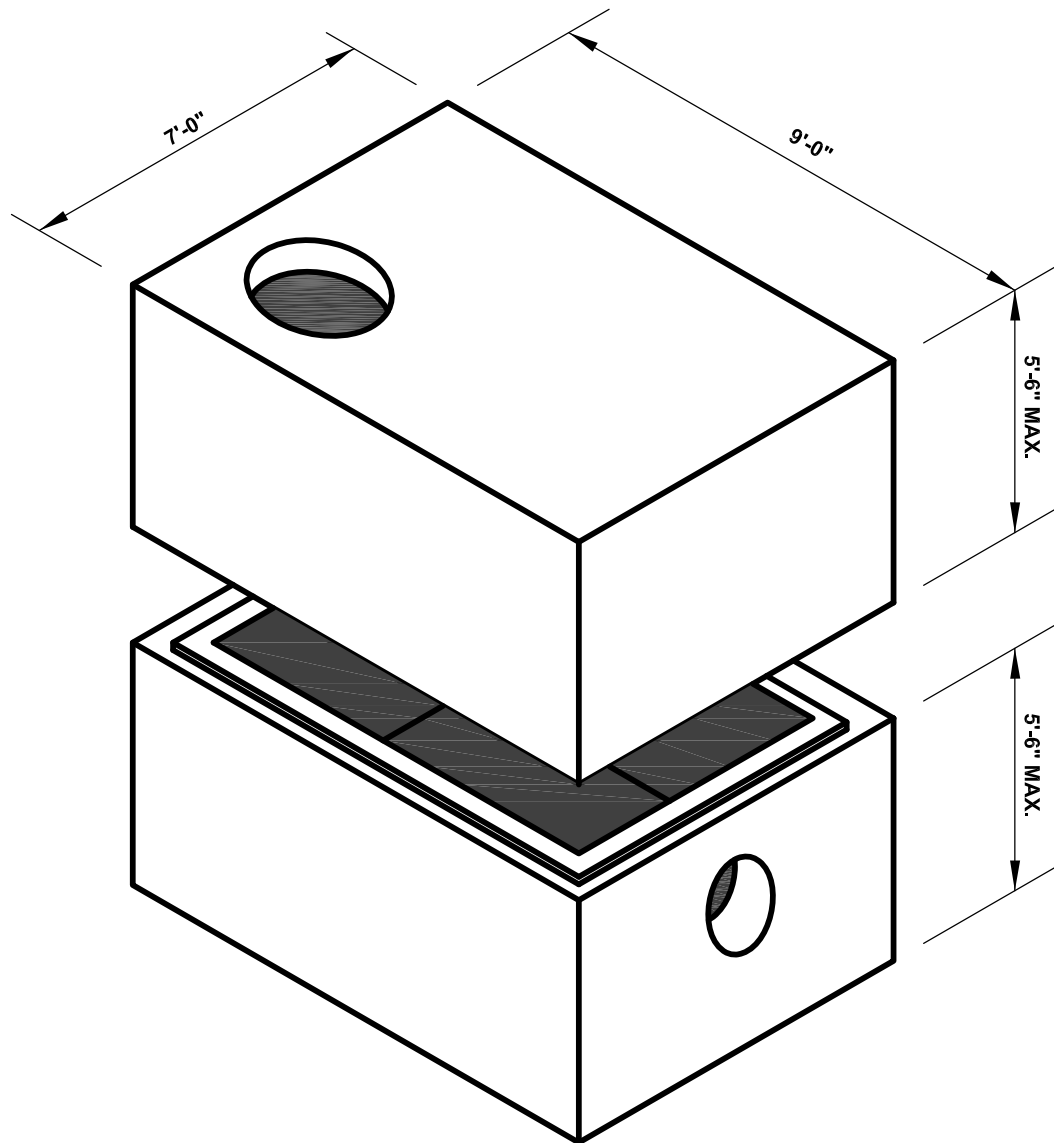


STANDARD SPECIFICATIONS

- MINIMUM CONCRETE COMPRESSIVE STRENGTH: $F'_c = 5,000$ PSI
- REINFORCEMENT: ASTM A615 GRADE 60, MINIMUM 1" COVER
- DESIGN & DETAILING CODE: ACI318 (UNLESS OTHERWISE SPECIFIED)
- AASHTO HS20 LIVE LOAD
- JOINT SEALANT: 1" BUTYL RUBBER
- OPENINGS: CAST TO SUIT

DURASTONE

6'x8' MANHOLE



**APPROX. WEIGHT: 31,400 LB
AT MAX. HEIGHT W/O RISER**

INTERMEDIATE RISER SEGMENTS MAY BE
SPECIFIED TO PROVIDE ADDITIONAL DEPTH

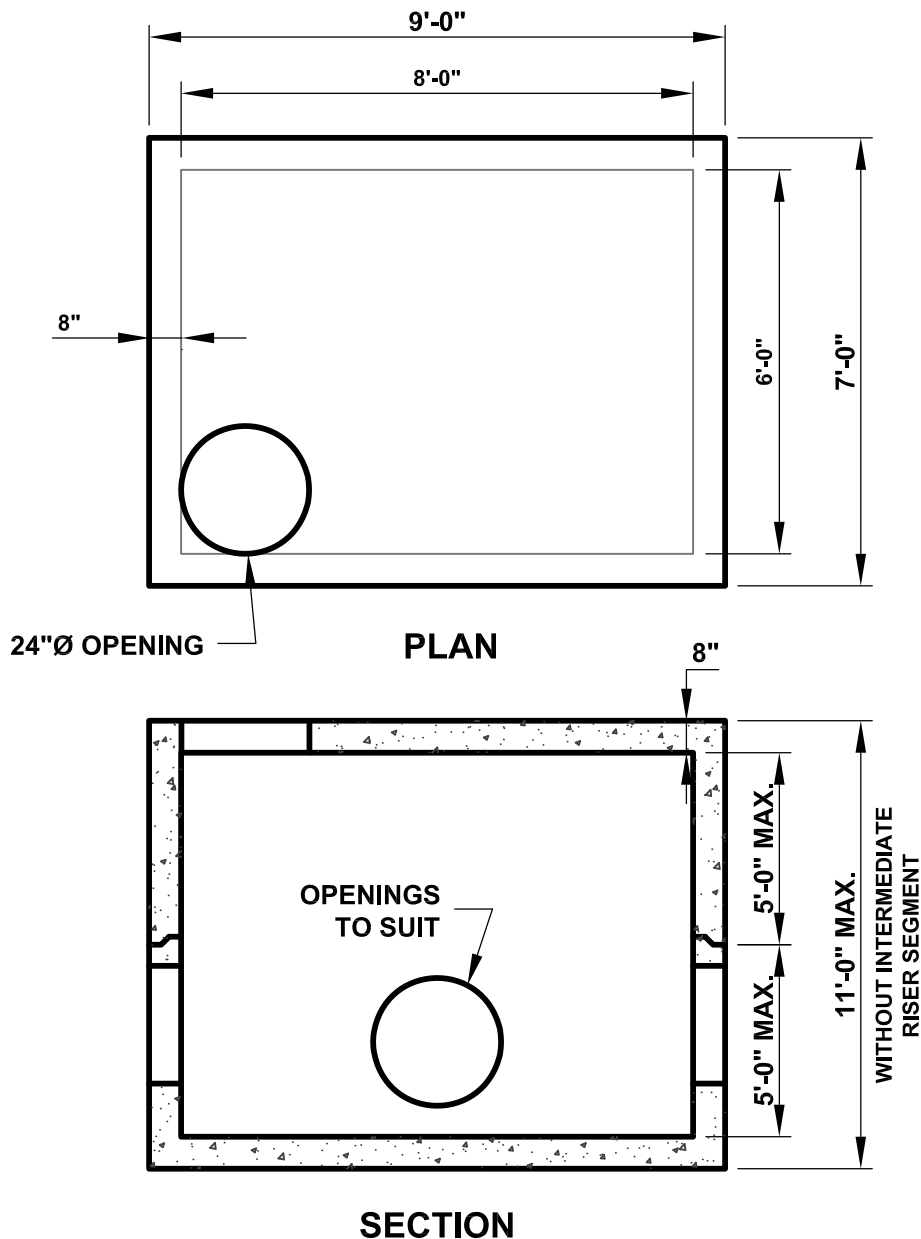
150 HIGGINSON AVENUE - LINCOLN, RI 02865 - Phone (401) 723-7100 - Fax (401) 723-6866

NPCA
CERTIFIED PLANT

DURASTONE

150 HIGGINSON AVENUE - LINCOLN, RI 02865 - Phone (401) 723-7100 - Fax (401) 723-6866

6'x8' MANHOLE

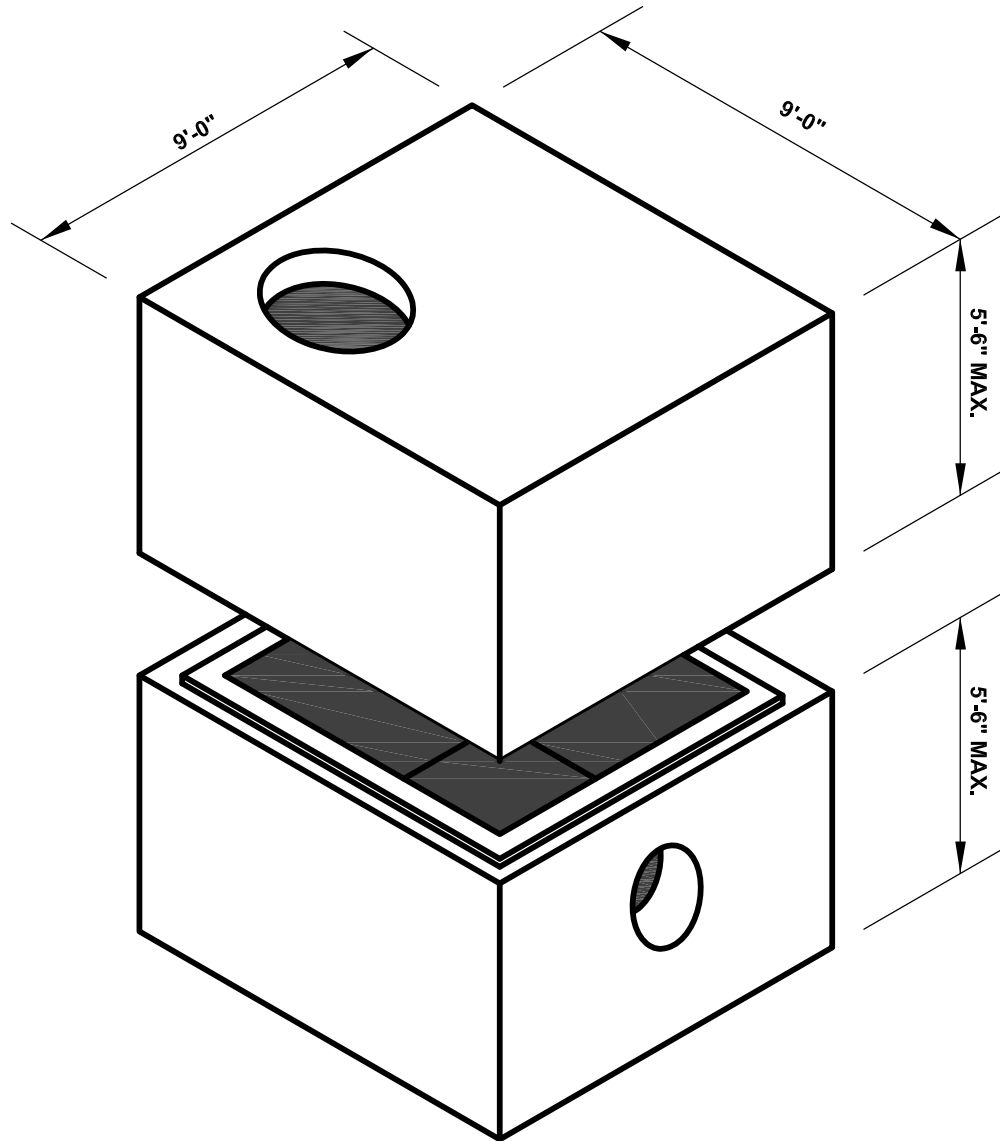


STANDARD SPECIFICATIONS

- MINIMUM CONCRETE COMPRESSIVE STRENGTH: $F'_c = 5,000$ PSI
- REINFORCEMENT: ASTM A615 GRADE 60, MINIMUM 1" COVER
- DESIGN & DETAILING CODE: ACI318 (UNLESS OTHERWISE SPECIFIED)
- AASHTO HS20 LIVE LOAD
- JOINT SEALANT: 1" BUTYL RUBBER
- OPENINGS: CAST TO SUIT

DURASTONE

8'x8' MANHOLE



**APPROX. WEIGHT: 37,100 LB
AT MAX. HEIGHT W/O RISER**

**INTERMEDIATE RISER SEGMENTS MAY BE
SPECIFIED TO PROVIDE ADDITIONAL DEPTH**

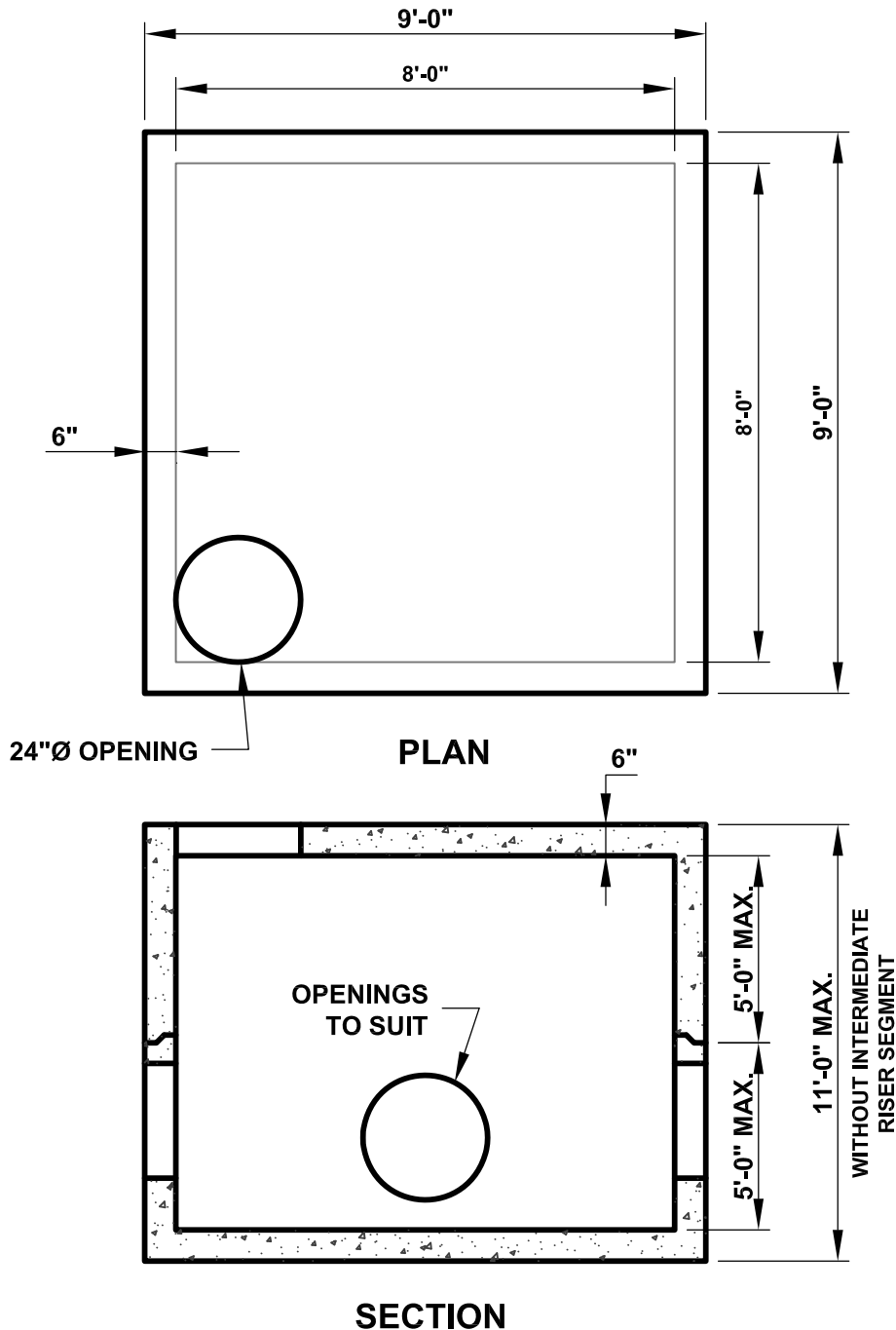
150 HIGGINSON AVENUE - LINCOLN, RI 02865 - Phone (401) 723-7100 - Fax (401) 723-6866

NPCA
CERTIFIED PLANT

DURASTONE

150 HIGGINSON AVENUE - LINCOLN, RI 02865 - Phone (401) 723-7100 - Fax (401) 723-6866

8'x8' MANHOLE

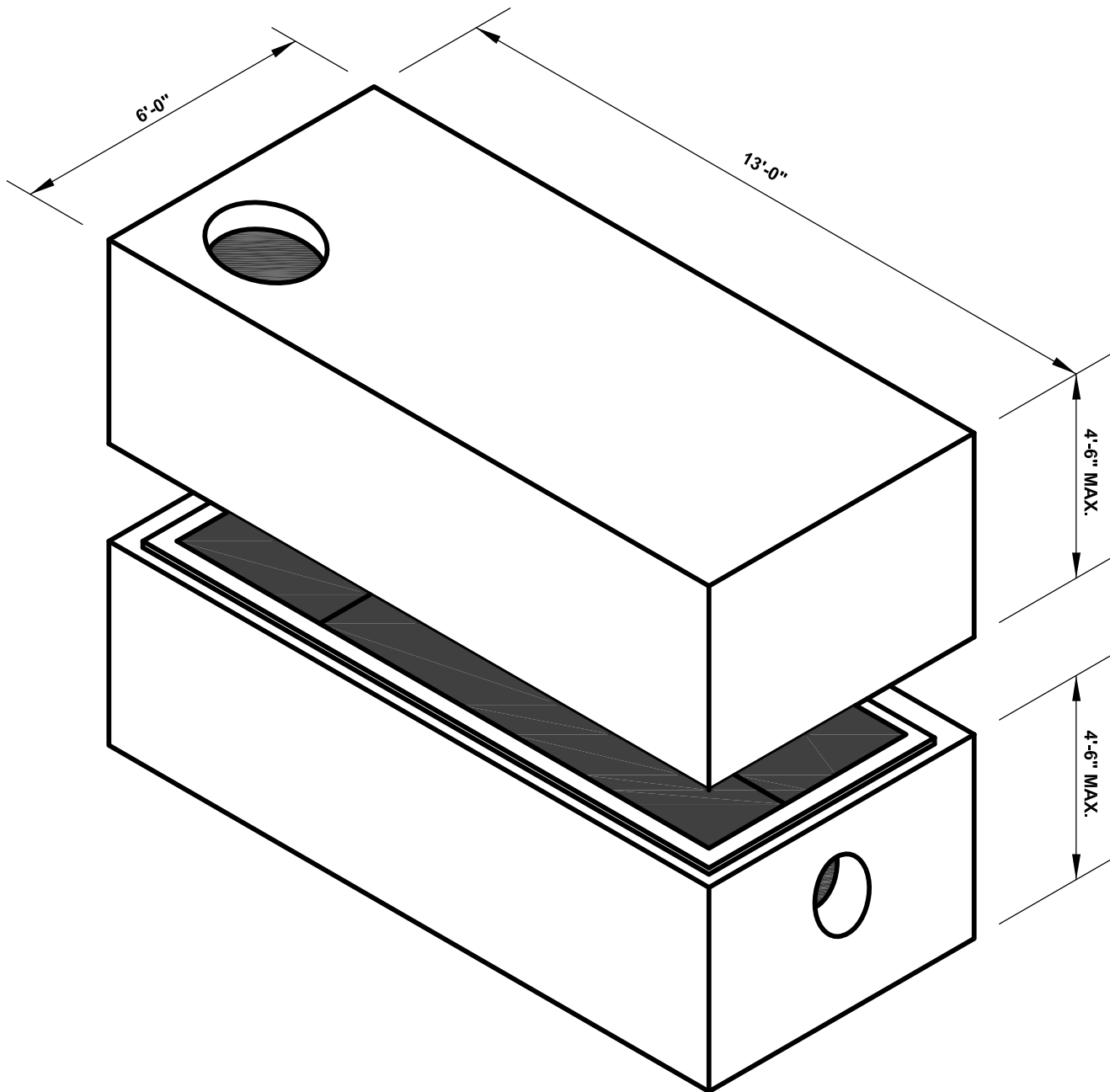


STANDARD SPECIFICATIONS

- MINIMUM CONCRETE COMPRESSIVE STRENGTH: $F'_c = 5,000$ PSI
- REINFORCEMENT: ASTM A615 GRADE 60, MINIMUM 1" COVER
- DESIGN & DETAILING CODE: ACI318 (UNLESS OTHERWISE SPECIFIED)
- AASHTO HS20 LIVE LOAD
- JOINT SEALANT: 1" BUTYL RUBBER
- OPENINGS: CAST TO SUIT

DURASTONE

5'x12' MANHOLE



**APPROX. WEIGHT: 32,800 LB
AT MAX. HEIGHT W/O RISER**

INTERMEDIATE RISER SEGMENTS MAY BE
SPECIFIED TO PROVIDE ADDITIONAL DEPTH

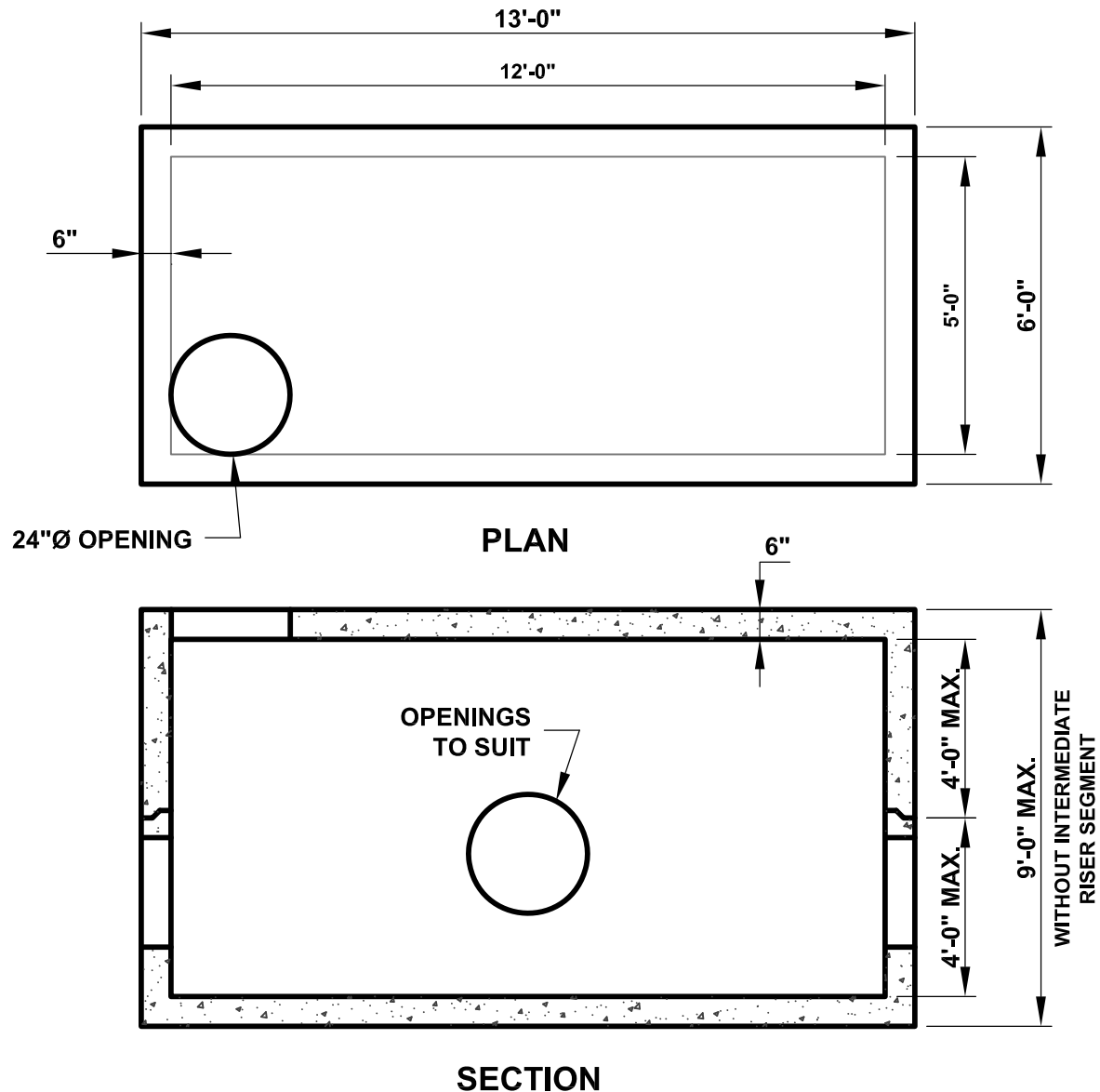
150 HIGGINSON AVENUE - LINCOLN, RI 02865 - Phone (401) 723-7100 - Fax (401) 723-6866

NPCA
CERTIFIED PLANT

DURASTONE

150 HIGGINSON AVENUE - LINCOLN, RI 02865 - Phone (401) 723-7100 - Fax (401) 723-6866

5'x12' MANHOLE

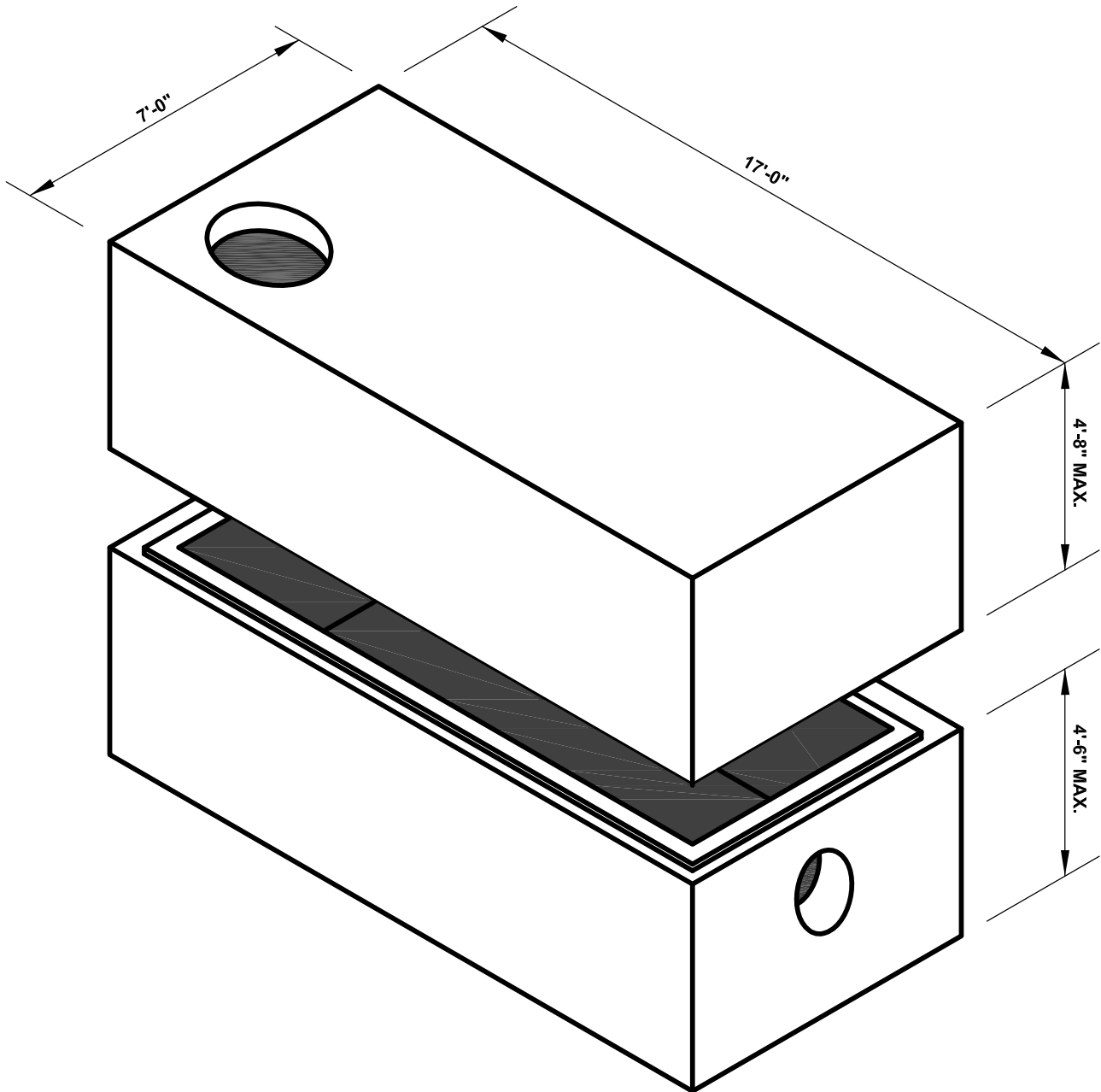


STANDARD SPECIFICATIONS

- MINIMUM CONCRETE COMPRESSIVE STRENGTH: $F'_c = 5,000$ PSI
- REINFORCEMENT: ASTM A615 GRADE 60, MINIMUM 1" COVER
- DESIGN & DETAILING CODE: ACI318 (UNLESS OTHERWISE SPECIFIED)
- AASHTO HS20 LIVE LOAD
- JOINT SEALANT: 1" BUTYL RUBBER
- OPENINGS: CAST TO SUIT

DURASTONE

6'x16' MANHOLE



**APPROX. WEIGHT: 48,000 LB
AT MAX. HEIGHT W/O RISER**

INTERMEDIATE RISER SEGMENTS MAY BE
SPECIFIED TO PROVIDE ADDITIONAL DEPTH

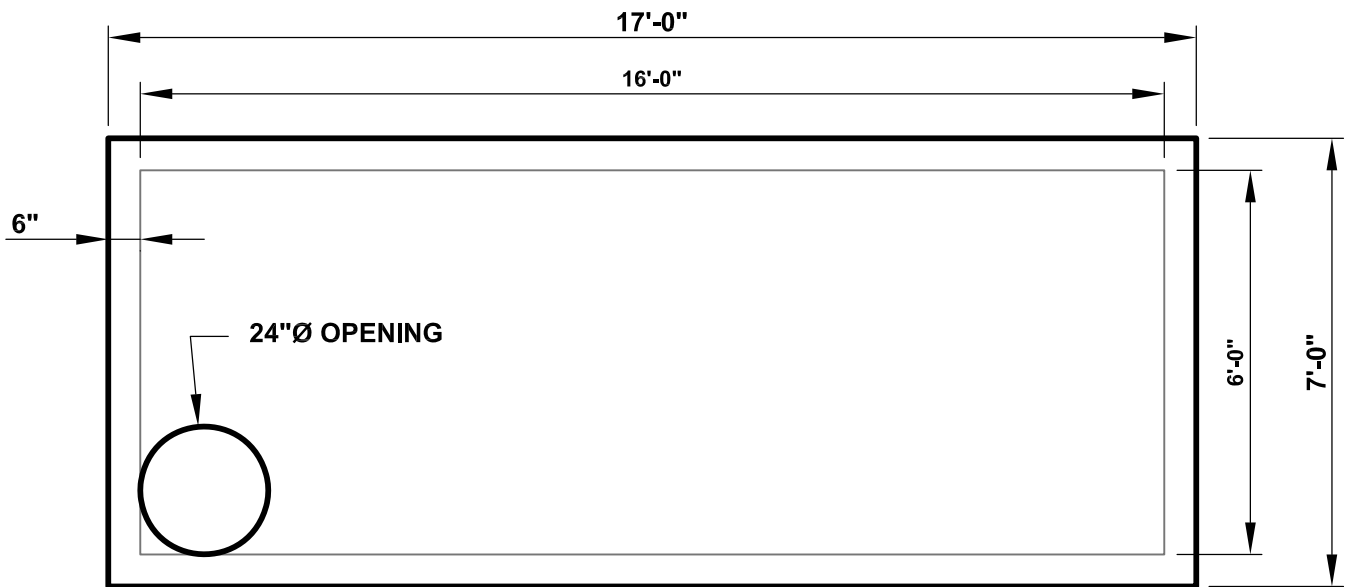
150 HIGGINSON AVENUE - LINCOLN, RI 02865 - Phone (401) 723-7100 - Fax (401) 723-6866

NPCA
CERTIFIED PLANT

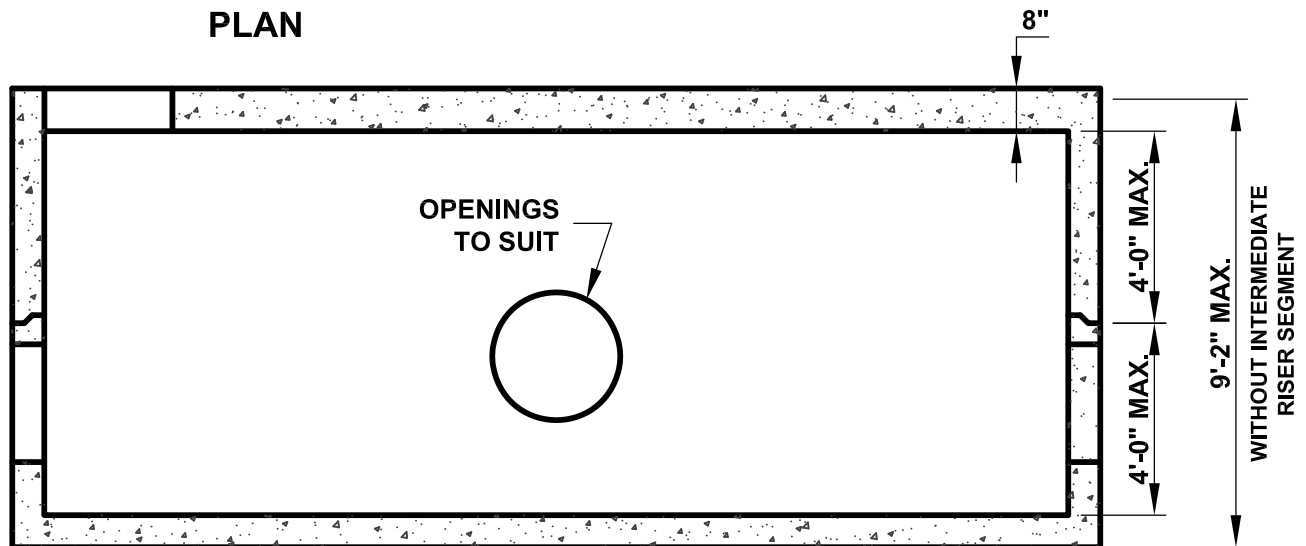
DURASTONE

150 HIGGINSON AVENUE - LINCOLN, RI 02865 - Phone (401) 723-7100 - Fax (401) 723-6866

6'x16' MANHOLE



PLAN



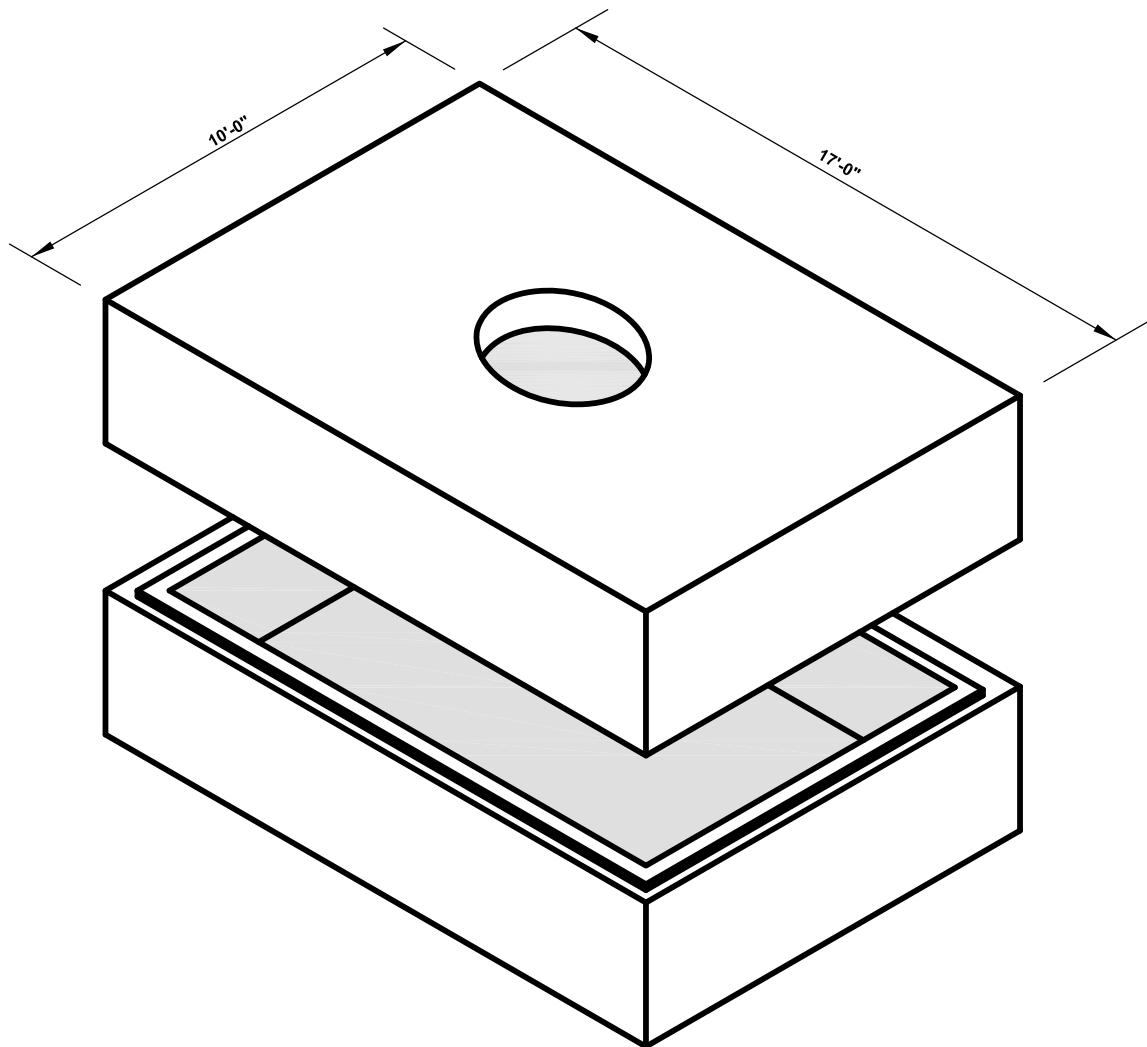
SECTION

STANDARD SPECIFICATIONS

- MINIMUM CONCRETE COMPRESSIVE STRENGTH: $F'_c = 5,000$ PSI
- REINFORCEMENT: ASTM A615 GRADE 60, MINIMUM 1" COVER
- DESIGN & DETAILING CODE: ACI318 (UNLESS OTHERWISE SPECIFIED)
- AASHTO HS20 LIVE LOAD
- JOINT SEALANT: 1" BUTYL RUBBER
- OPENINGS: CAST TO SUIT

DURASTONE

9'x16' MANHOLE



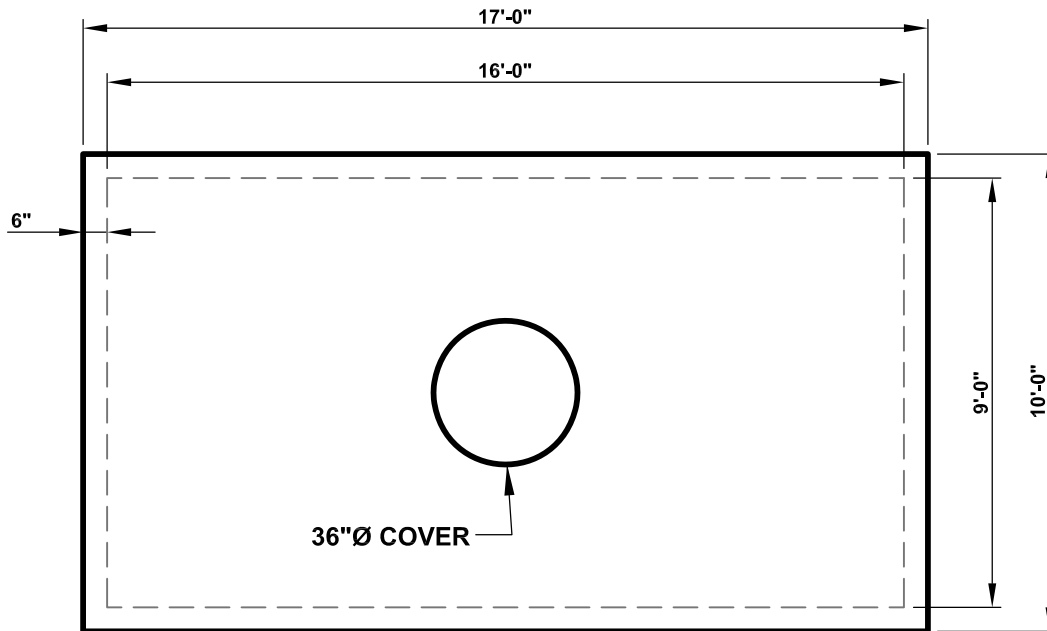
150 HIGGINSON AVENUE - LINCOLN, RI 02865 - Phone (401) 723-7100 - Fax (401) 723-6866

NPCA
CERTIFIED PLANT

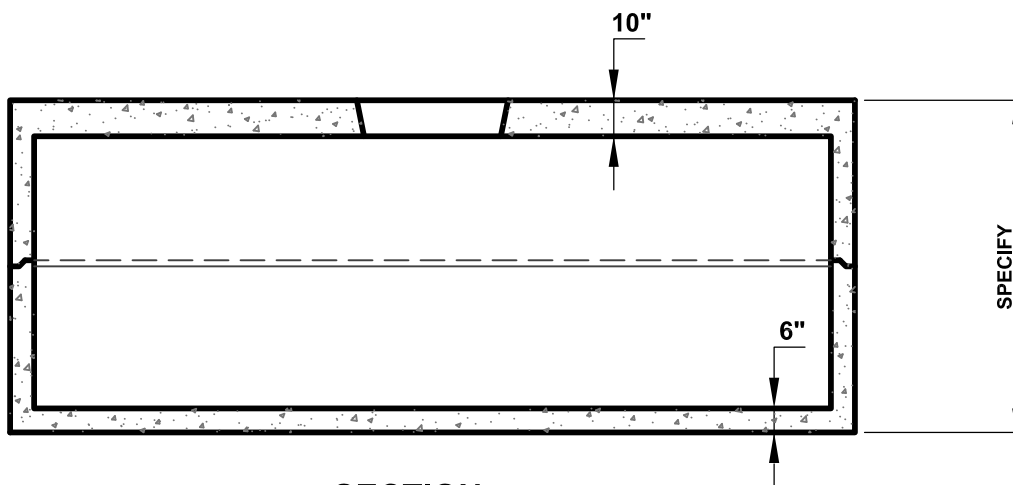
DURASTONE

150 HIGGINSON AVENUE - LINCOLN, RI 02865 - Phone (401) 723-7100 - Fax (401) 723-6866

9'x16' MANHOLE



PLAN



SECTION

STANDARD SPECIFICATIONS

- MINIMUM CONCRETE COMPRESSIVE STRENGTH: $F'_c = 5,000$ PSI
- REINFORCEMENT: ASTM A615 GRADE 60, MINIMUM 1" COVER
- DESIGN & DETAILING CODE: ACI318 (UNLESS OTHERWISE SPECIFIED)
- AASHTO HL93 LIVE LOAD
- JOINT SEALANT: 1" BUTYL RUBBER
- OPENINGS: CAST TO SUIT