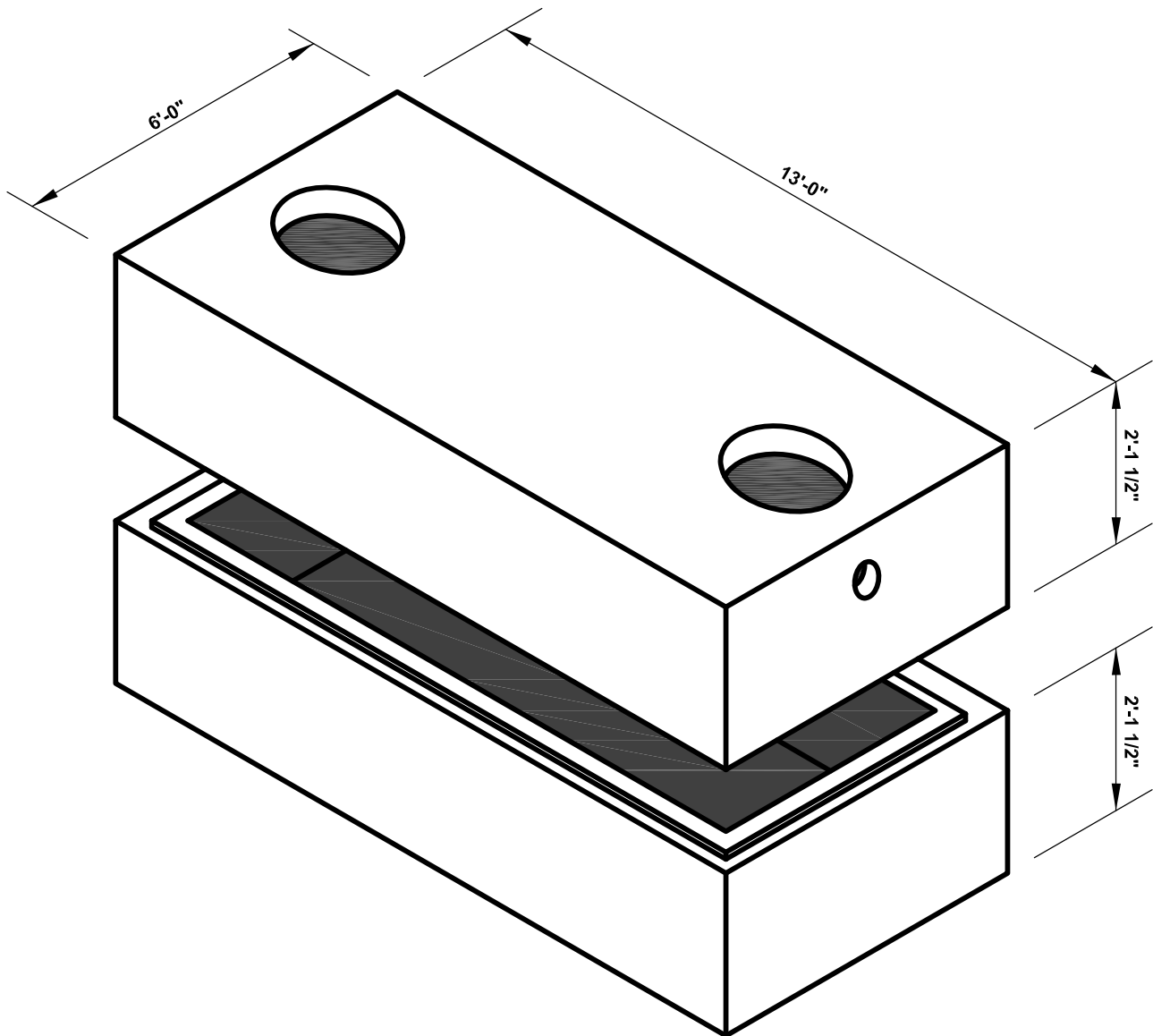


# DURASTONE

## 1,000 GAL. OIL/WATER SEPARATOR INTERIOR DIMENSIONS 12'x5'x3'-3"



**APPROX. WEIGHTS:**  
**TOP: 9,800 LB**  
**BASE: 10,300 LB**

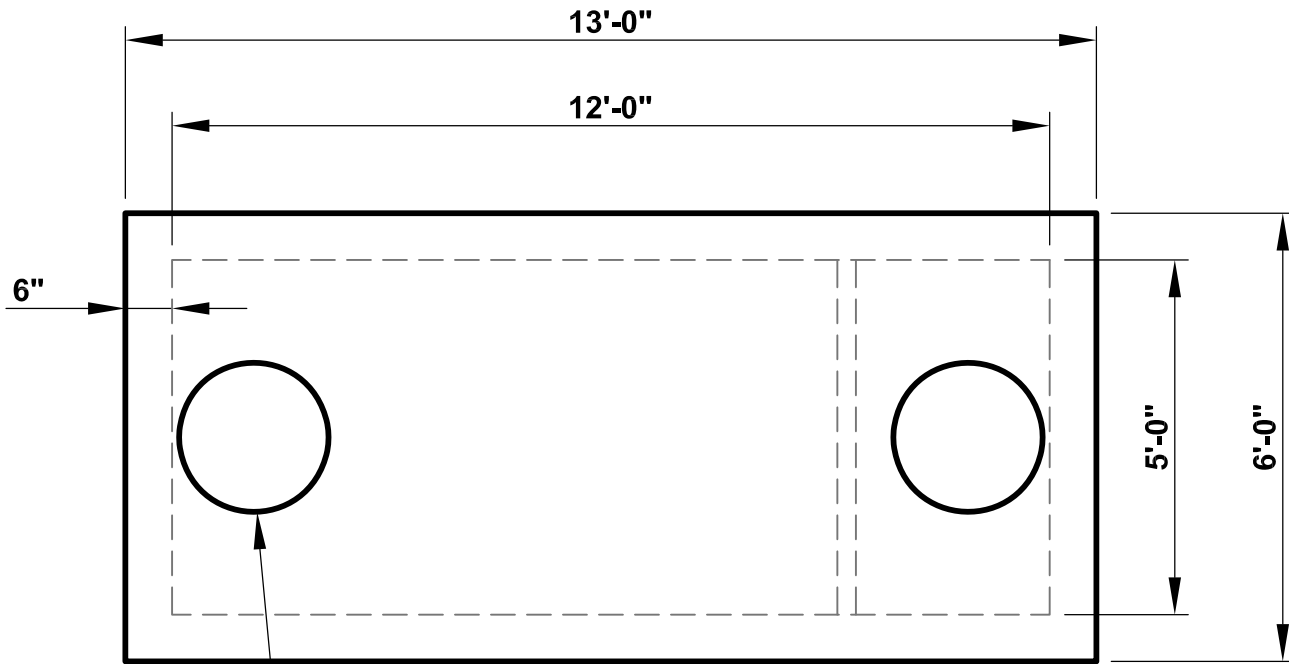
150 HIGGINSON AVENUE - LINCOLN, RI 02865 - Phone (401) 723-7100 - Fax (401) 723-6866

**NPCA**  
CERTIFIED PLANT

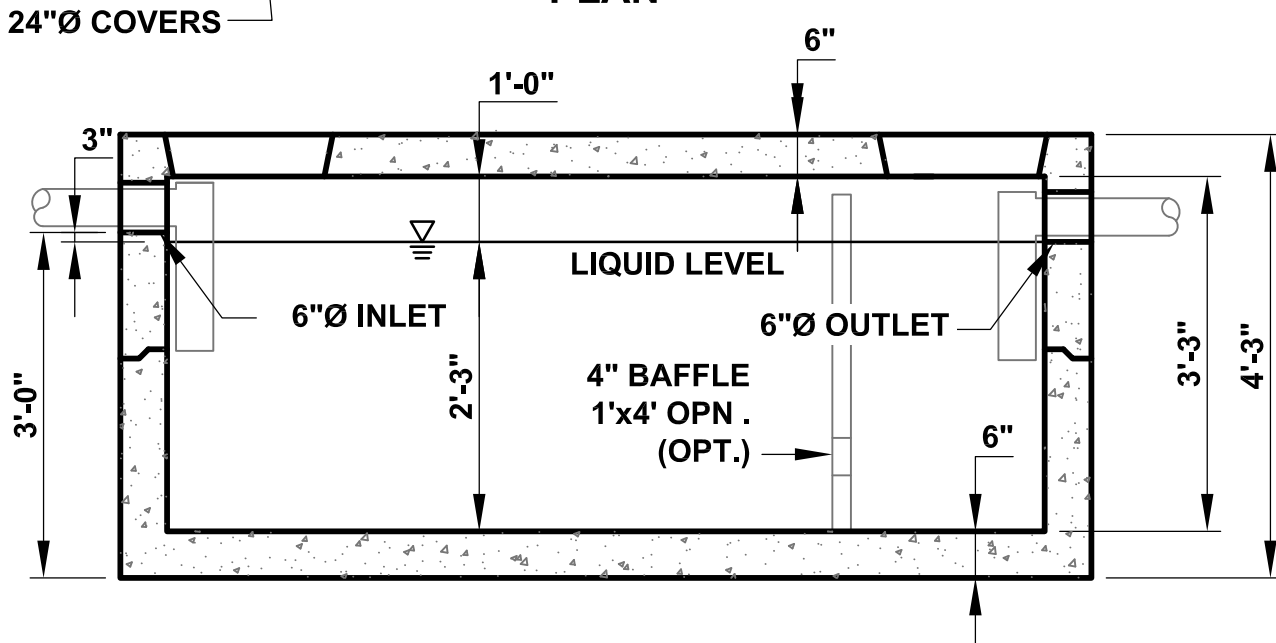
# DURASTONE

150 HIGGINSON AVENUE - LINCOLN, RI 02865 - Phone (401) 723-7100 - Fax (401) 723-6866

## 1,000 GAL. OIL/WATER SEPARATOR



PLAN



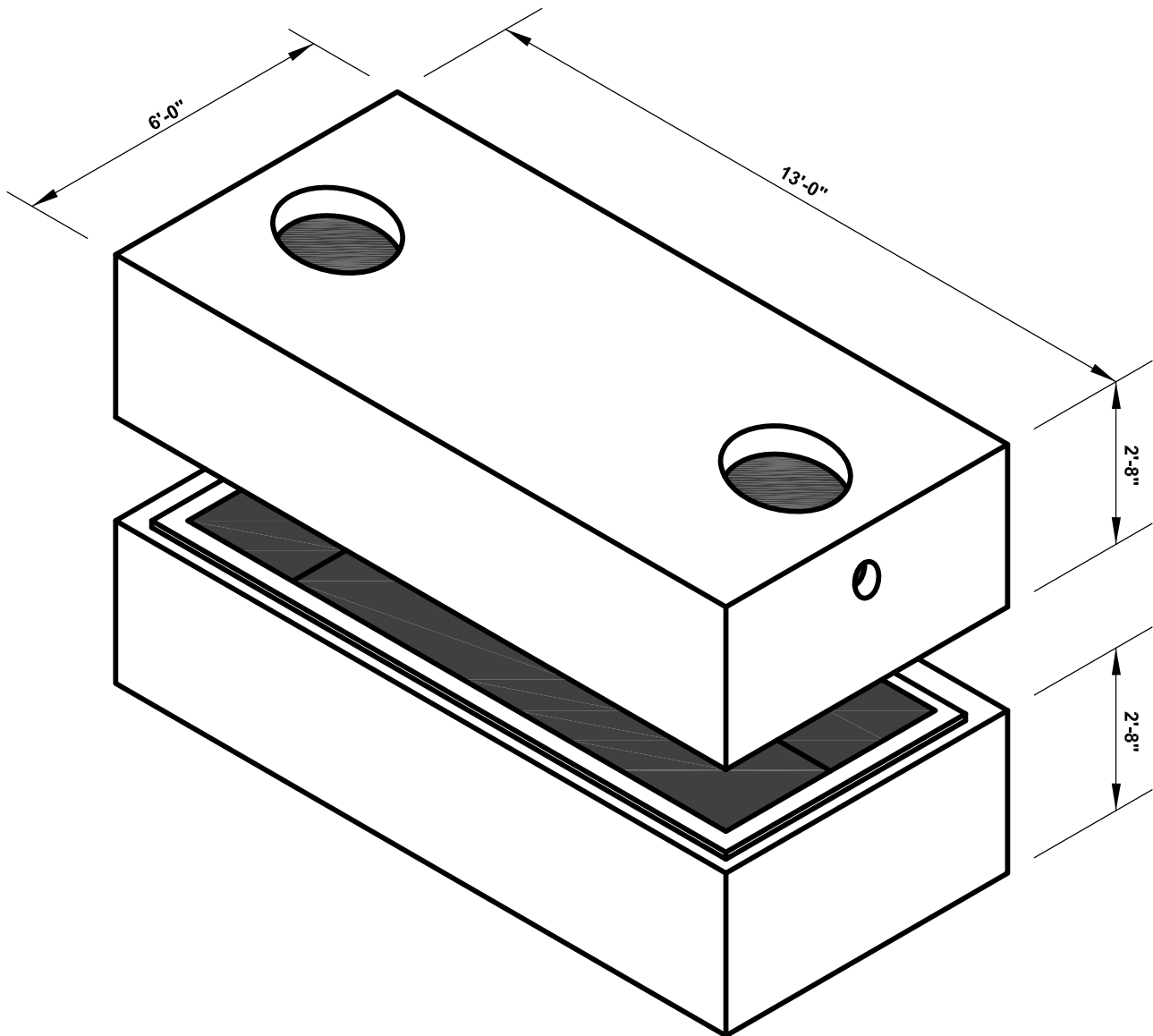
SECTION

### STANDARD SPECIFICATIONS

1. MINIMUM CONCRETE COMPRESSIVE STRENGTH:  $F'_c = 5,000$  PSI
2. REINFORCEMENT: ASTM A615 GRADE 60, MINIMUM 1" COVER
3. DESIGN & DETAILING CODE: ACI318 (UNLESS OTHERWISE SPECIFIED)
4. AASHTO HS20 LIVE LOAD
5. JOINT SEALANT: 1" BUTYL RUBBER
6. APPURTENANCES: FURNISHED & INSTALLED BY OTHERS

# DURASTONE

## 1,500 GALLON OIL/WATER SEPARATOR INTERIOR DIMENSIONS 12'x5'x4'-4"



**APPROX. WEIGHTS:**  
**TOP: 11,200 LB**  
**BASE: 11,700 LB**

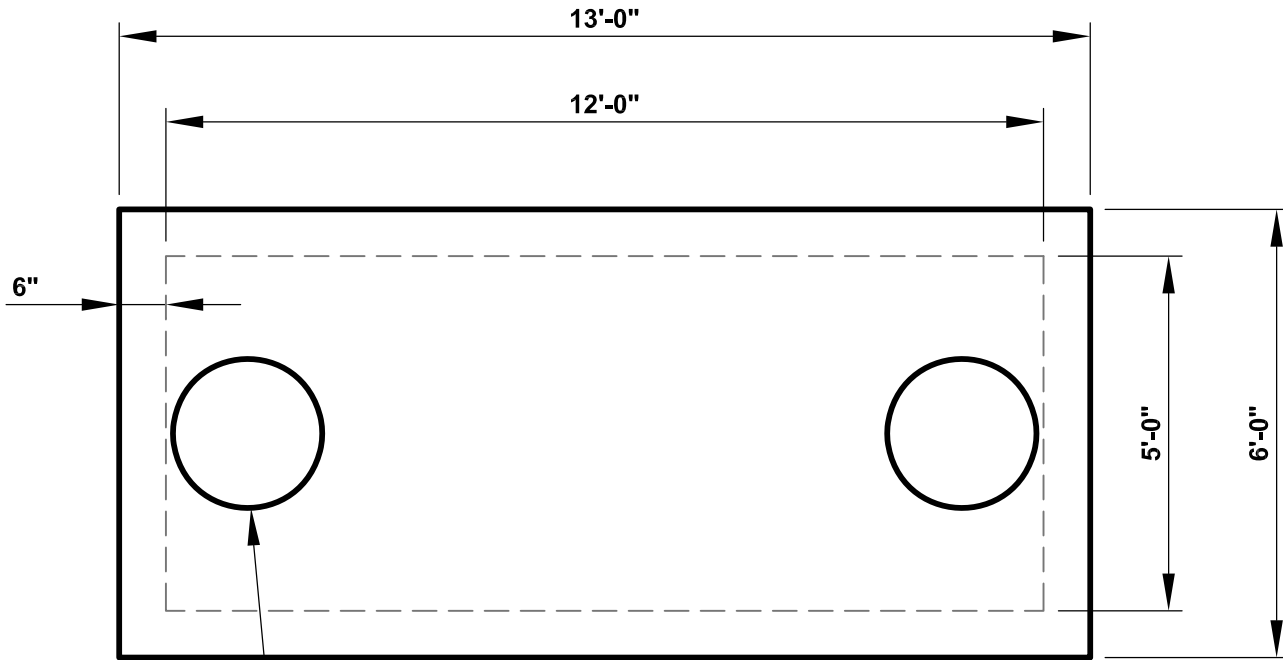
150 HIGGINSON AVENUE - LINCOLN, RI 02865 - Phone (401) 723-7100 - Fax (401) 723-6866

**NPCA**  
CERTIFIED PLANT

# DURASTONE

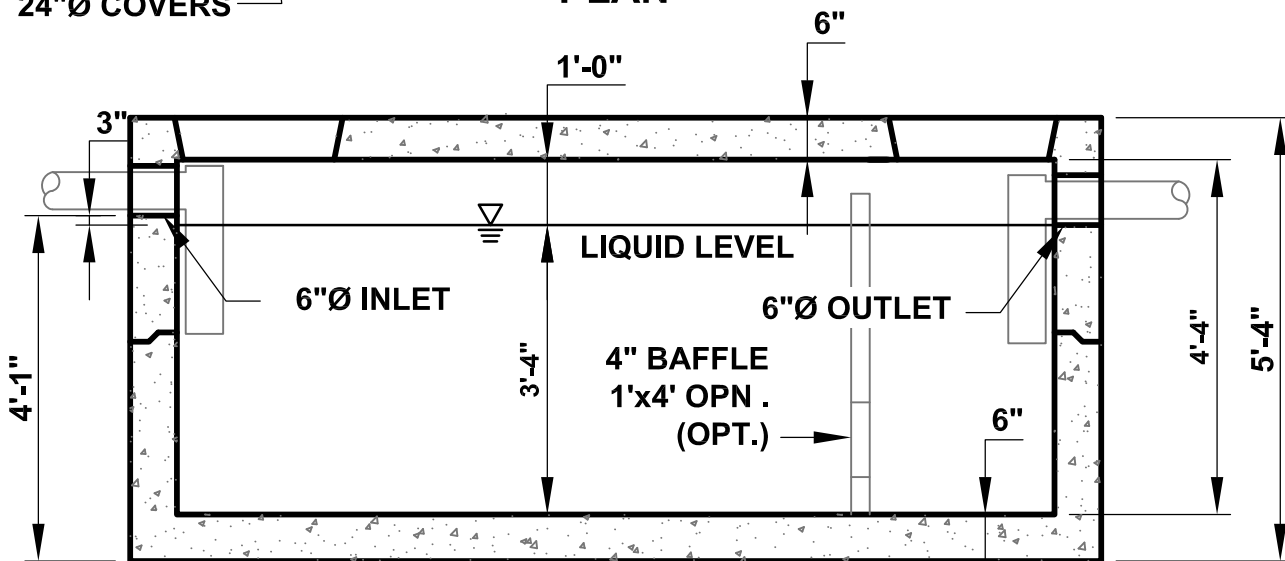
150 HIGGINSON AVENUE - LINCOLN, RI 02865 - Phone (401) 723-7100 - Fax (401) 723-6866

## 1,500 GALLON OIL/WATER SEPARATOR



24"Ø COVERS

PLAN



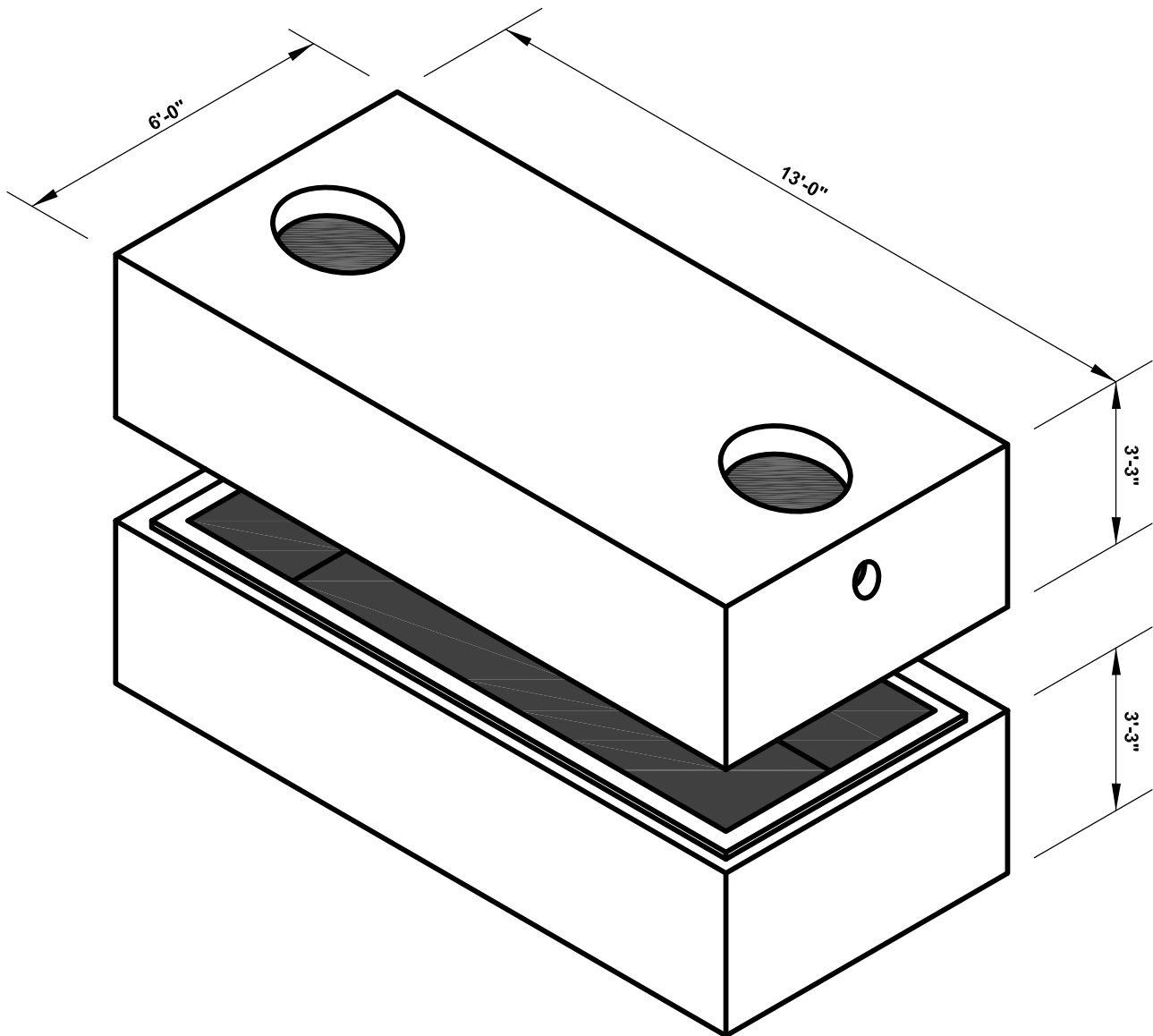
SECTION

### STANDARD SPECIFICATIONS

1. MINIMUM CONCRETE COMPRESSIVE STRENGTH:  $F'_c = 5,000$  PSI
2. REINFORCEMENT: ASTM A615 GRADE 60, MINIMUM 1" COVER
3. DESIGN & DETAILING CODE: ACI318 (UNLESS OTHERWISE SPECIFIED)
4. AASHTO HS20 LIVE LOAD
5. JOINT SEALANT: 1" BUTYL RUBBER
6. APPURTENANCES: FURNISHED & INSTALLED BY OTHERS

# DURASTONE

## **2,000 GAL. OIL/WATER SEPARATOR** **INTERIOR DIMENSIONS 12'x5'x5'-6"**



**APPROX. WEIGHTS:**  
**TOP: 12,800 LB**  
**BASE: 13,300 LB**

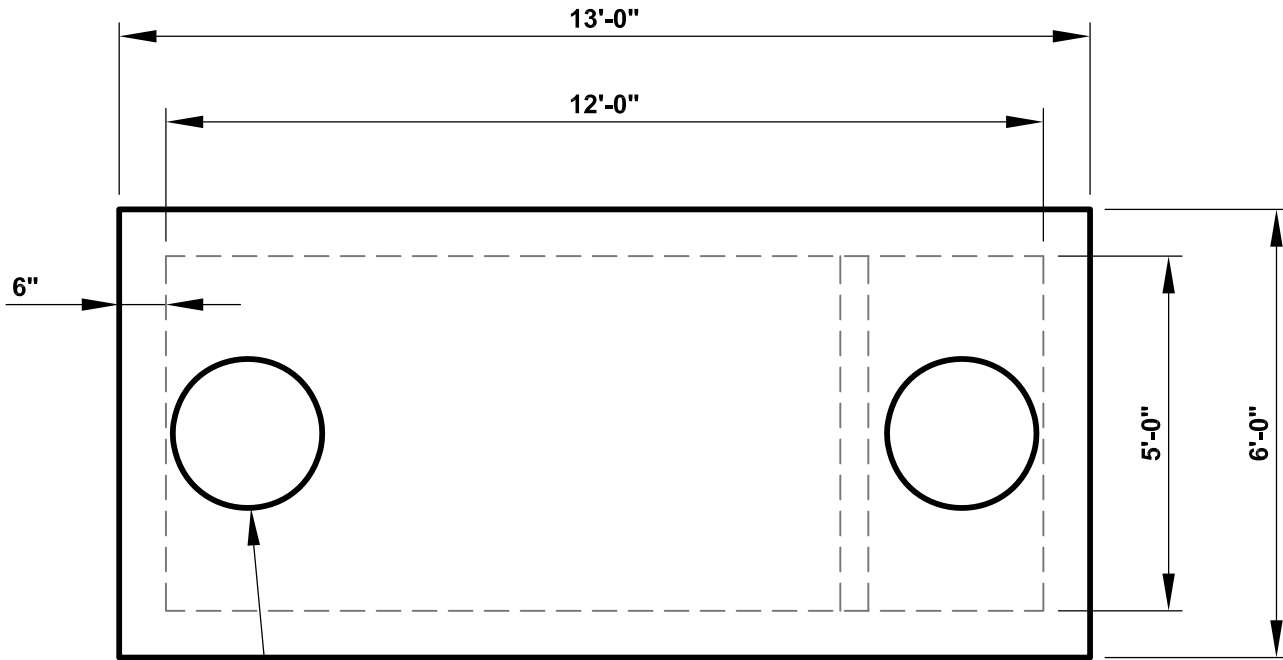
150 HIGGINSON AVENUE - LINCOLN, RI 02865 - Phone (401) 723-7100 - Fax (401) 723-6866

**NPCA**  
CERTIFIED PLANT

# DURASTONE

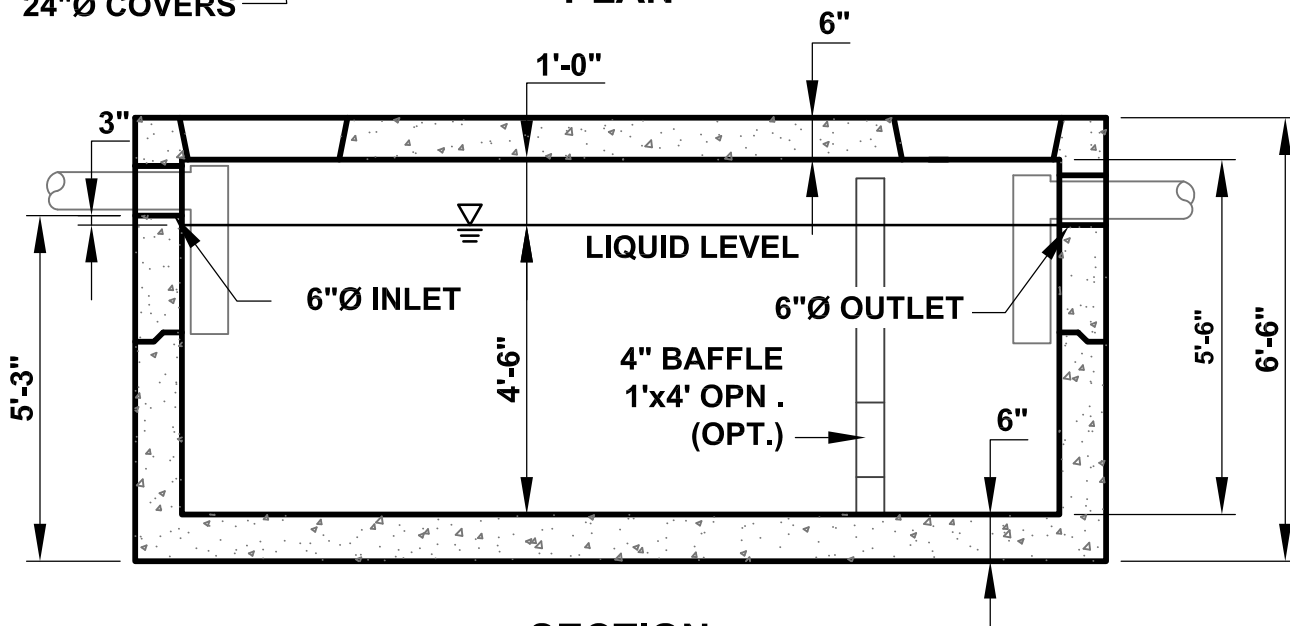
150 HIGGINSON AVENUE - LINCOLN, RI 02865 - Phone (401) 723-7100 - Fax (401) 723-6866

## 2,000 GAL. OIL/WATER SEPARATOR



24"Ø COVERS

PLAN



SECTION

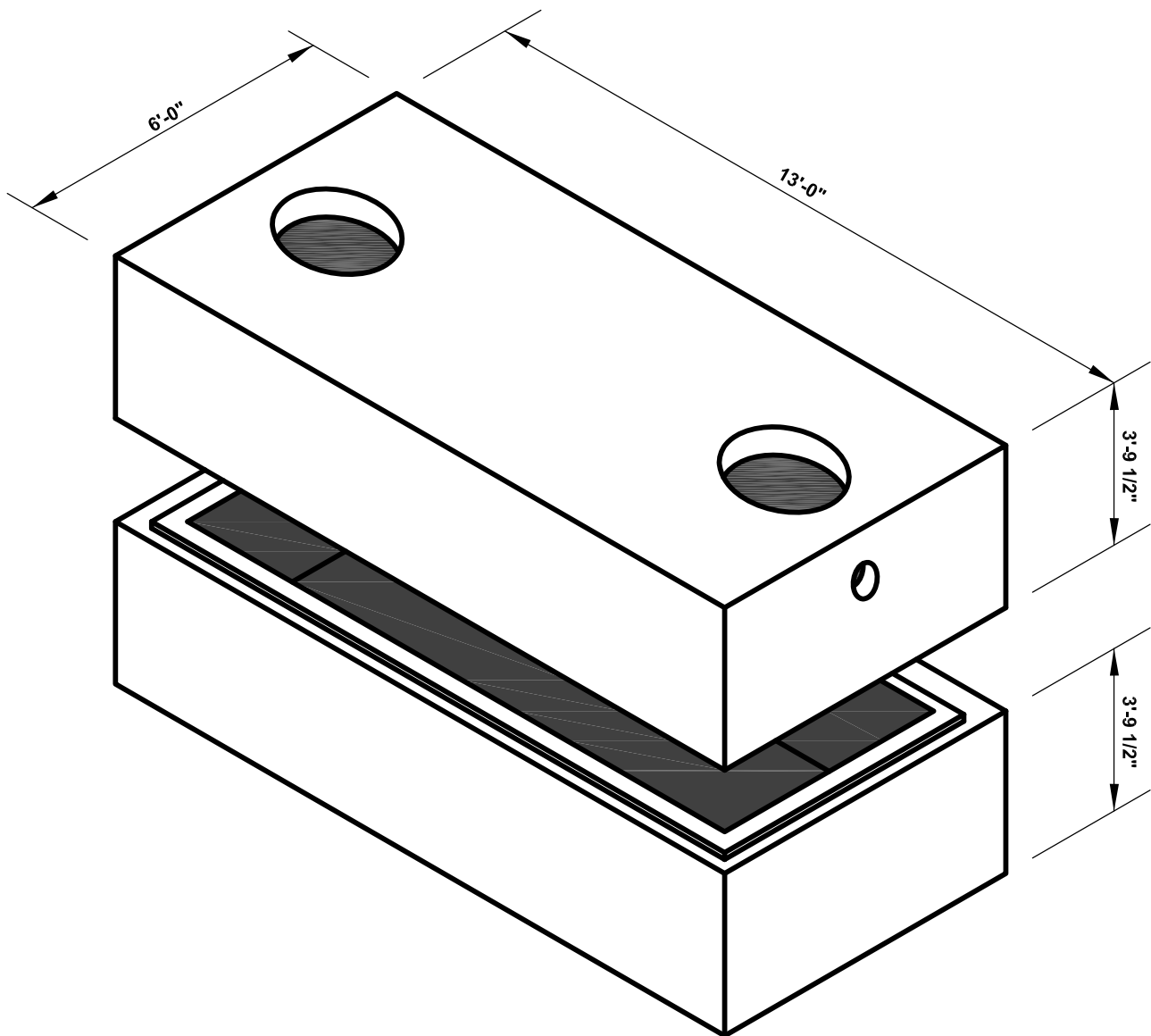
### STANDARD SPECIFICATIONS

1. MINIMUM CONCRETE COMPRESSIVE STRENGTH:  $F'_c = 5,000$  PSI
2. REINFORCEMENT: ASTM A615 GRADE 60, MINIMUM 1" COVER
3. DESIGN & DETAILING CODE: ACI318 (UNLESS OTHERWISE SPECIFIED)
4. AASHTO HS20 LIVE LOAD
5. JOINT SEALANT: 1" BUTYL RUBBER
6. APPURTENANCES: FURNISHED & INSTALLED BY OTHERS

# DURASTONE

## 2,500 GAL. OIL/WATER SEPARATOR

**INTERIOR DIMENSIONS 12'x5'x6'-7"**



**APPROX. WEIGHTS:**

**TOP: 14,300 LB**

**BASE: 14,800 LB**

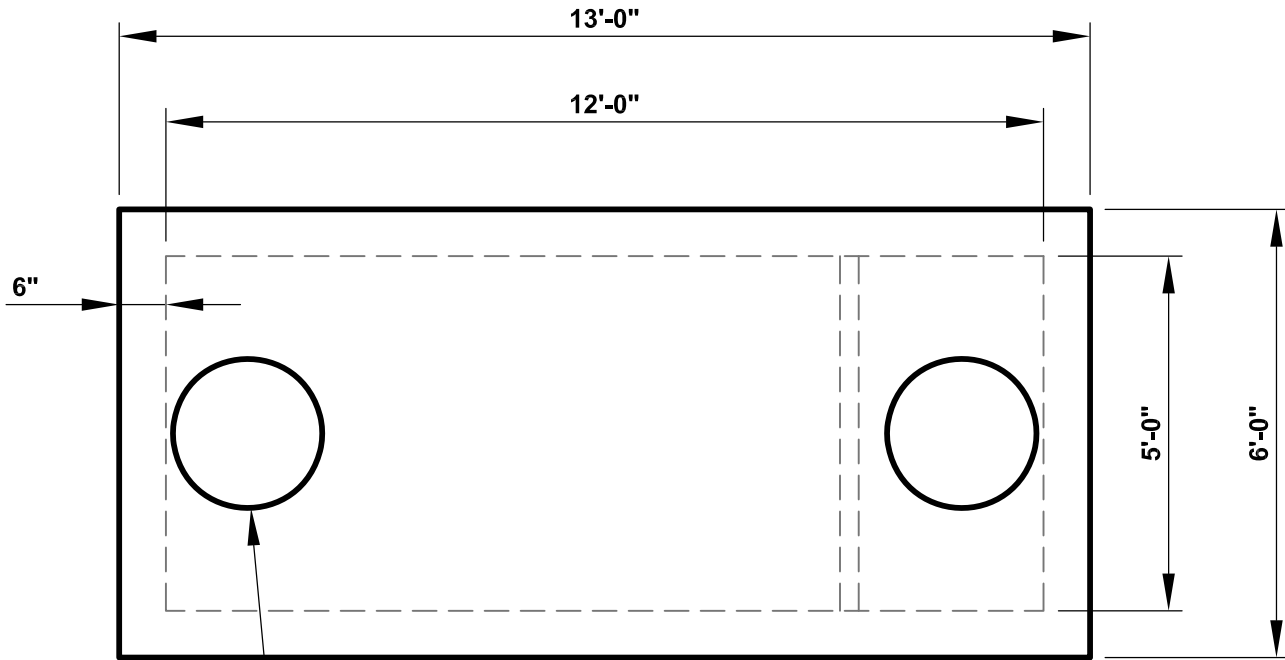
150 HIGGINSON AVENUE - LINCOLN, RI 02865 - Phone (401) 723-7100 - Fax (401) 723-6866

**NPCA**  
CERTIFIED PLANT

# DURASTONE

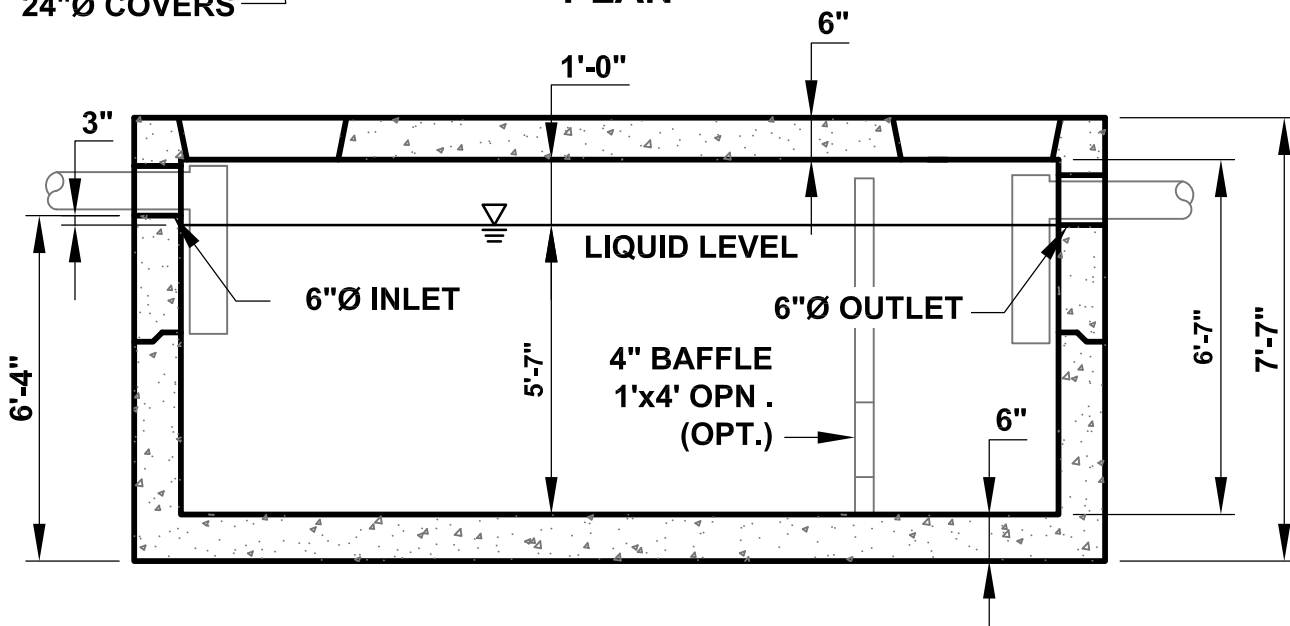
150 HIGGINSON AVENUE - LINCOLN, RI 02865 - Phone (401) 723-7100 - Fax (401) 723-6866

## 2,500 GAL. OIL/WATER SEPARATOR



24"Ø COVERS

PLAN



SECTION

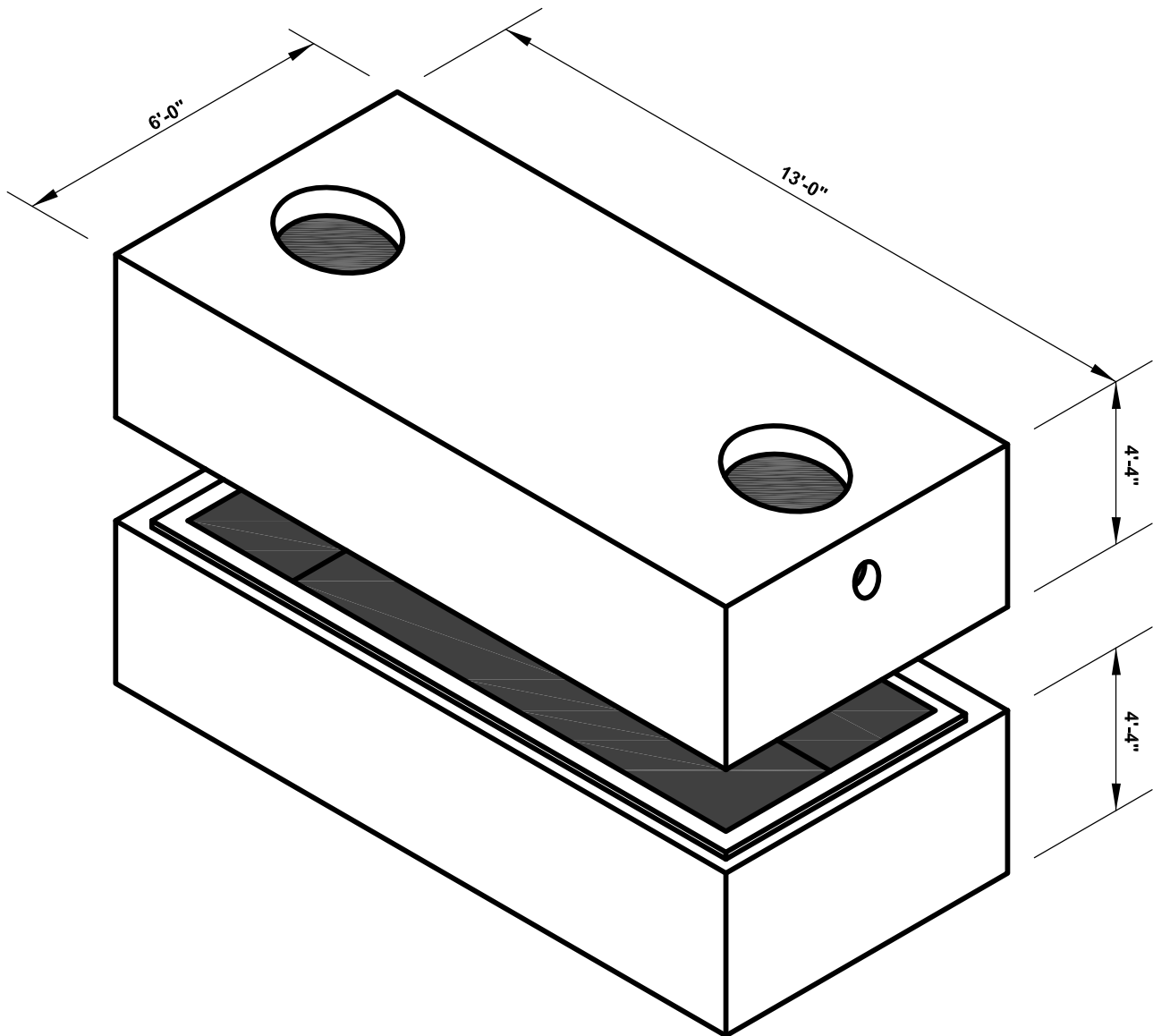
### STANDARD SPECIFICATIONS

1. MINIMUM CONCRETE COMPRESSIVE STRENGTH:  $F'_c = 5,000$  PSI
2. REINFORCEMENT: ASTM A615 GRADE 60, MINIMUM 1" COVER
3. DESIGN & DETAILING CODE: ACI318 (UNLESS OTHERWISE SPECIFIED)
4. AASHTO HS20 LIVE LOAD
5. JOINT SEALANT: 1" BUTYL RUBBER
6. APPURTENANCES: FURNISHED & INSTALLED BY OTHERS

# DURASTONE

## 3,000 GAL. OIL/WATER SEPARATOR

**INTERIOR DIMENSIONS 12'x5'x7'-8"**



**APPROX. WEIGHTS:**

**TOP: 15,800 LB**

**BASE: 16,300 LB**

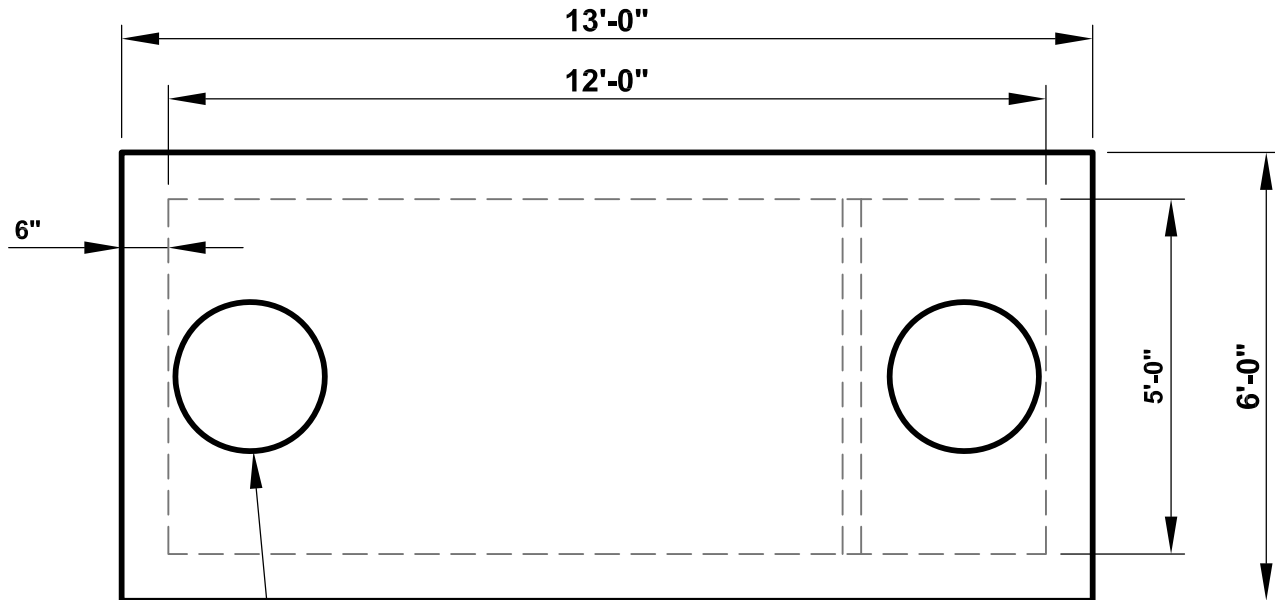
150 HIGGINSON AVENUE - LINCOLN, RI 02865 - Phone (401) 723-7100 - Fax (401) 723-6866

**NPCA**  
CERTIFIED PLANT

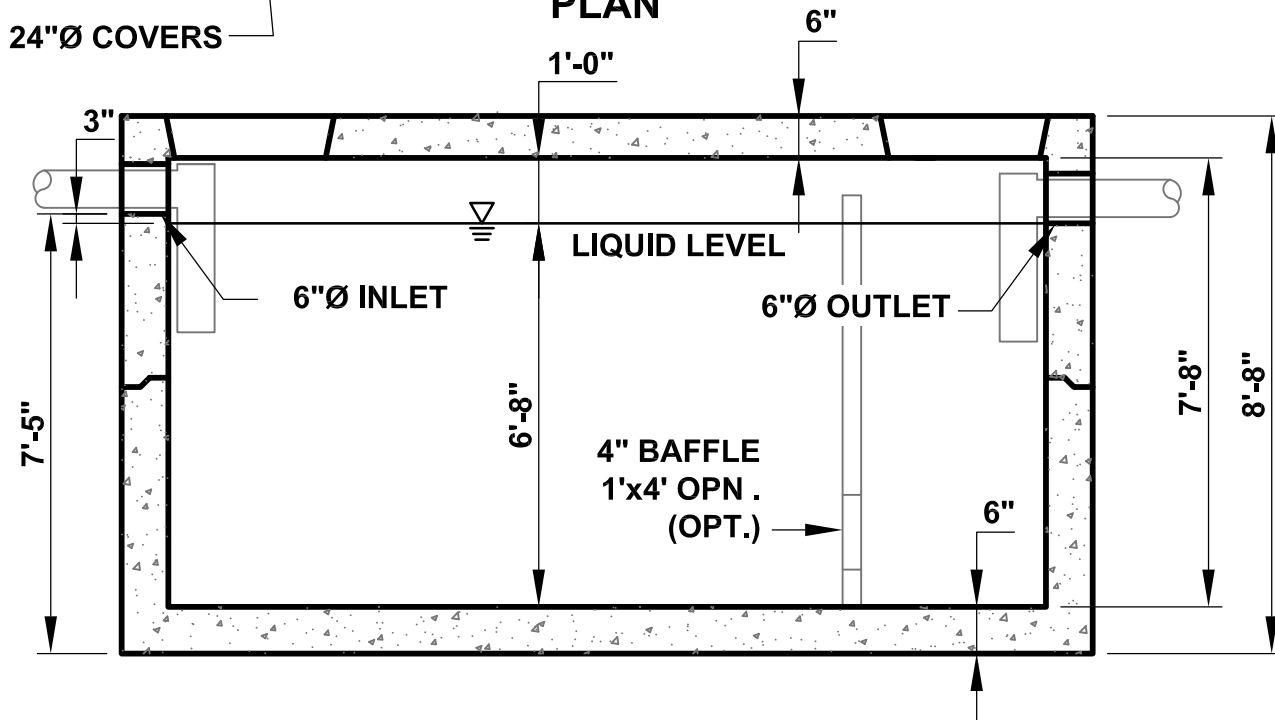
# DURASTONE

150 HIGGINSON AVENUE - LINCOLN, RI 02865 - Phone (401) 723-7100 - Fax (401) 723-6866

## 3,000 GAL. OIL/WATER SEPARATOR



PLAN



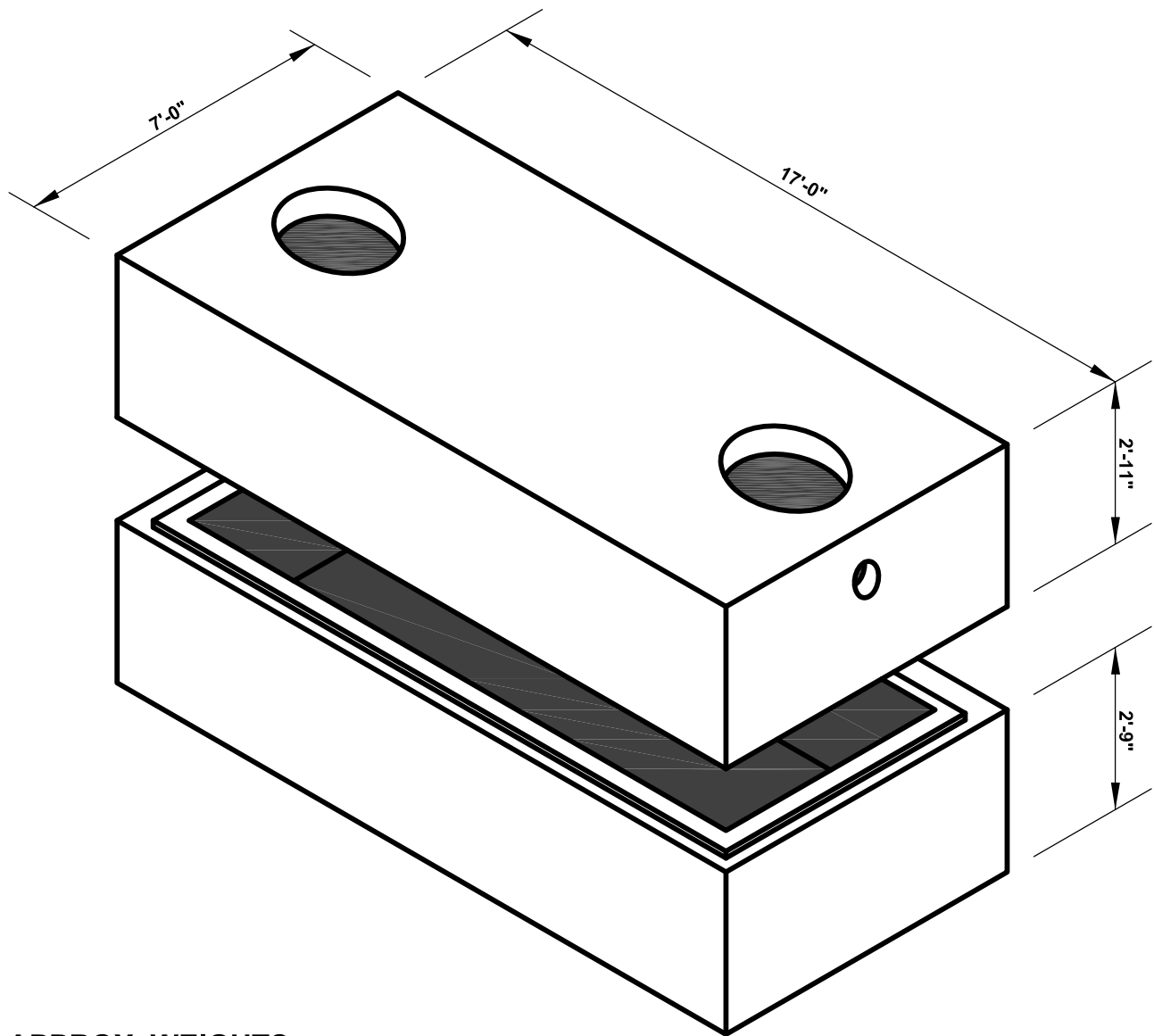
SECTION

### STANDARD SPECIFICATIONS

1. MINIMUM CONCRETE COMPRESSIVE STRENGTH:  $F'_c = 5,000$  PSI
2. REINFORCEMENT: ASTM A615 GRADE 60, MINIMUM 1" COVER
3. DESIGN & DETAILING CODE: ACI318 (UNLESS OTHERWISE SPECIFIED)
4. AASHTO HS20 LIVE LOAD
5. JOINT SEALANT: 1" BUTYL RUBBER
6. APPURTENANCES: FURNISHED & INSTALLED BY OTHERS

# DURASTONE

## 2,500 GAL. OIL/WATER SEPARATOR INTERIOR DIMENSIONS 16'x6'x4'-6"



**APPROX. WEIGHTS:**  
**TOP: 18,600 LB**  
**BASE: 16,700 LB**

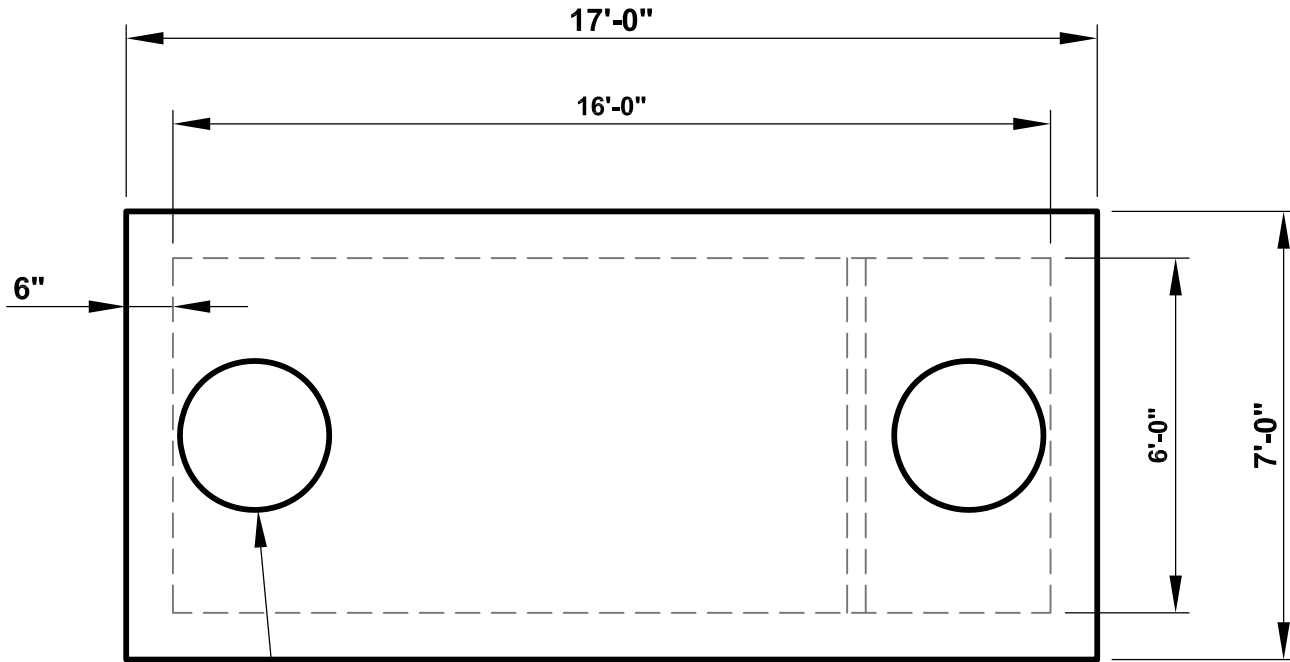
150 HIGGINSON AVENUE - LINCOLN, RI 02865 - Phone (401) 723-7100 - Fax (401) 723-6866

**NPCA**  
CERTIFIED PLANT

# DURASTONE

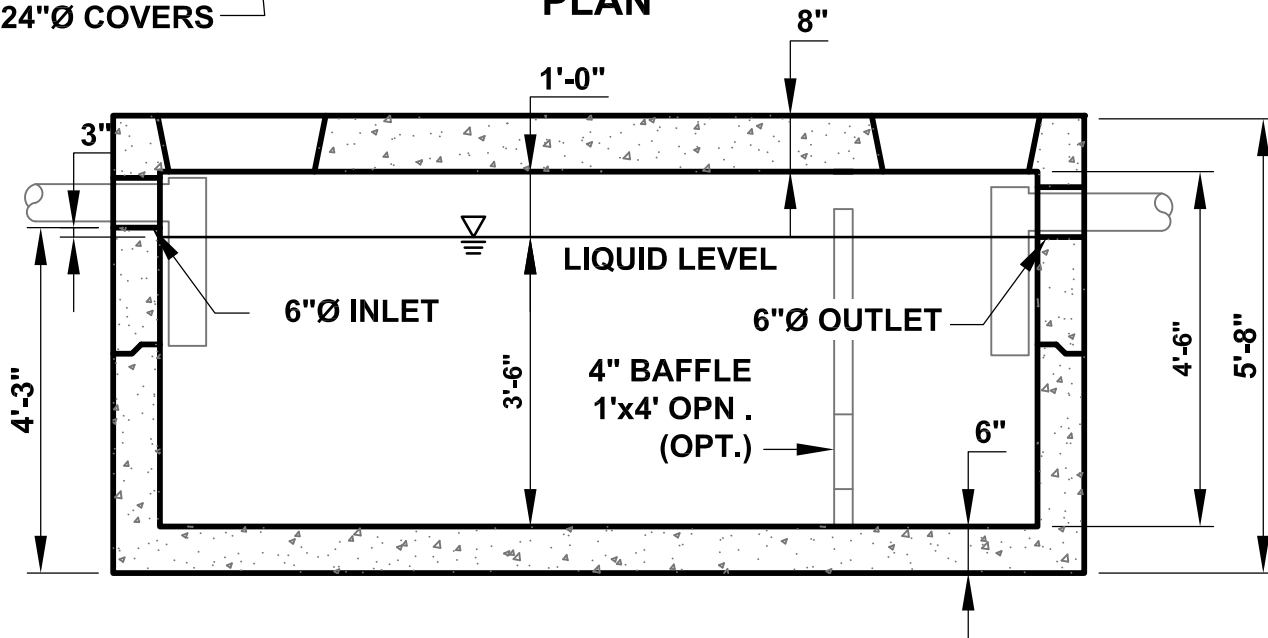
150 HIGGINSON AVENUE - LINCOLN, RI 02865 - Phone (401) 723-7100 - Fax (401) 723-6866

## 2,500 GAL. OIL/WATER SEPARATOR



24"Ø COVERS

PLAN



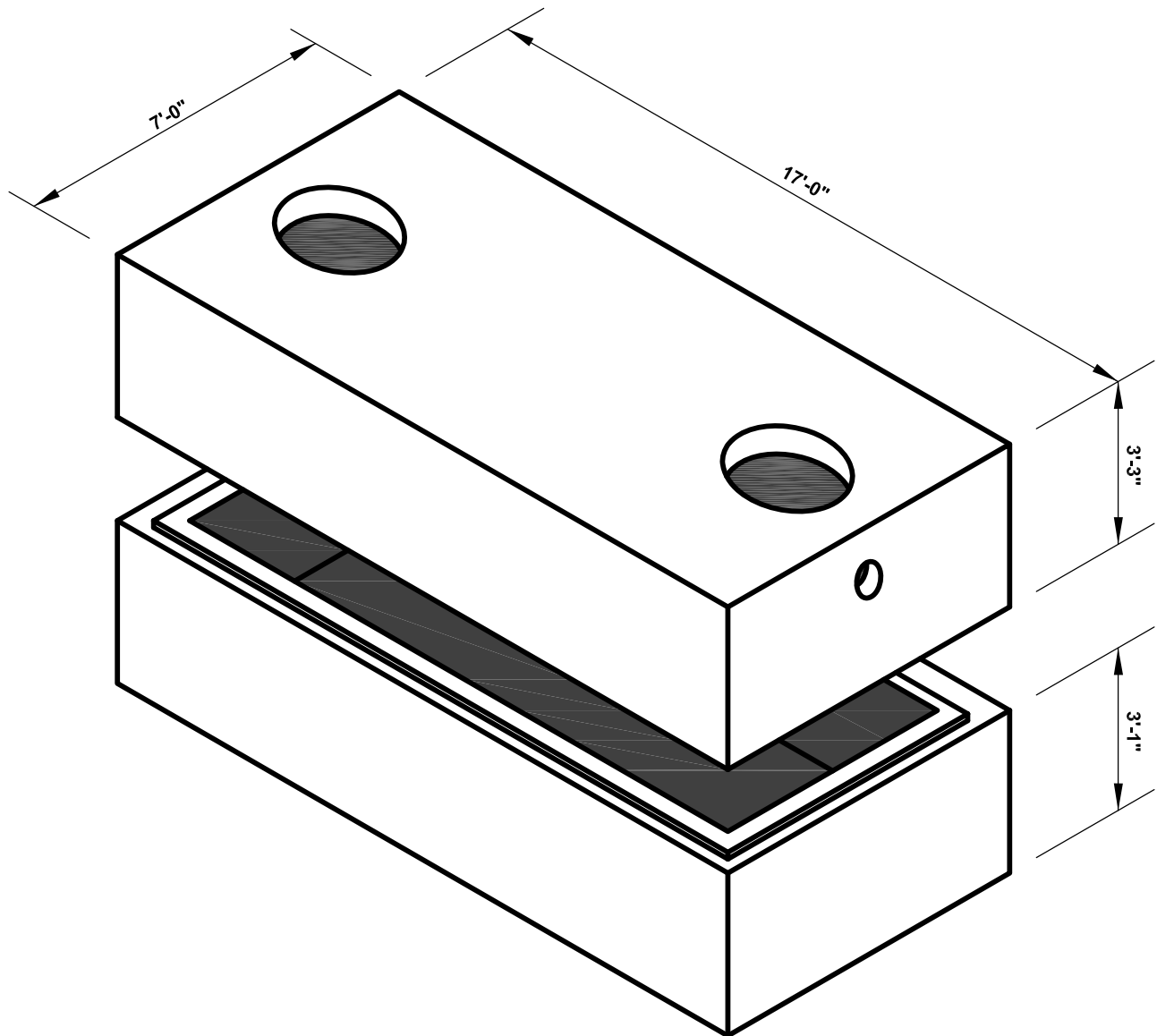
SECTION

### STANDARD SPECIFICATIONS

1. MINIMUM CONCRETE COMPRESSIVE STRENGTH:  $F'_c = 5,000$  PSI
2. REINFORCEMENT: ASTM A615 GRADE 60, MINIMUM 1" COVER
3. DESIGN & DETAILING CODE: ACI318 (UNLESS OTHERWISE SPECIFIED)
4. AASHTO HS20 LIVE LOAD
5. JOINT SEALANT: 1" BUTYL RUBBER
6. APPURTENANCES: FURNISHED & INSTALLED BY OTHERS

# DURASTONE

## 3,000 GAL. OIL/WATER SEPARATOR INTERIOR DIMENSIONS 16'X6'X5'-2"



**APPROX. WEIGHTS:**  
**TOP: 19,800 LB**  
**BASE: 17,900 LB**

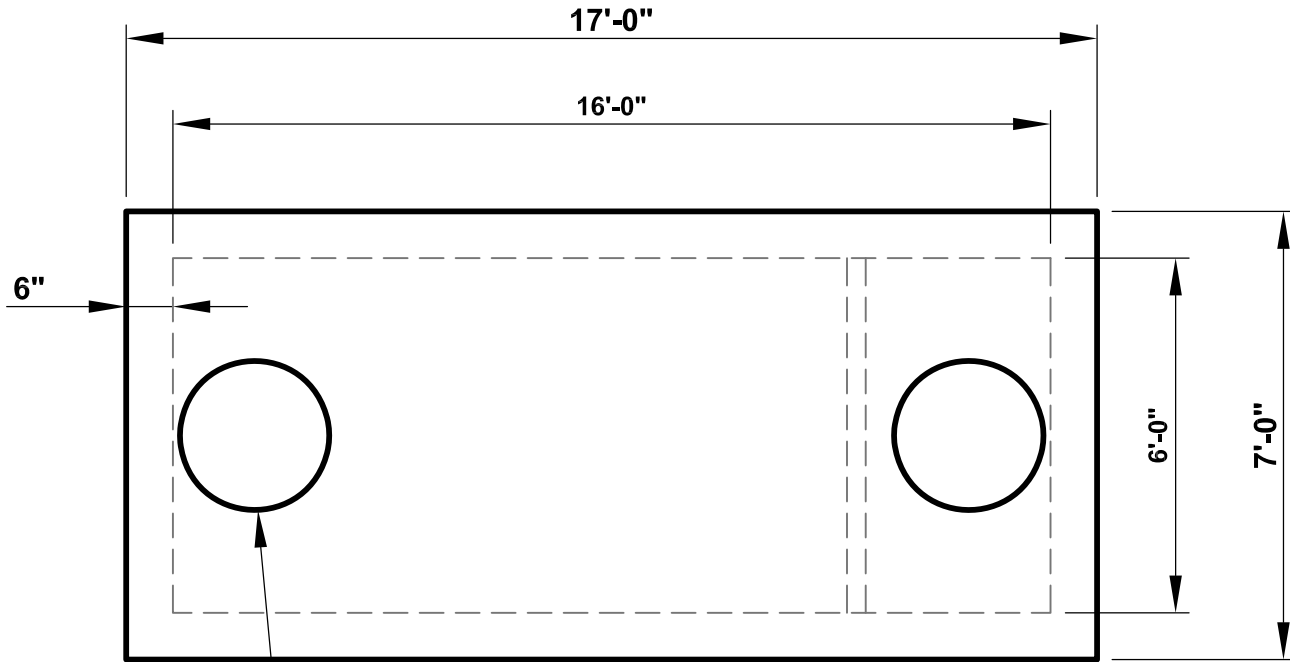
150 HIGGINSON AVENUE - LINCOLN, RI 02865 - Phone (401) 723-7100 - Fax (401) 723-6866

**NPCA**  
CERTIFIED PLANT

# DURASTONE

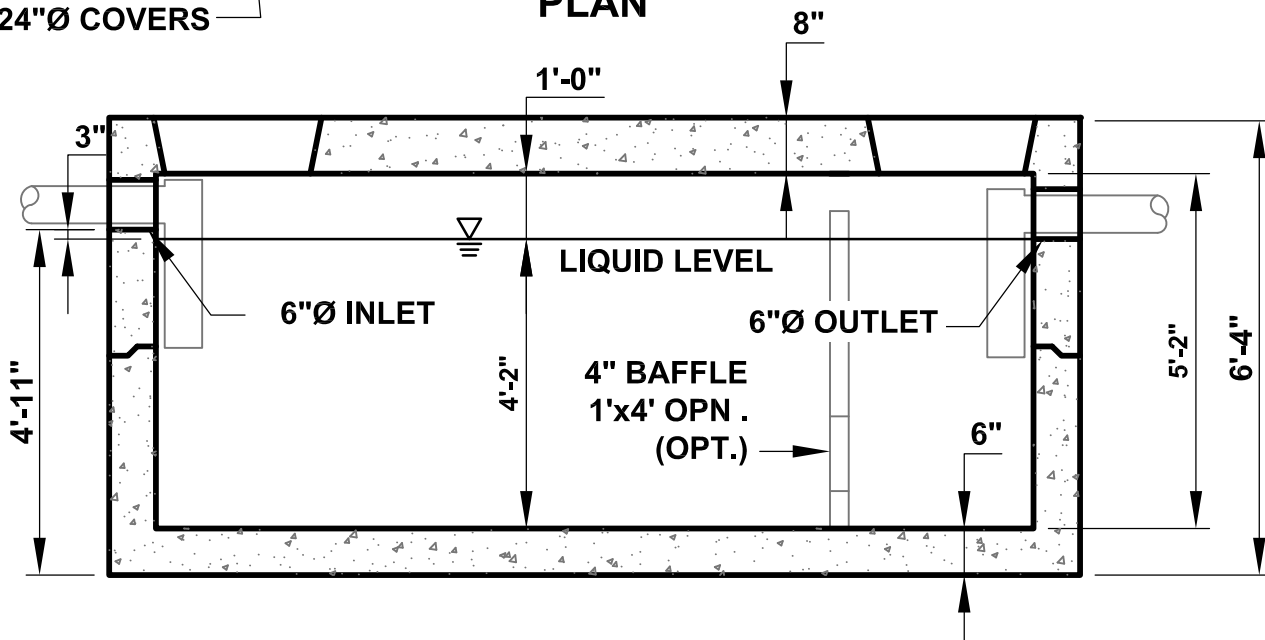
150 HIGGINSON AVENUE - LINCOLN, RI 02865 - Phone (401) 723-7100 - Fax (401) 723-6866

## 3,000 GAL. OIL/WATER SEPARATOR



24"Ø COVERS

PLAN



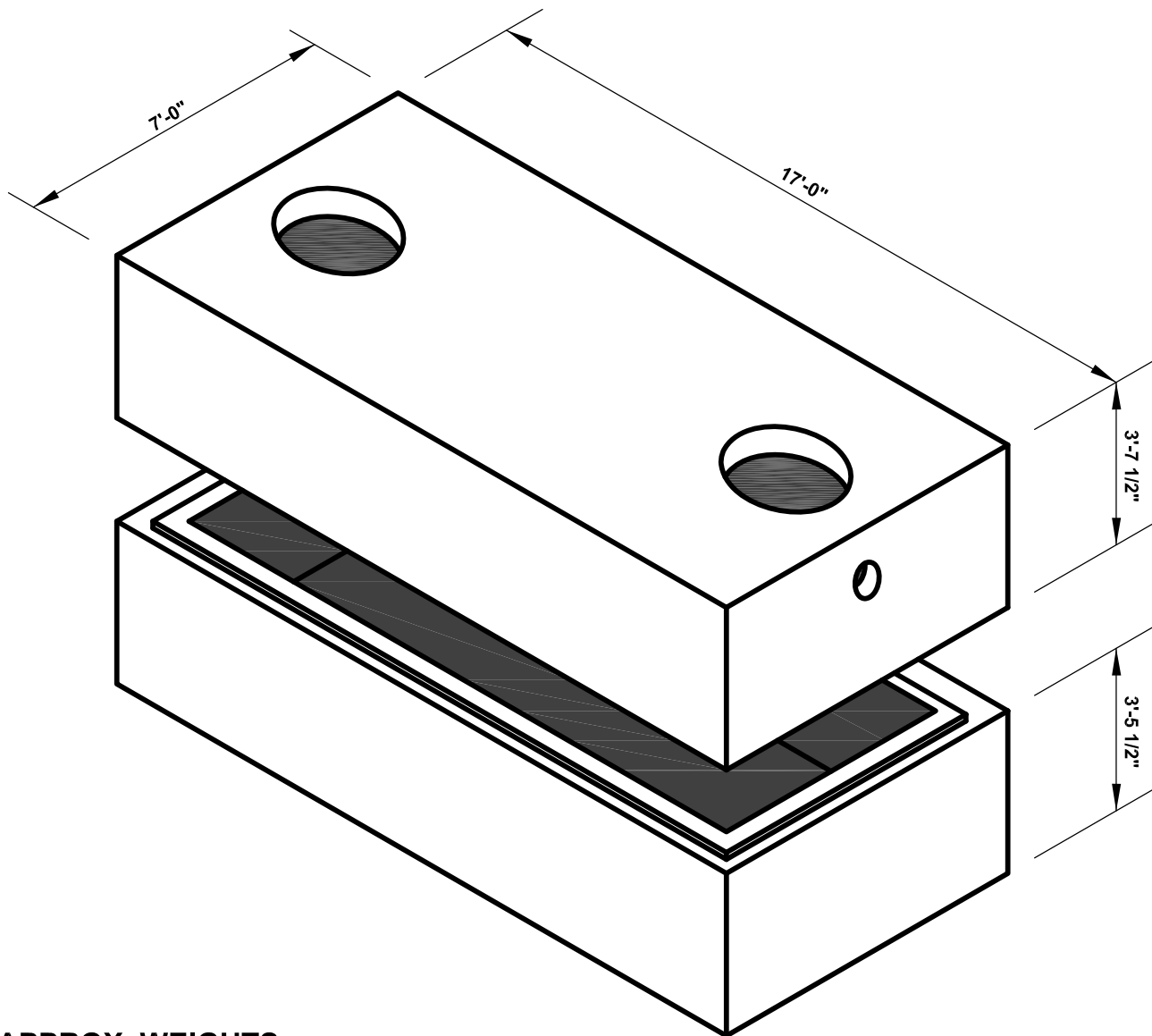
SECTION

### STANDARD SPECIFICATIONS

1. MINIMUM CONCRETE COMPRESSIVE STRENGTH:  $F'_c = 5,000$  PSI
2. REINFORCEMENT: ASTM A615 GRADE 60, MINIMUM 1" COVER
3. DESIGN & DETAILING CODE: ACI318 (UNLESS OTHERWISE SPECIFIED)
4. AASHTO HS20 LIVE LOAD
5. JOINT SEALANT: 1" BUTYL RUBBER
6. APPURTENANCES: FURNISHED & INSTALLED BY OTHERS

# DURASTONE

## 3,500 GAL. OIL/WATER SEPARATOR INTERIOR DIMENSIONS 16'X6'X5'-11"



**APPROX. WEIGHTS:**  
**TOP: 21,000 LB**  
**BASE: 19,100 LB**

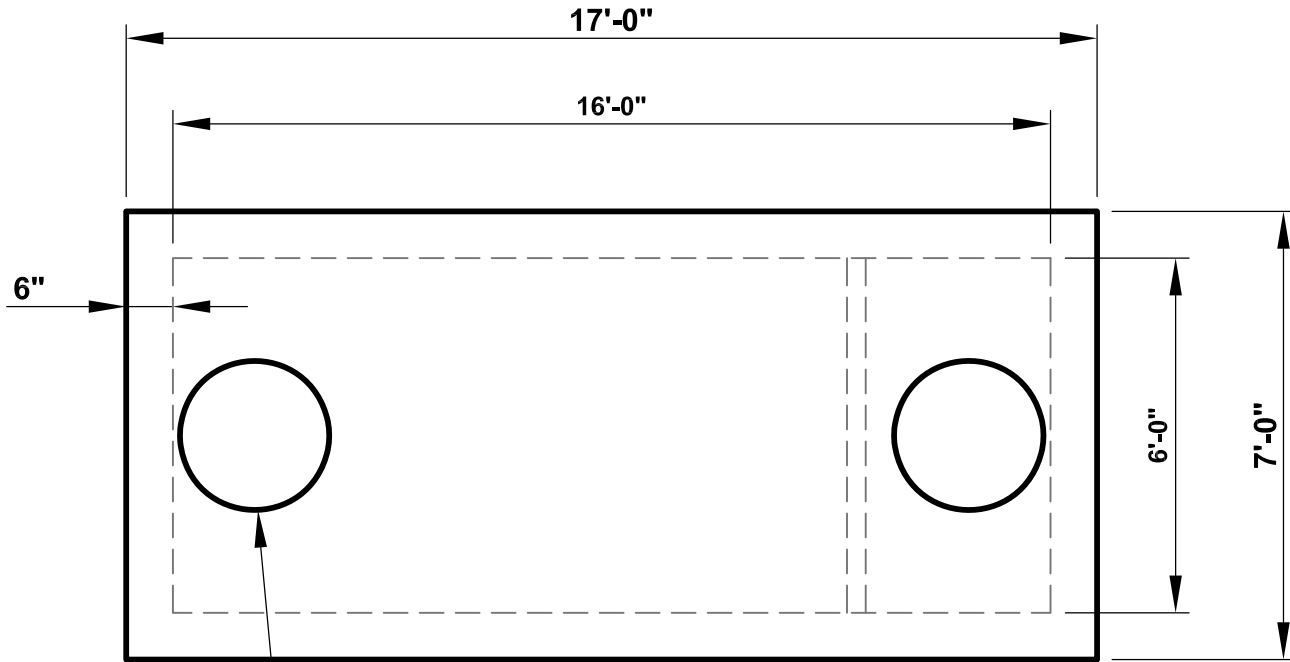
150 HIGGINSON AVENUE - LINCOLN, RI 02865 - Phone (401) 723-7100 - Fax (401) 723-6866

**NPCA**  
CERTIFIED PLANT

# DURASTONE

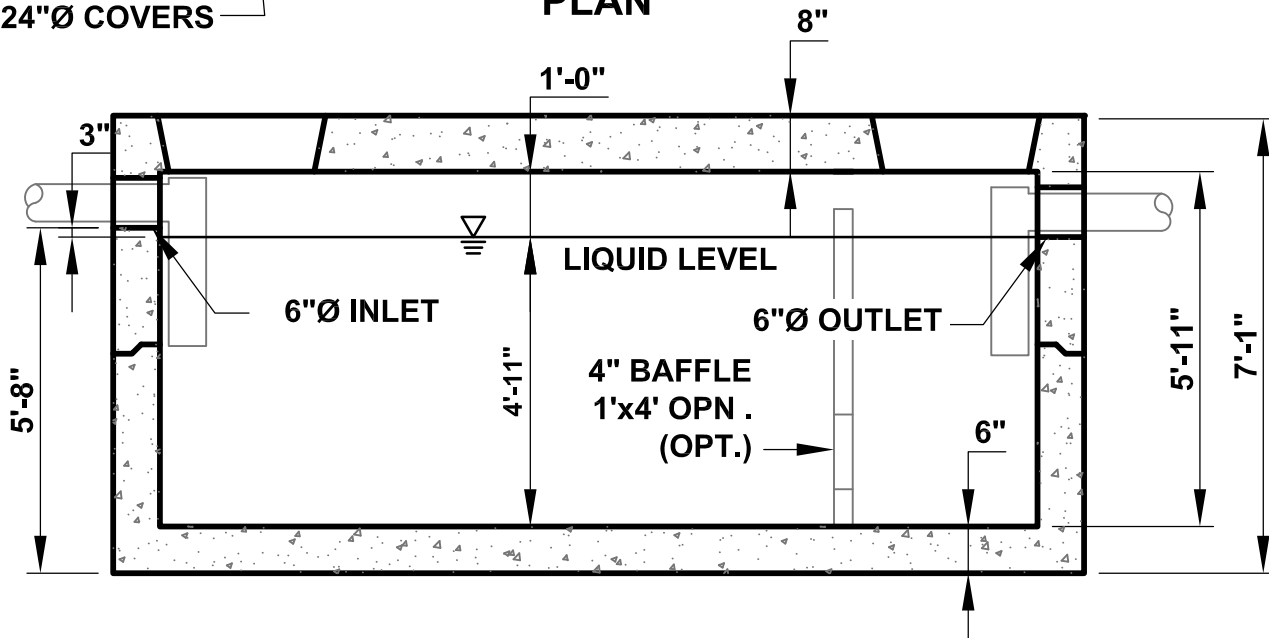
150 HIGGINSON AVENUE - LINCOLN, RI 02865 - Phone (401) 723-7100 - Fax (401) 723-6866

## 3,500 GAL. OIL/WATER SEPARATOR



24"Ø COVERS

PLAN



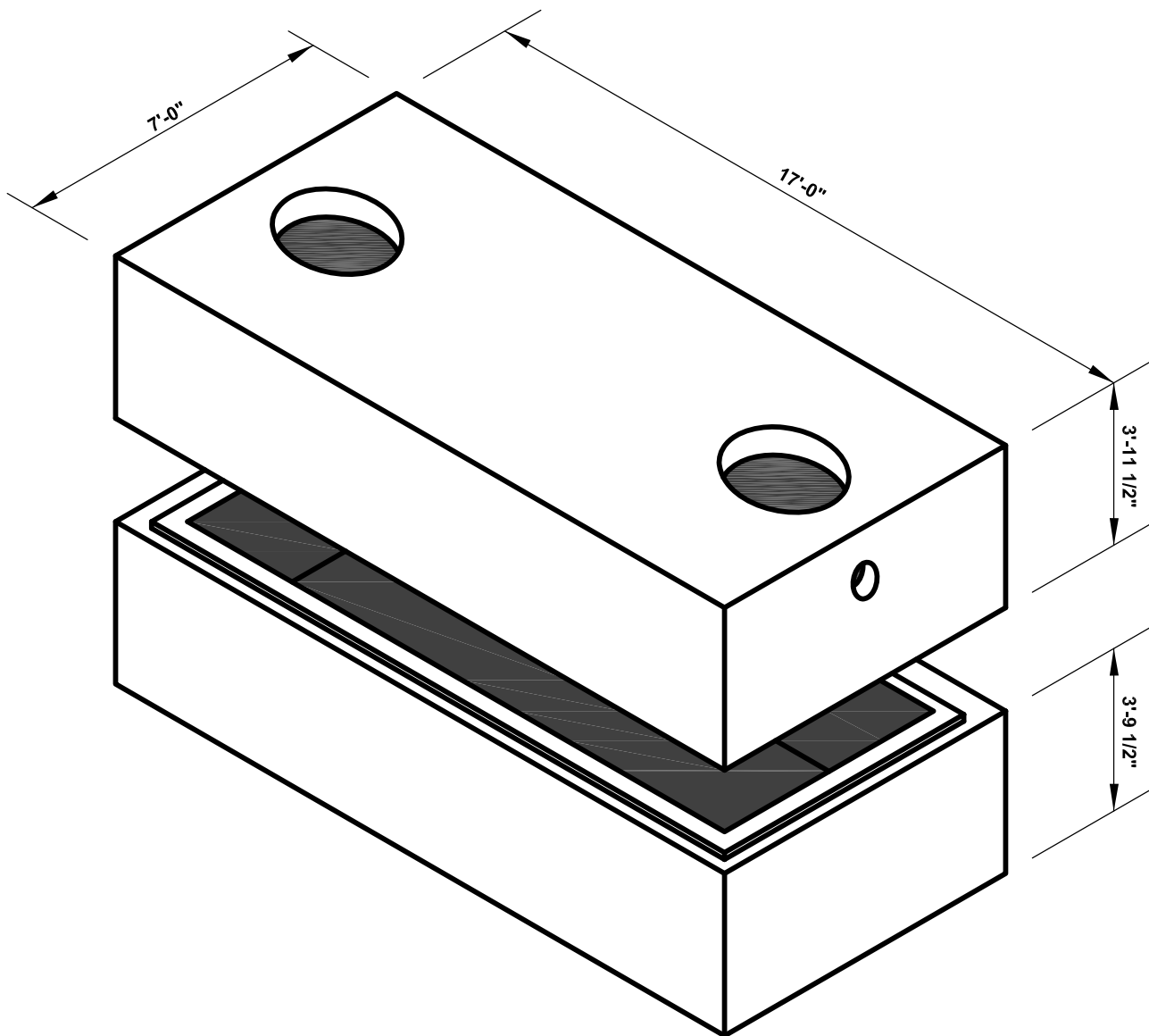
SECTION

### STANDARD SPECIFICATIONS

1. MINIMUM CONCRETE COMPRESSIVE STRENGTH:  $F'_c = 5,000$  PSI
2. REINFORCEMENT: ASTM A615 GRADE 60, MINIMUM 1" COVER
3. DESIGN & DETAILING CODE: ACI318 (UNLESS OTHERWISE SPECIFIED)
4. AASHTO HS20 LIVE LOAD
5. JOINT SEALANT: 1" BUTYL RUBBER
6. APPURTENANCES: FURNISHED & INSTALLED BY OTHERS

# DURASTONE

## 4,000 GAL. OIL/WATER SEPARATOR INTERIOR DIMENSIONS 16'X6'X6'-7"



**APPROX. WEIGHTS:**  
**TOP: 22,200 LB**  
**BASE: 20,300 LB**

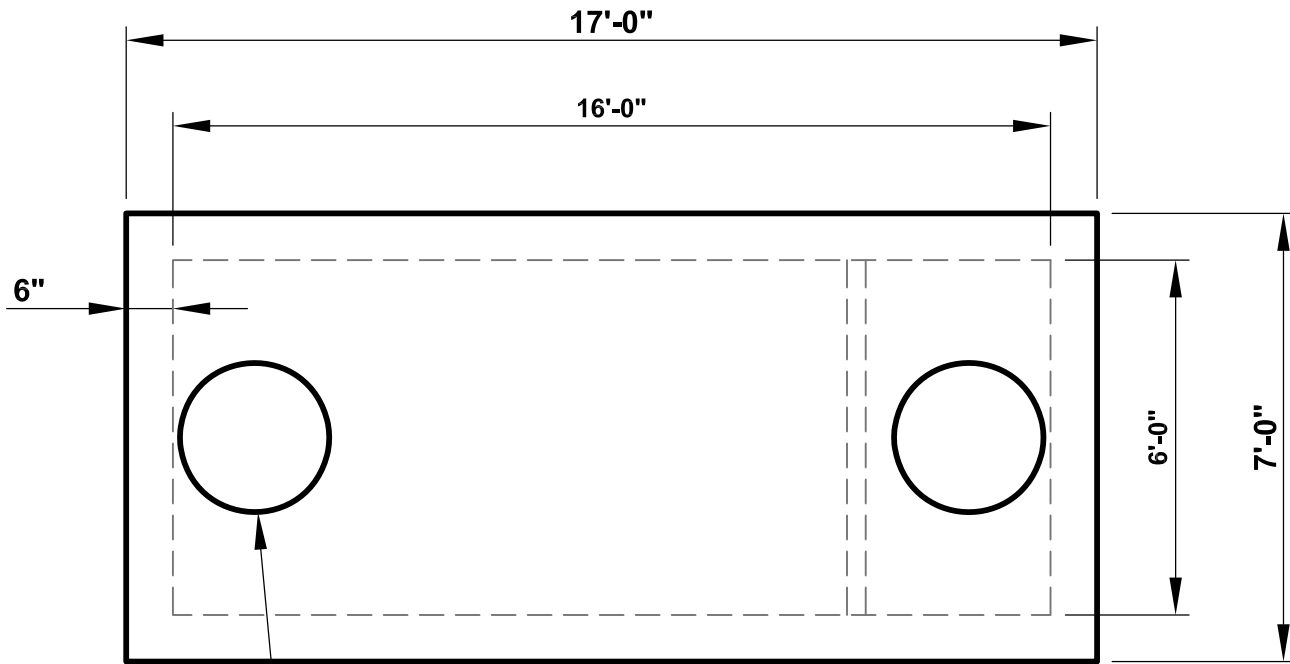
150 HIGGINSON AVENUE - LINCOLN, RI 02865 - Phone (401) 723-7100 - Fax (401) 723-6866

**NPCA**  
CERTIFIED PLANT

# DURASTONE

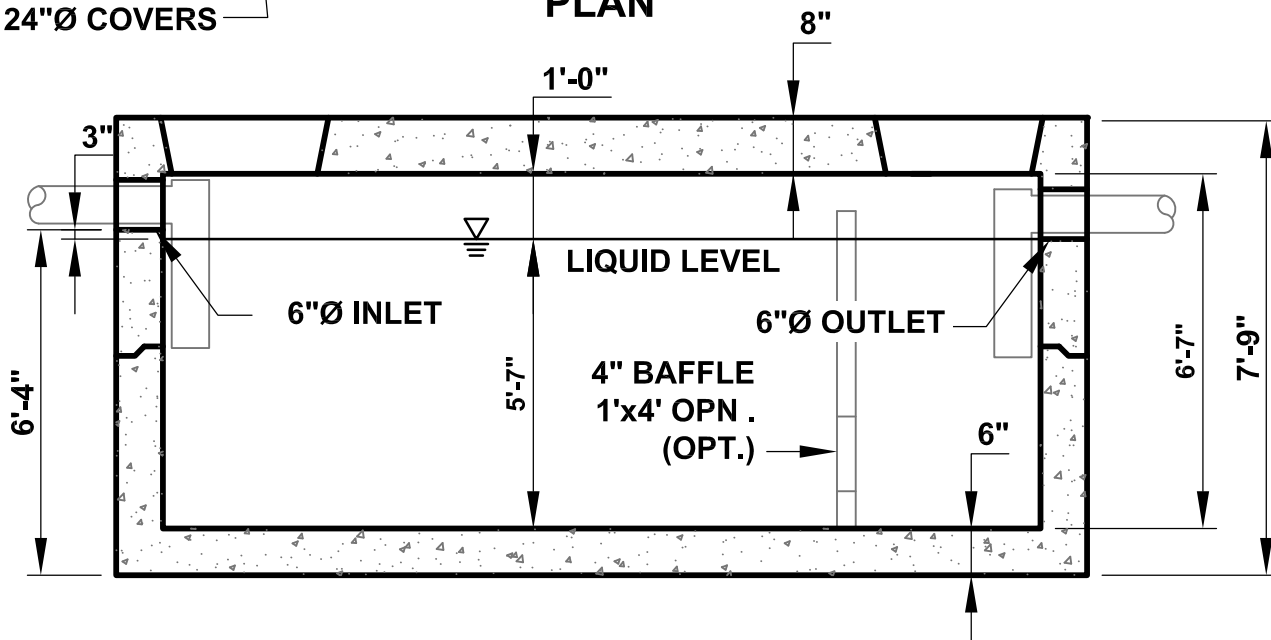
150 HIGGINSON AVENUE - LINCOLN, RI 02865 - Phone (401) 723-7100 - Fax (401) 723-6866

## 4,000 GAL. OIL/WATER SEPARATOR



24"Ø COVERS

PLAN



SECTION

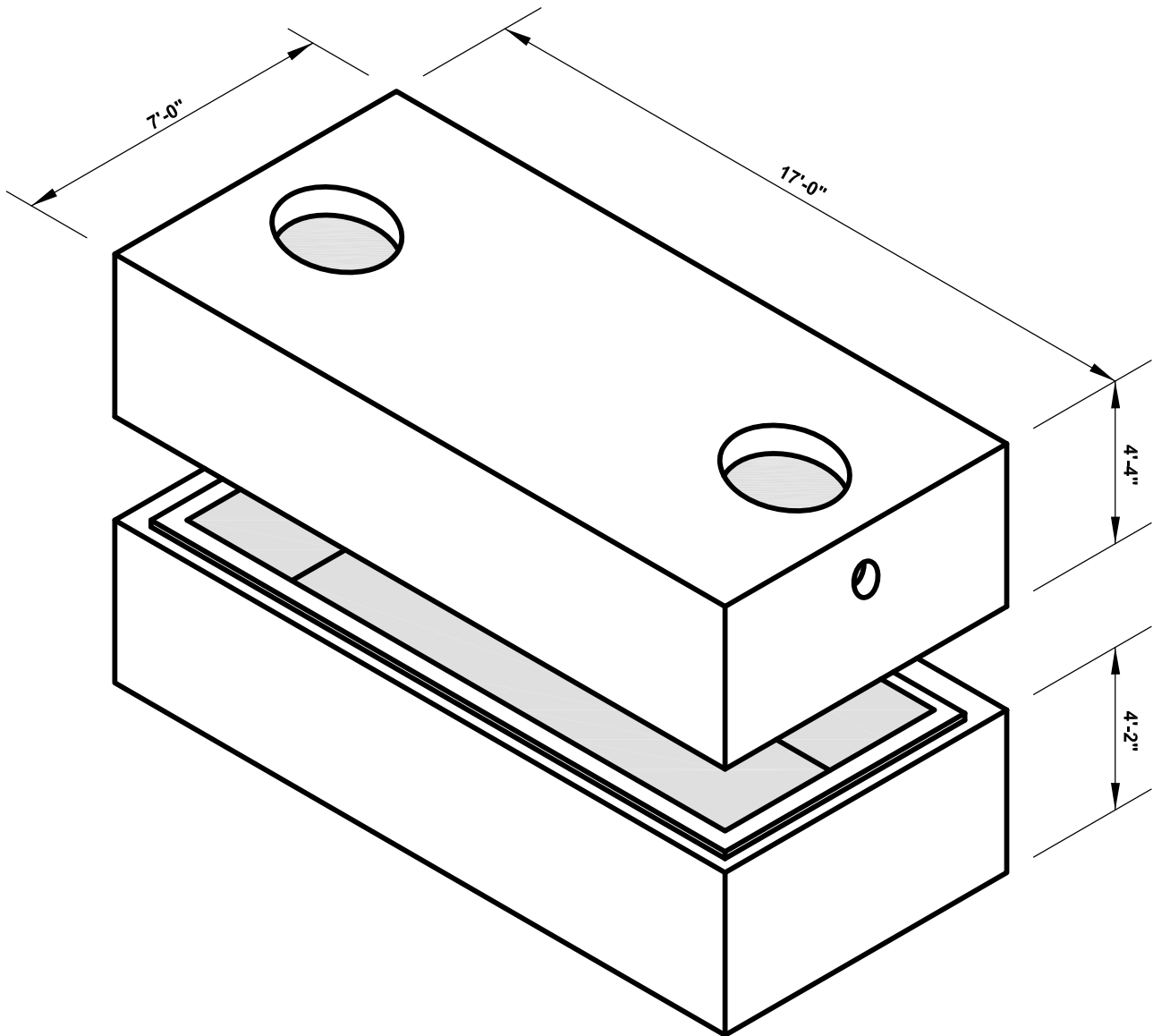
### STANDARD SPECIFICATIONS

1. MINIMUM CONCRETE COMPRESSIVE STRENGTH:  $F'_c = 5,000$  PSI
2. REINFORCEMENT: ASTM A615 GRADE 60, MINIMUM 1" COVER
3. DESIGN & DETAILING CODE: ACI318 (UNLESS OTHERWISE SPECIFIED)
4. AASHTO HS20 LIVE LOAD
5. JOINT SEALANT: 1" BUTYL RUBBER
6. APPURTENANCES: FURNISHED & INSTALLED BY OTHERS

# DURASTONE

## 4,500 GAL. OIL/WATER SEPARATOR

INTERIOR DIMENSIONS 16'x6'x7'-4"



**APPROX. WEIGHTS:**

**TOP: 23,500 LB**

**BASE: 21,600 LB**

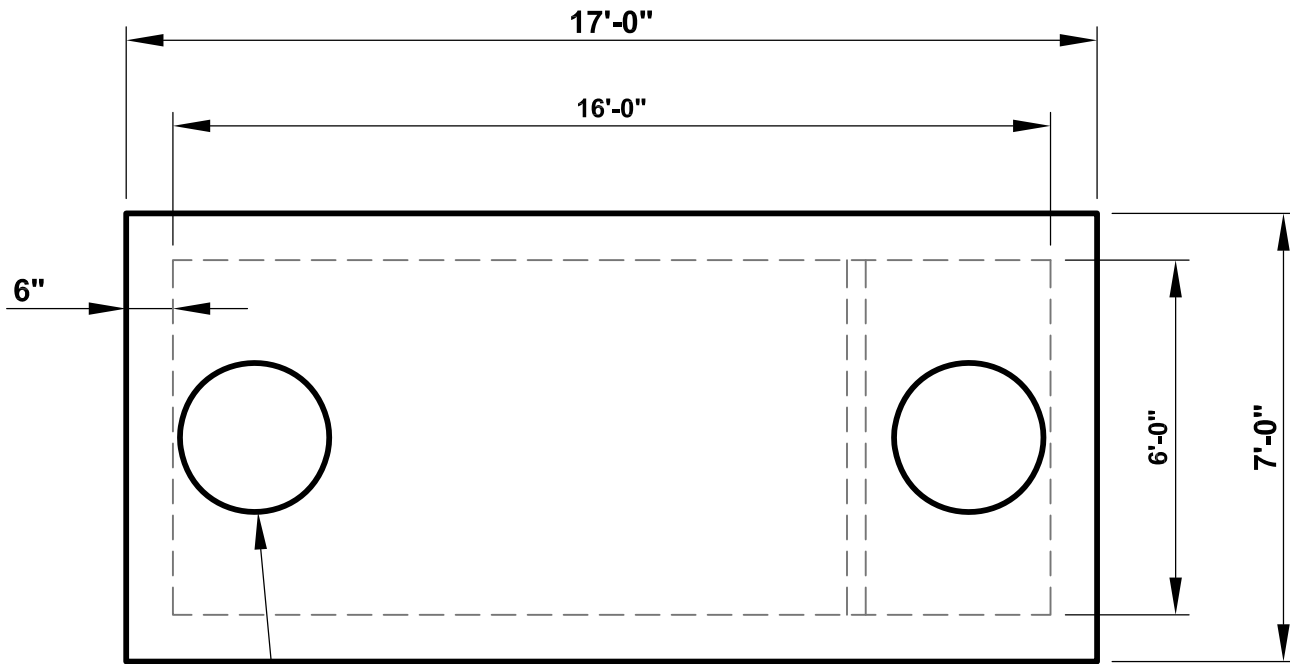
150 HIGGINSON AVENUE - LINCOLN, RI 02865 - Phone (401) 723-7100 - Fax (401) 723-6866

**NPCA**  
CERTIFIED PLANT

# DURASTONE

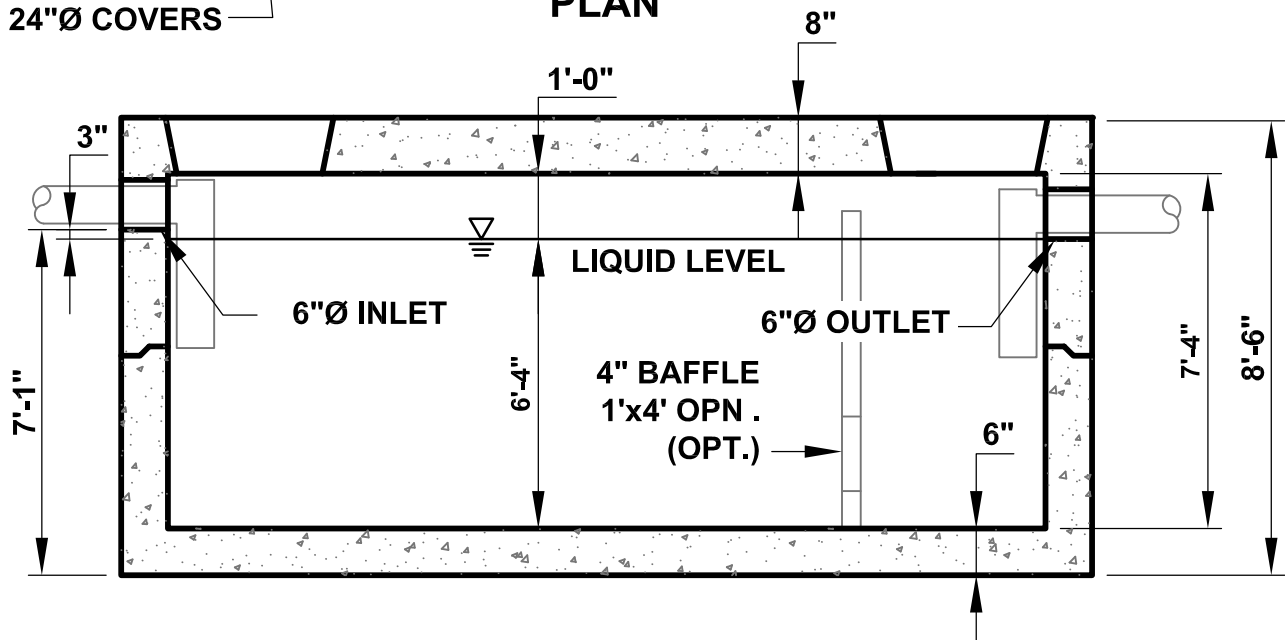
150 HIGGINSON AVENUE - LINCOLN, RI 02865 - Phone (401) 723-7100 - Fax (401) 723-6866

## 4,500 GAL. OIL/WATER SEPARATOR



24"Ø COVERS

PLAN



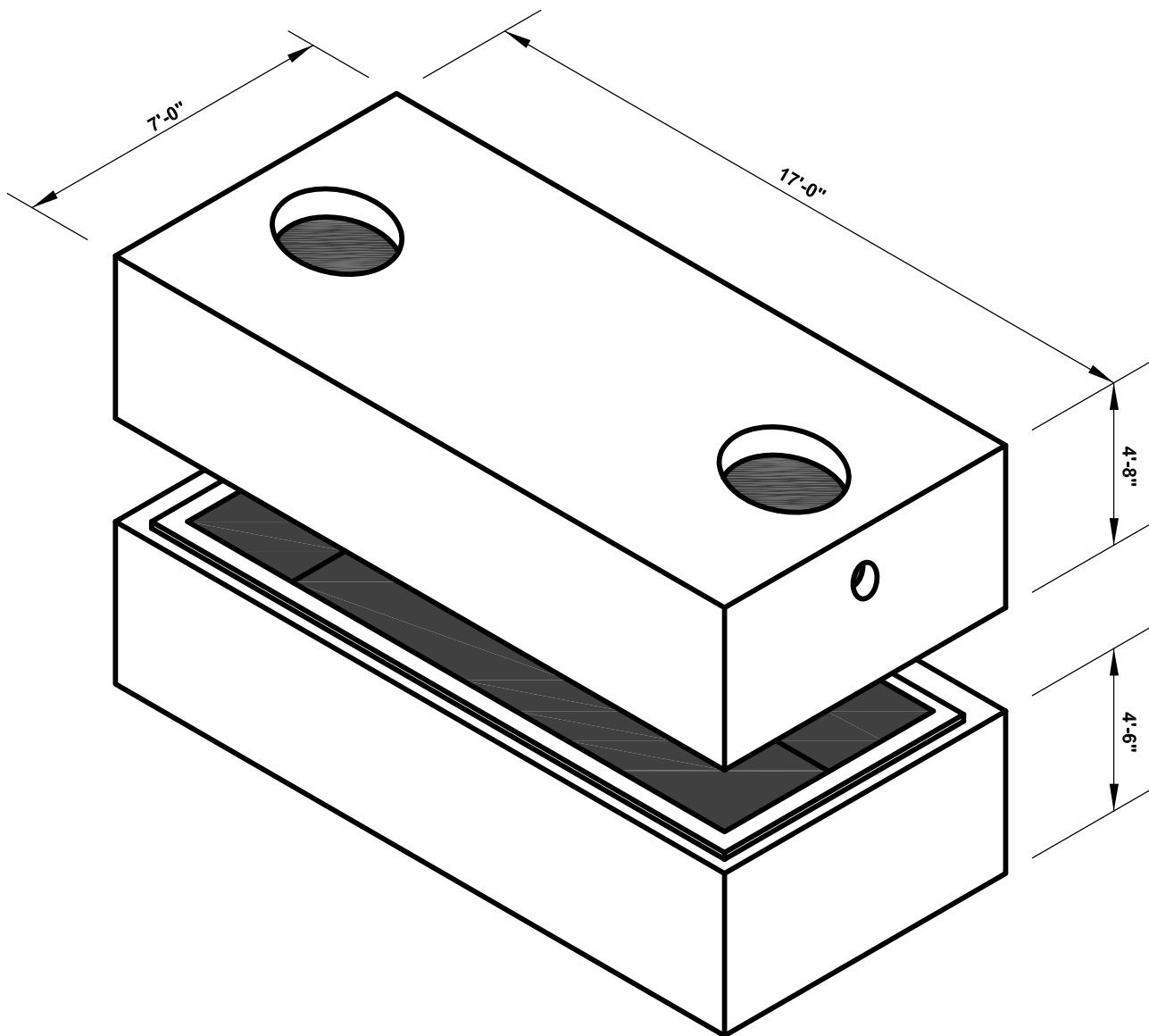
SECTION

### STANDARD SPECIFICATIONS

1. MINIMUM CONCRETE COMPRESSIVE STRENGTH:  $F'_c = 5,000$  PSI
2. REINFORCEMENT: ASTM A615 GRADE 60, MINIMUM 1" COVER
3. DESIGN & DETAILING CODE: ACI318 (UNLESS OTHERWISE SPECIFIED)
4. AASHTO HS20 LIVE LOAD
5. JOINT SEALANT: 1" BUTYL RUBBER
6. APPURTENANCES: FURNISHED & INSTALLED BY OTHERS

# DURASTONE

## 5,000 GAL. OIL/WATER SEPARATOR INTERIOR DIMENSIONS 16'X6'X8'-0"



**APPROX. WEIGHTS:**  
**TOP: 24,600 LB**  
**BASE: 22,700 LB**

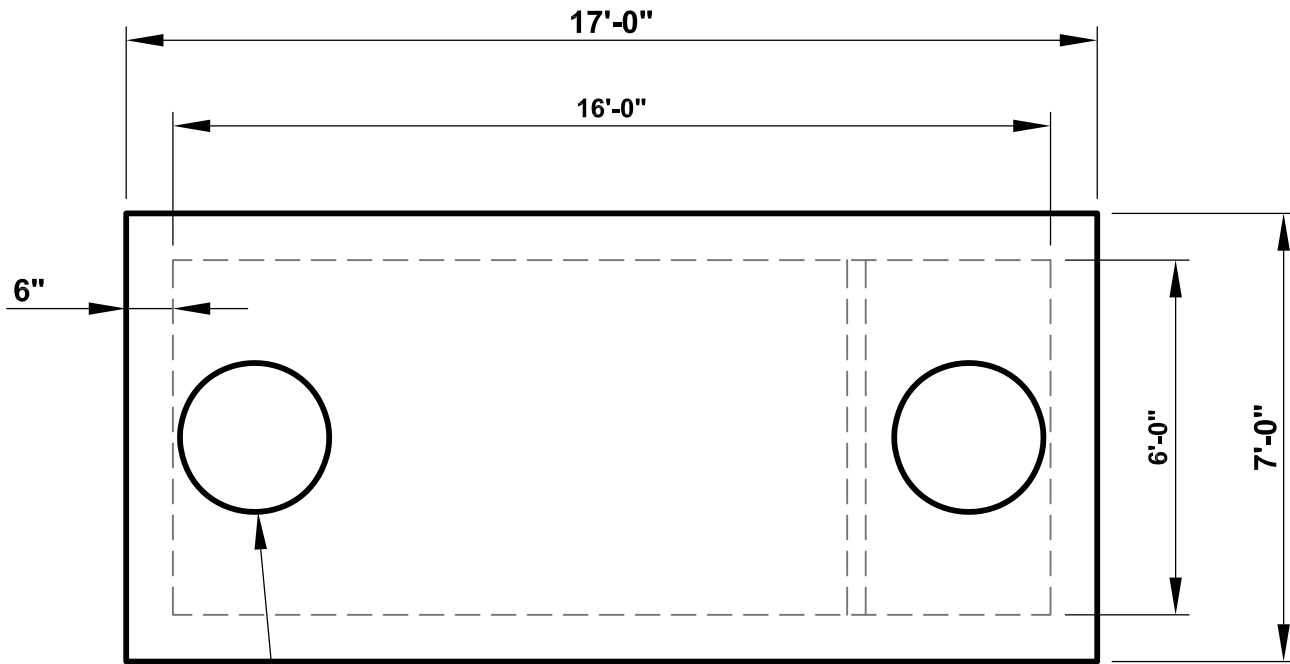
150 HIGGINSON AVENUE - LINCOLN, RI 02865 - Phone (401) 723-7100 - Fax (401) 723-6866

**NPCA**  
CERTIFIED PLANT

# DURASTONE

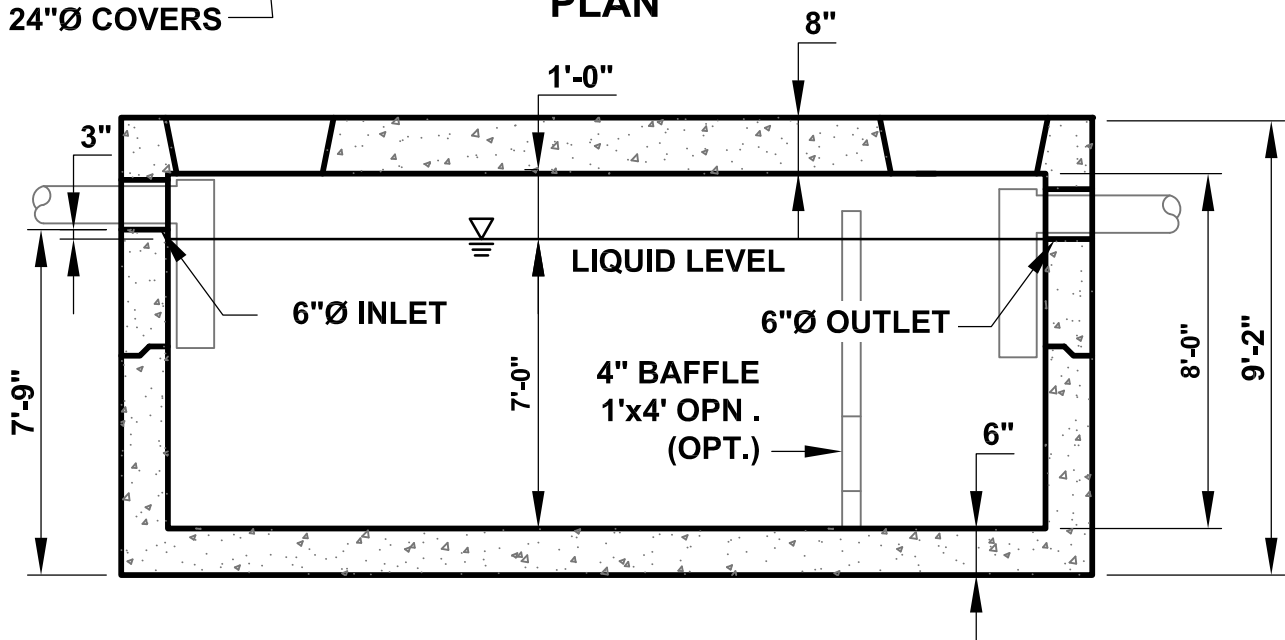
150 HIGGINSON AVENUE - LINCOLN, RI 02865 - Phone (401) 723-7100 - Fax (401) 723-6866

## 5,000 GAL. OIL/WATER SEPARATOR



24"Ø COVERS

PLAN



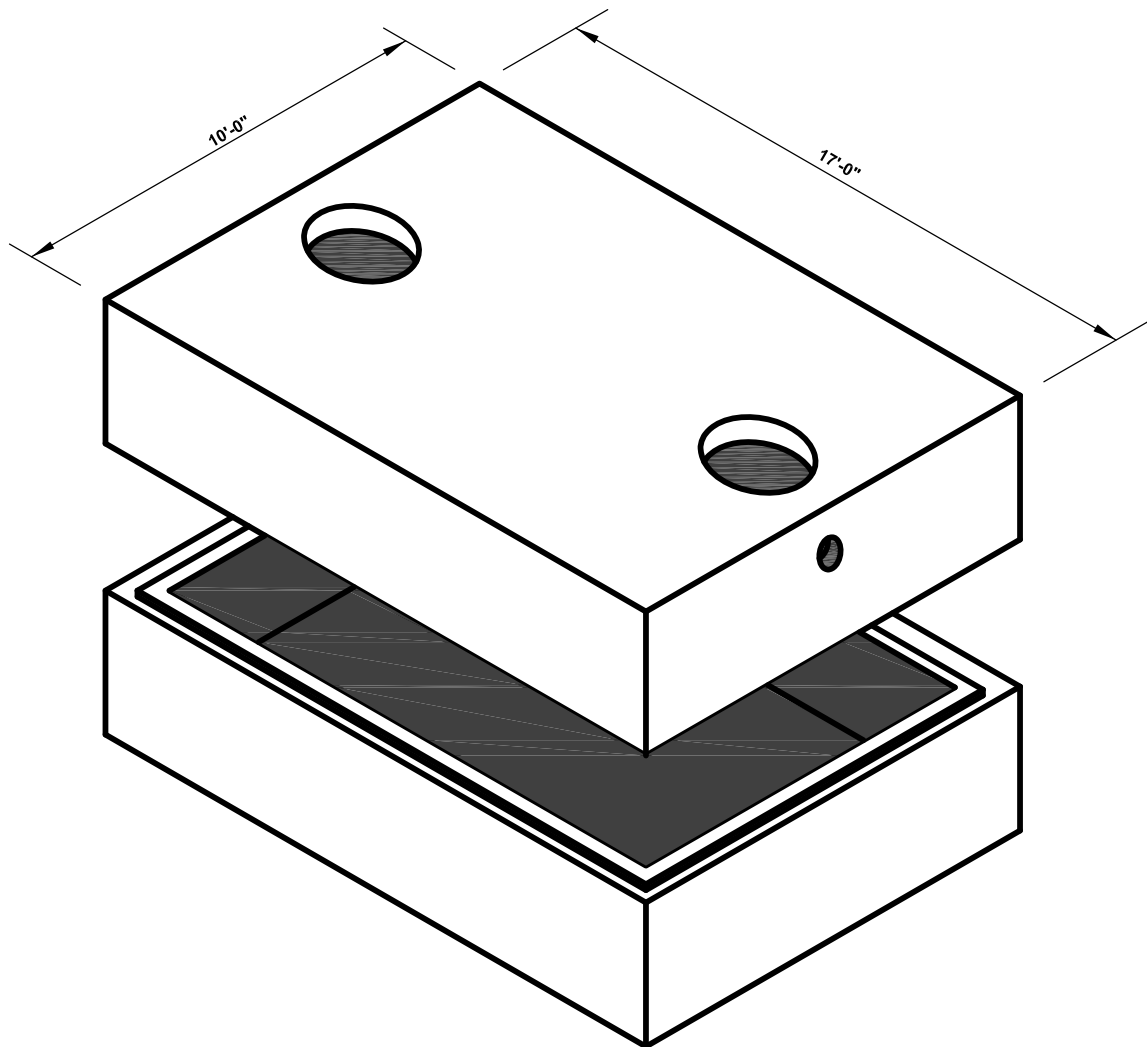
SECTION

### STANDARD SPECIFICATIONS

1. MINIMUM CONCRETE COMPRESSIVE STRENGTH:  $F'_c = 5,000$  PSI
2. REINFORCEMENT: ASTM A615 GRADE 60, MINIMUM 1" COVER
3. DESIGN & DETAILING CODE: ACI318 (UNLESS OTHERWISE SPECIFIED)
4. AASHTO HS20 LIVE LOAD
5. JOINT SEALANT: 1" BUTYL RUBBER
6. APPURTENANCES: FURNISHED & INSTALLED BY OTHERS

# DURASTONE

## **5,000 GAL. OIL/WATER SEPARATOR INTERIOR DIMENSIONS 16'x9'x5'-8"**



**APPROX. WEIGHTS:**  
**TOP: 29,500 LB**  
**BASE: 23,800 LB**

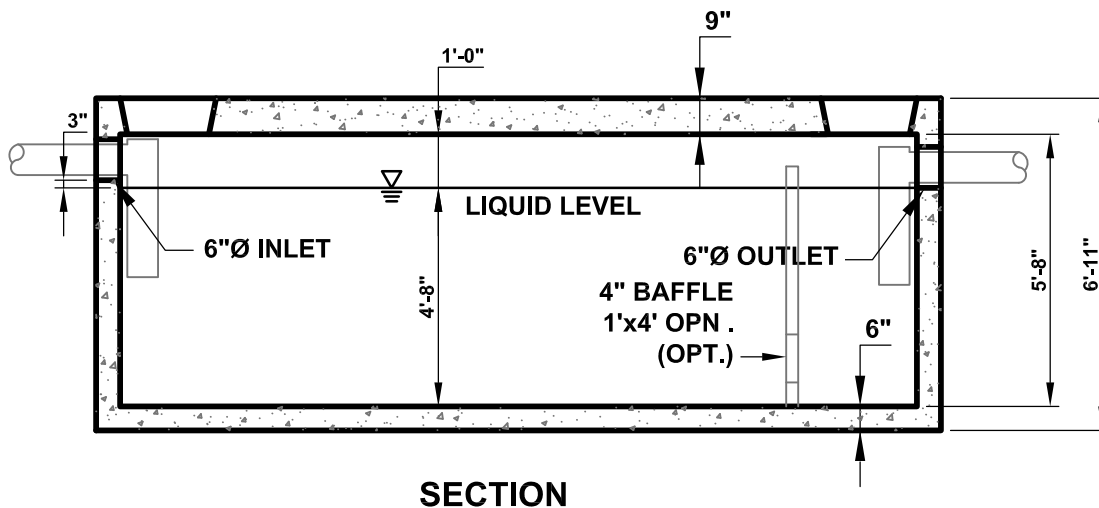
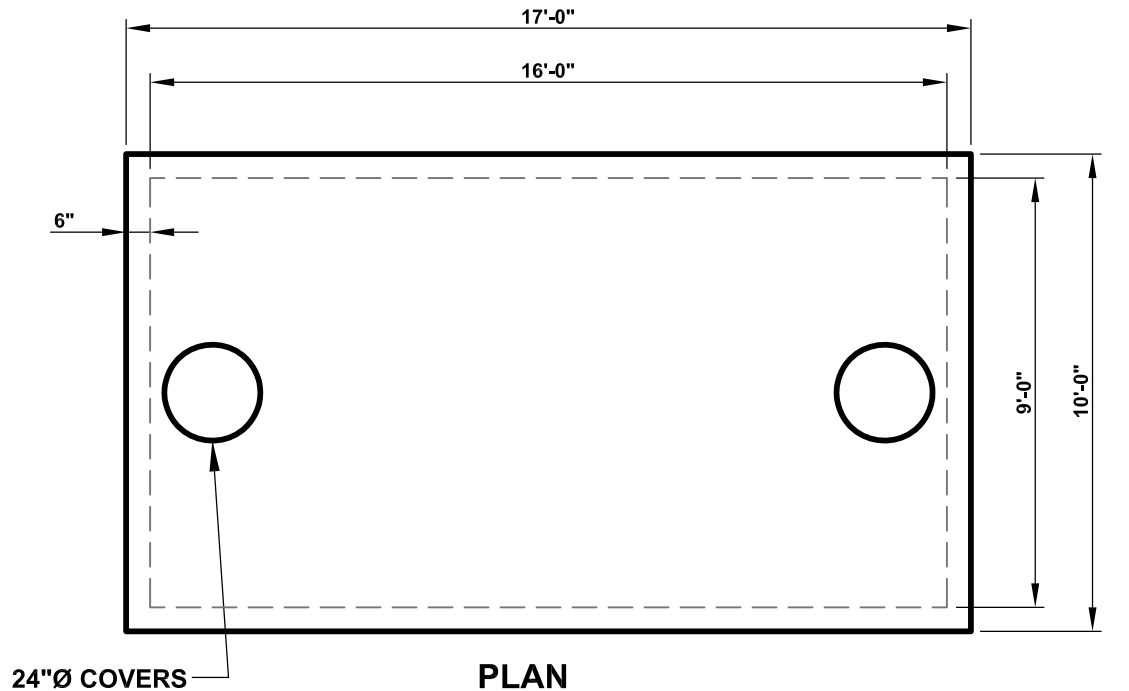
150 HIGGINSON AVENUE - LINCOLN, RI 02865 - Phone (401) 723-7100 - Fax (401) 723-6866

**NPCA**  
CERTIFIED PLANT

# DURASTONE

150 HIGGINSON AVENUE - LINCOLN, RI 02865 - Phone (401) 723-7100 - Fax (401) 723-6866

## 5,000 GAL. OIL/WATER SEPARATOR

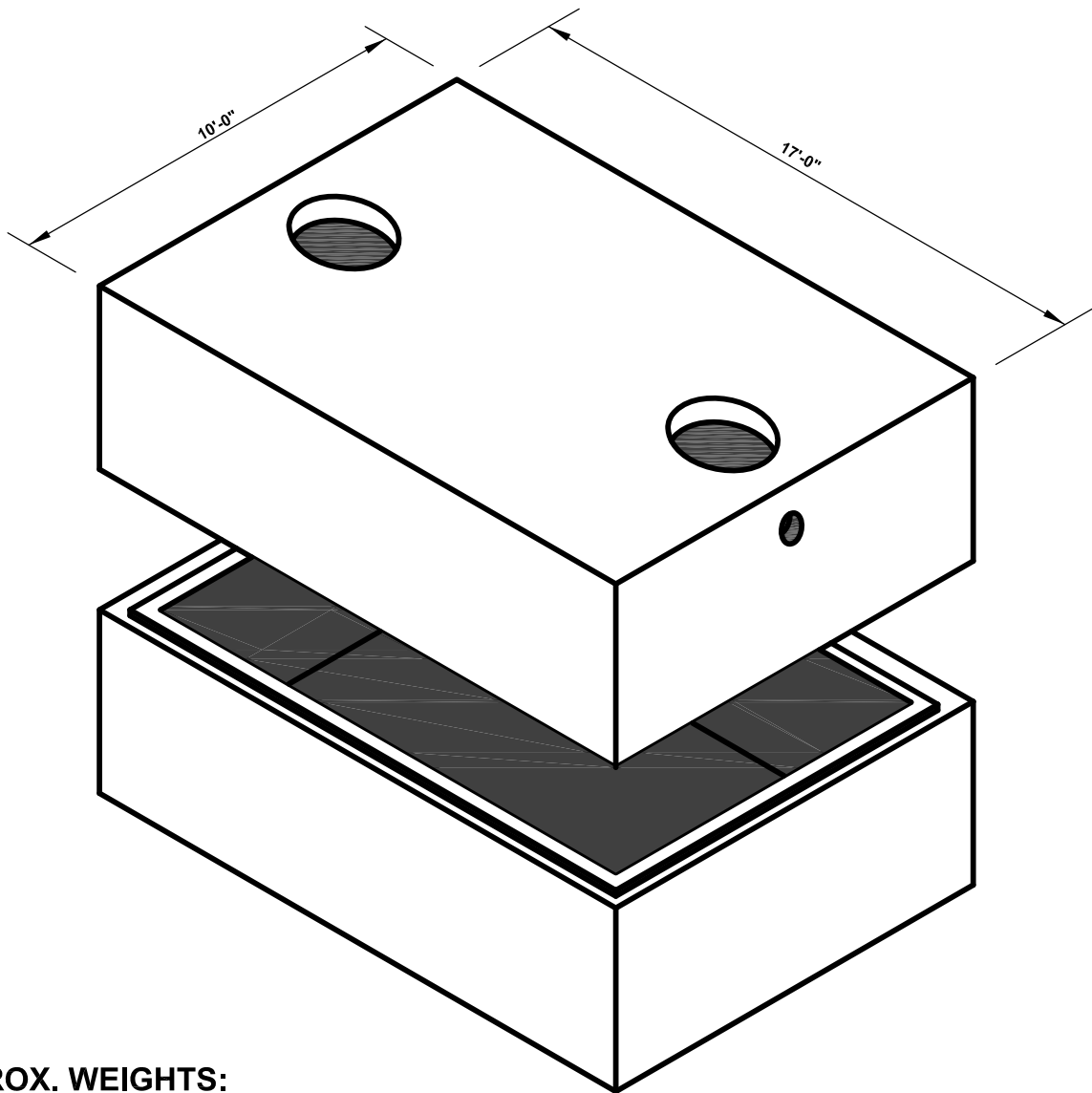


### STANDARD SPECIFICATIONS

1. MINIMUM CONCRETE COMPRESSIVE STRENGTH:  $F'_c = 5,000$  PSI
2. REINFORCEMENT: ASTM A615 GRADE 60, MINIMUM 1" COVER
3. DESIGN & DETAILING CODE: ACI318 (UNLESS OTHERWISE SPECIFIED)
4. AASHTO HS20 LIVE LOAD
5. JOINT SEALANT: 1" BUTYL RUBBER
6. APPURTENANCES: FURNISHED & INSTALLED BY OTHERS

# DURASTONE

## **6,000 GAL. OIL/WATER SEPARATOR INTERIOR DIMENSIONS 16'x9'x6'-7"**



**APPROX. WEIGHTS:**  
**TOP: 31,300 LB**  
**BASE: 25,600 LB**

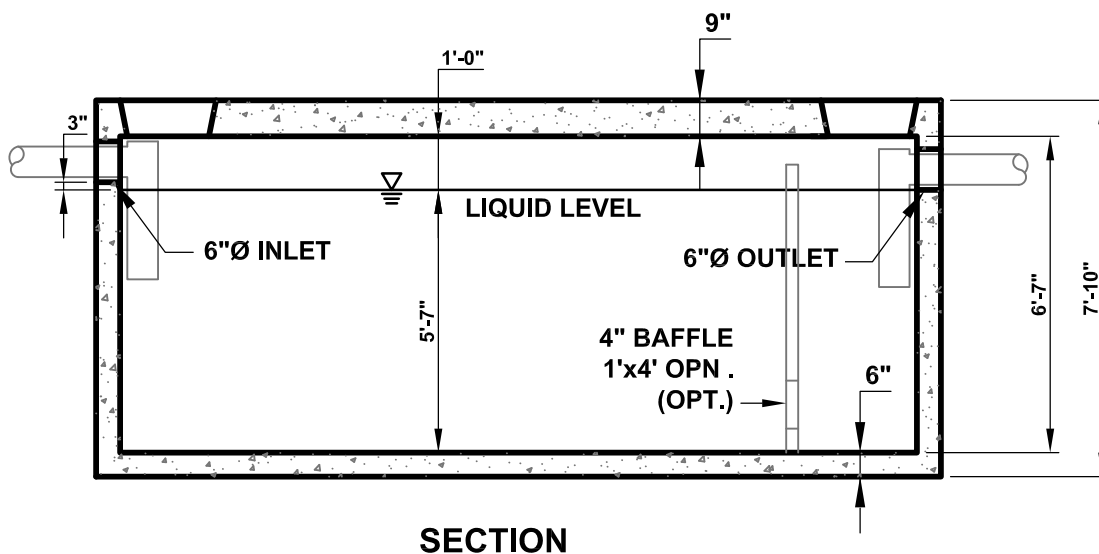
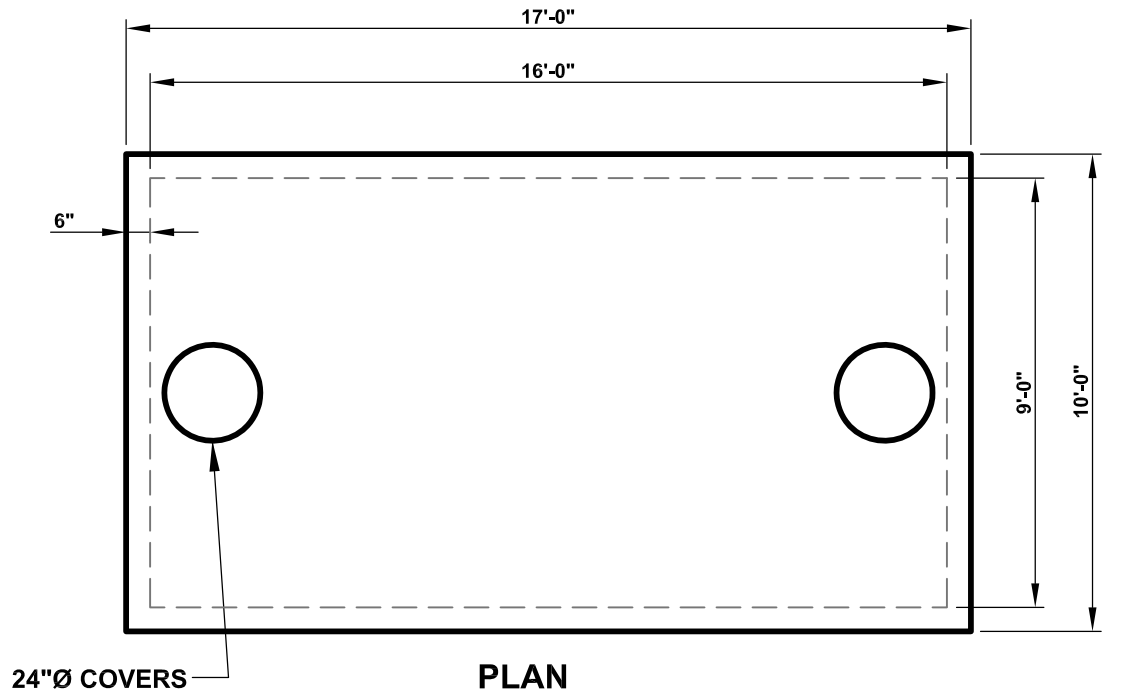
150 HIGGINSON AVENUE - LINCOLN, RI 02865 - Phone (401) 723-7100 - Fax (401) 723-6866

**NPCA**  
CERTIFIED PLANT

# DURASTONE

150 HIGGINSON AVENUE - LINCOLN, RI 02865 - Phone (401) 723-7100 - Fax (401) 723-6866

## 6,000 GAL. OIL/WATER SEPARATOR

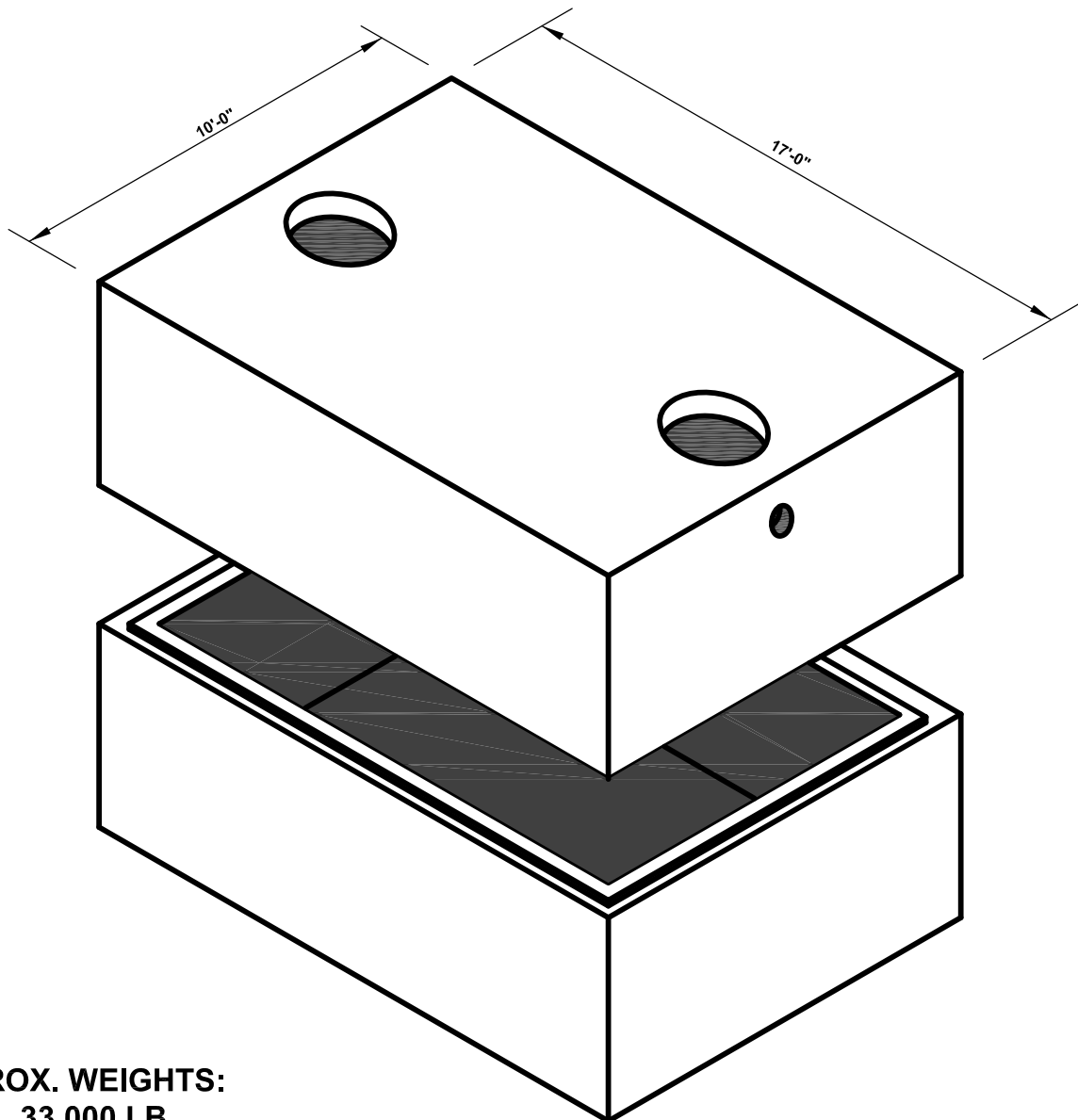


### STANDARD SPECIFICATIONS

1. MINIMUM CONCRETE COMPRESSIVE STRENGTH:  $F'_c = 5,000$  PSI
2. REINFORCEMENT: ASTM A615 GRADE 60, MINIMUM 1" COVER
3. DESIGN & DETAILING CODE: ACI318 (UNLESS OTHERWISE SPECIFIED)
4. AASHTO HS20 LIVE LOAD
5. JOINT SEALANT: 1" BUTYL RUBBER
6. APPURTENANCES: FURNISHED & INSTALLED BY OTHERS

# DURASTONE

## **7,000 GAL. OIL/WATER SEPARATOR INTERIOR DIMENSIONS 16'x9'x7'-6"**



**APPROX. WEIGHTS:  
TOP: 33,000 LB  
BASE: 27,400 LB**

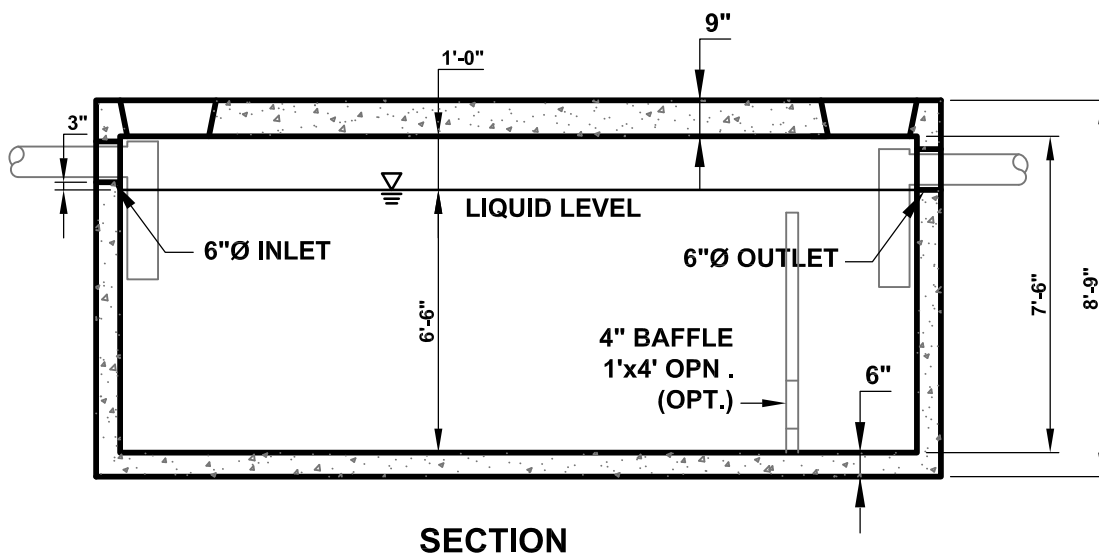
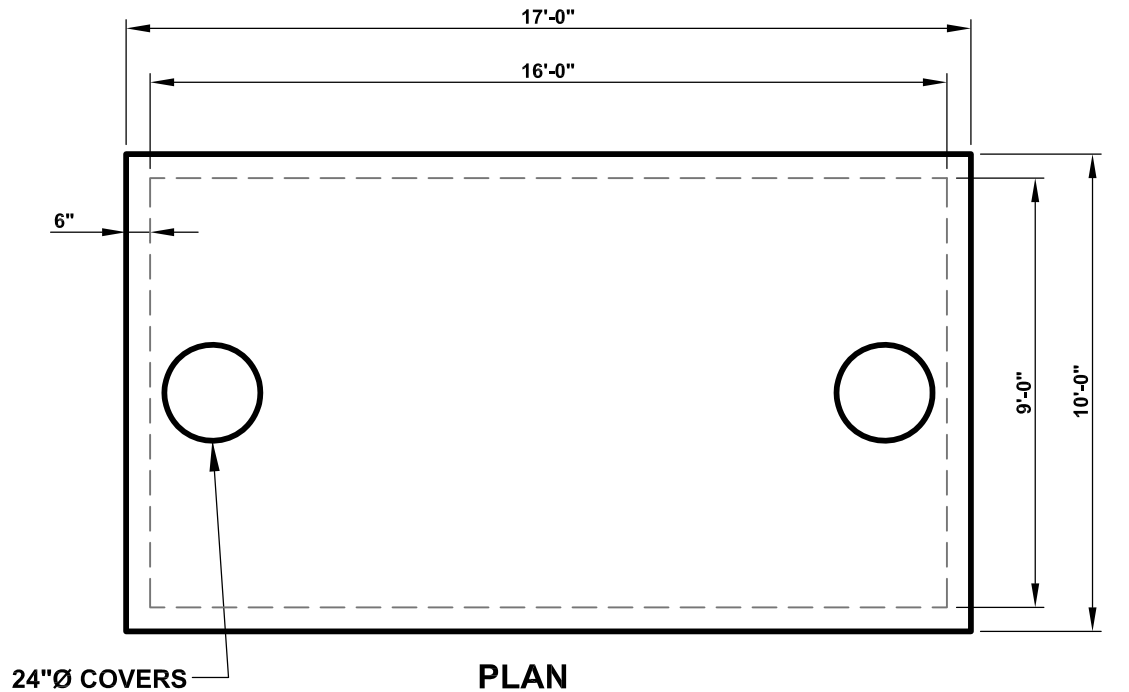
150 HIGGINSON AVENUE - LINCOLN, RI 02865 - Phone (401) 723-7100 - Fax (401) 723-6866

**NPCA**  
CERTIFIED PLANT

# DURASTONE

150 HIGGINSON AVENUE - LINCOLN, RI 02865 - Phone (401) 723-7100 - Fax (401) 723-6866

## 7,000 GAL. OIL/WATER SEPARATOR

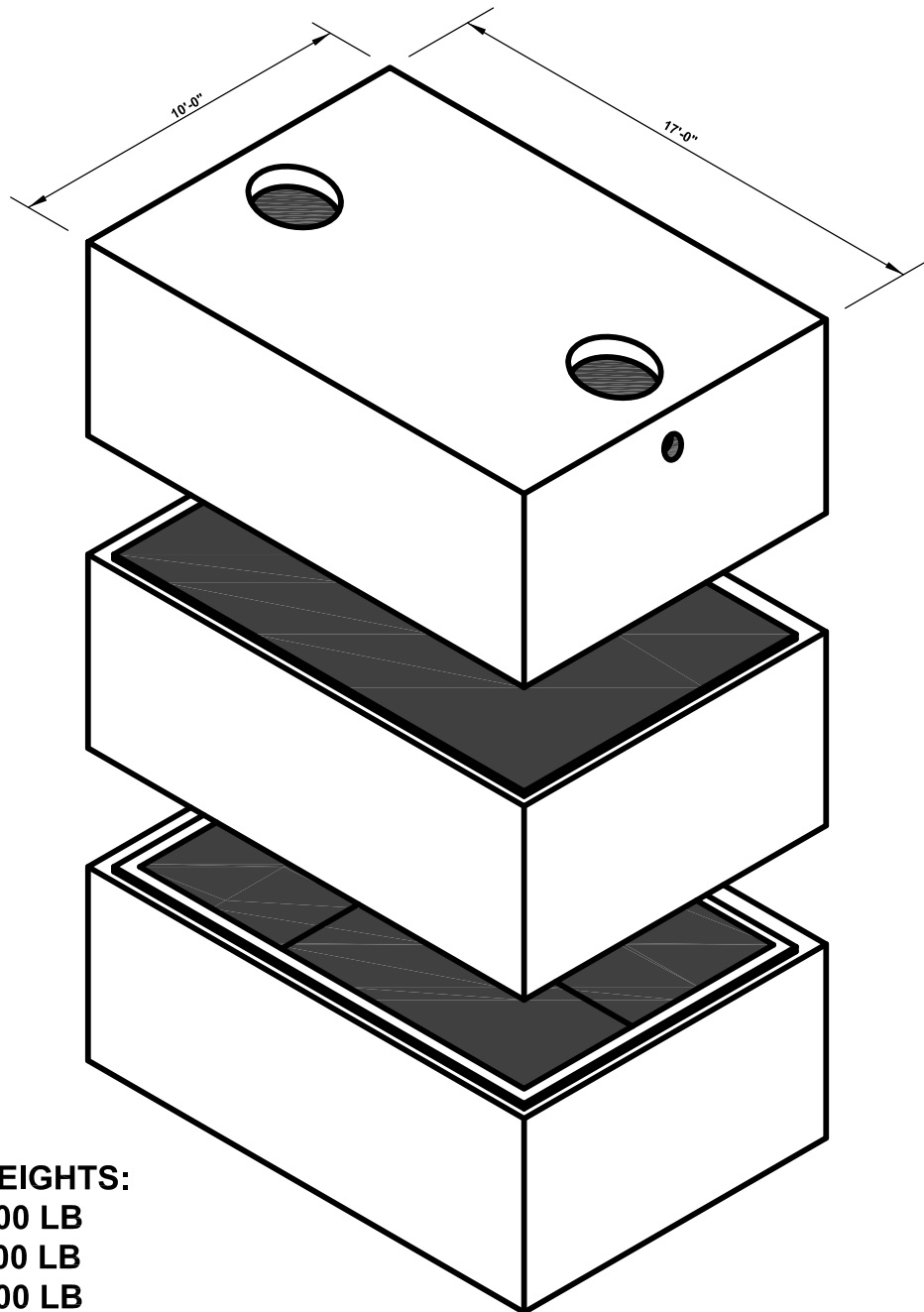


### STANDARD SPECIFICATIONS

1. MINIMUM CONCRETE COMPRESSIVE STRENGTH:  $F'_c = 5,000$  PSI
2. REINFORCEMENT: ASTM A615 GRADE 60, MINIMUM 1" COVER
3. DESIGN & DETAILING CODE: ACI318 (UNLESS OTHERWISE SPECIFIED)
4. AASHTO HS20 LIVE LOAD
5. JOINT SEALANT: 1" BUTYL RUBBER
6. APPURTENANCES: FURNISHED & INSTALLED BY OTHERS

# DURASTONE

## **8,000 GAL. OIL/WATER SEPARATOR** **INTERIOR DIMENSIONS 16'x9'x8'-5"**



**APPROX. WEIGHTS:**

**TOP: 29,400 LB**

**RISER: 10,900 LB**

**BASE: 23,700 LB**

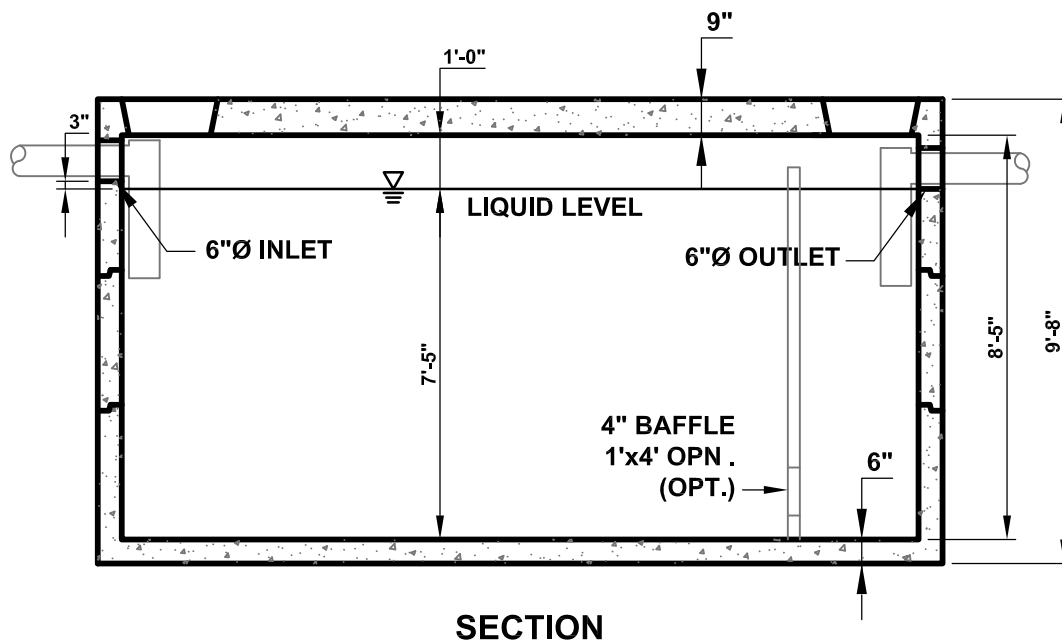
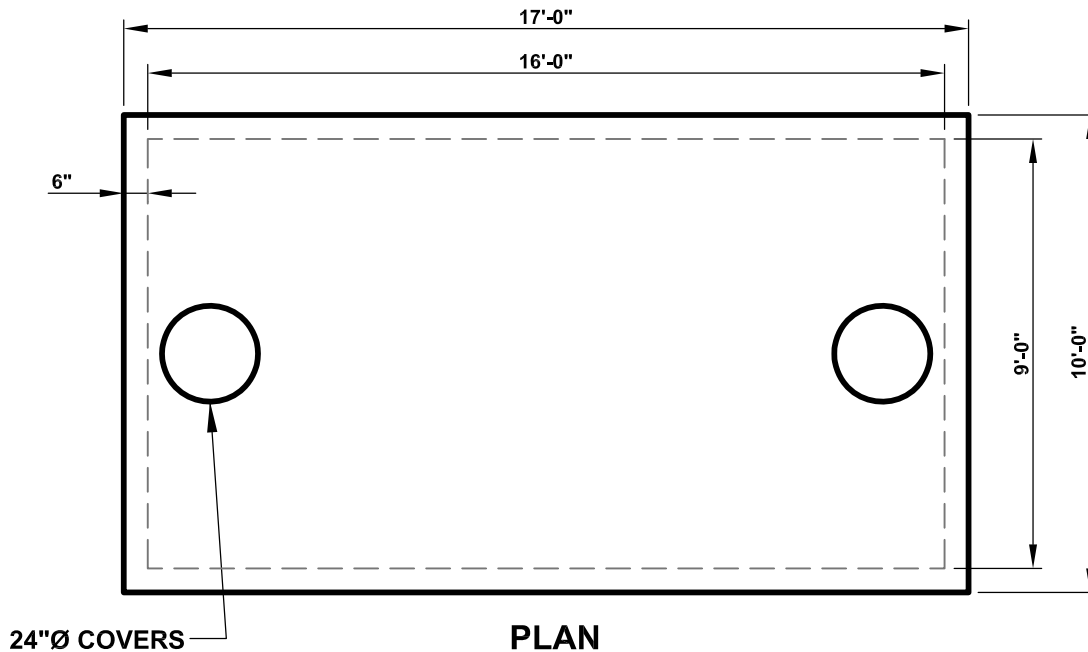
150 HIGGINSON AVENUE - LINCOLN, RI 02865 - Phone (401) 723-7100 - Fax (401) 723-6866

**NPCA**  
CERTIFIED PLANT

# DURASTONE

150 HIGGINSON AVENUE - LINCOLN, RI 02865 - Phone (401) 723-7100 - Fax (401) 723-6866

## 8,000 GAL. OIL/WATER SEPARATOR

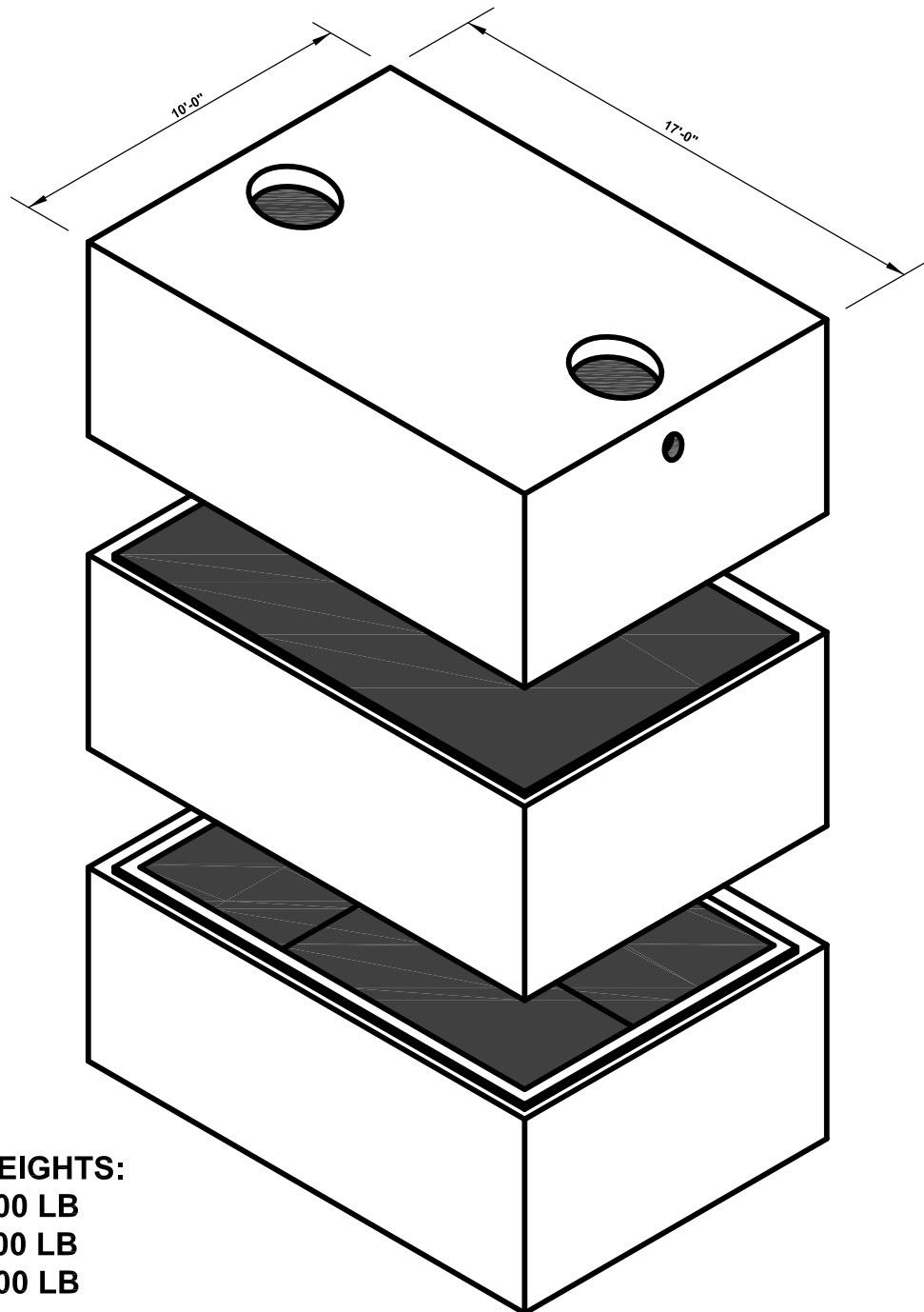


### STANDARD SPECIFICATIONS

1. MINIMUM CONCRETE COMPRESSIVE STRENGTH:  $F'_c = 5,000$  PSI
2. REINFORCEMENT: ASTM A615 GRADE 60, MINIMUM 1" COVER
3. DESIGN & DETAILING CODE: ACI318 (UNLESS OTHERWISE SPECIFIED)
4. AASHTO HL93 LIVE LOAD
5. JOINT SEALANT: 1" BUTYL RUBBER
6. APPURTENANCES: FURNISHED & INSTALLED BY OTHERS

# DURASTONE

## 9,000 GAL. OIL/WATER SEPARATOR INTERIOR DIMENSIONS 16'x9'x9'-4"



**APPROX. WEIGHTS:**  
**TOP: 30,600 LB**  
**RISER: 12,100 LB**  
**BASE: 24,900 LB**

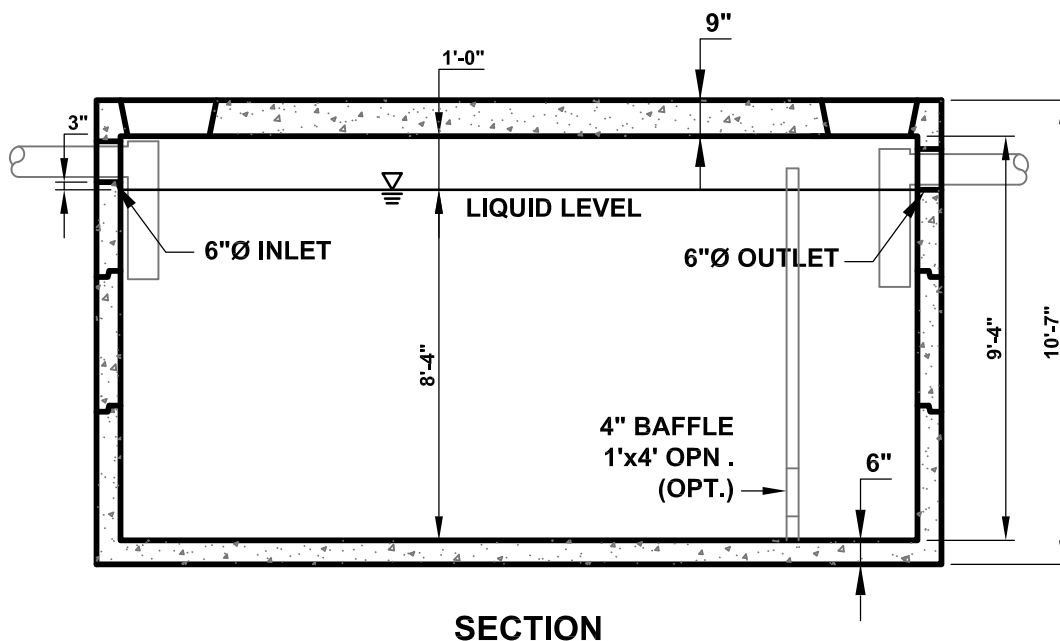
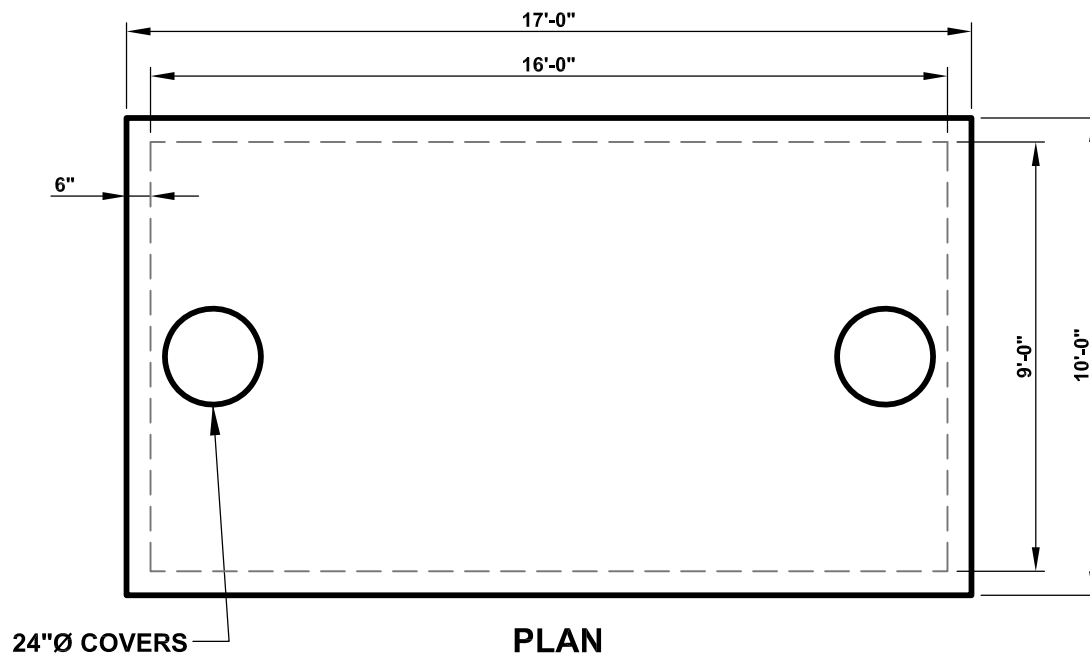
150 HIGGINSON AVENUE - LINCOLN, RI 02865 - Phone (401) 723-7100 - Fax (401) 723-6866

**NPCA**  
CERTIFIED PLANT

# DURASTONE

150 HIGGINSON AVENUE - LINCOLN, RI 02865 - Phone (401) 723-7100 - Fax (401) 723-6866

## 9,000 GAL. OIL/WATER SEPARATOR

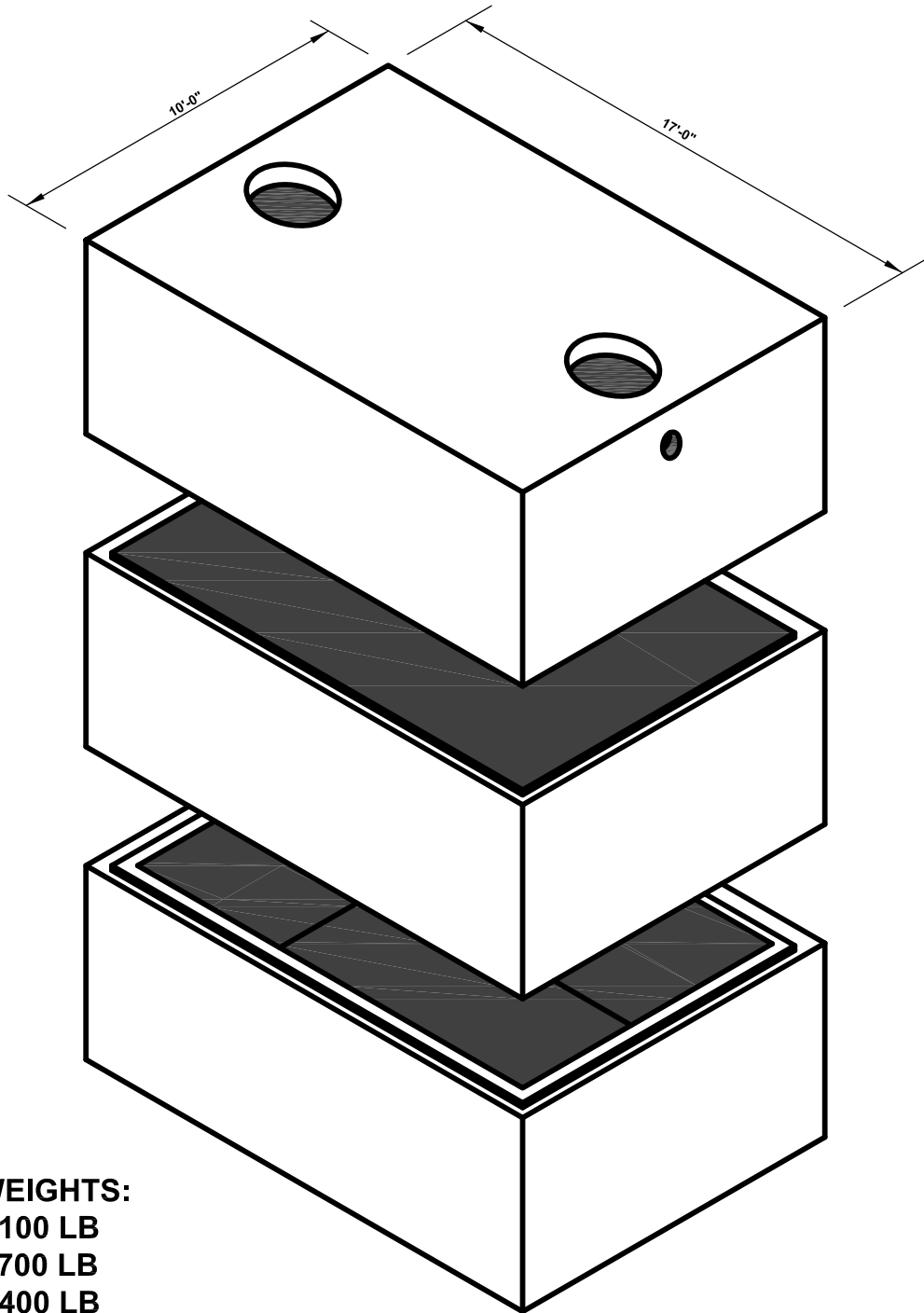


### STANDARD SPECIFICATIONS

1. MINIMUM CONCRETE COMPRESSIVE STRENGTH:  $F'_c = 5,000$  PSI
2. REINFORCEMENT: ASTM A615 GRADE 60, MINIMUM 1" COVER
3. DESIGN & DETAILING CODE: ACI318 (UNLESS OTHERWISE SPECIFIED)
4. AASHTO HL93 LIVE LOAD
5. JOINT SEALANT: 1" BUTYL RUBBER
6. APPURTENANCES: FURNISHED & INSTALLED BY OTHERS

# DURASTONE

## 10,000 GAL. OIL/WATER SEPARATOR INTERIOR DIMENSIONS 16'x9'x10'-6"



**APPROX. WEIGHTS:**  
TOP: 32,100 LB  
RISER: 13,700 LB  
BASE: 26,400 LB

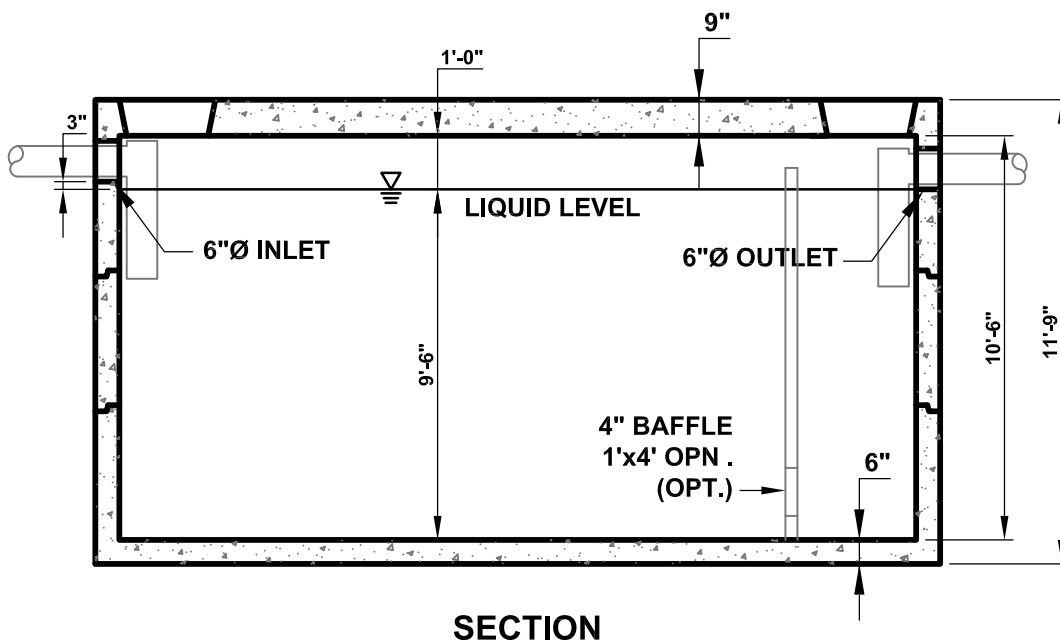
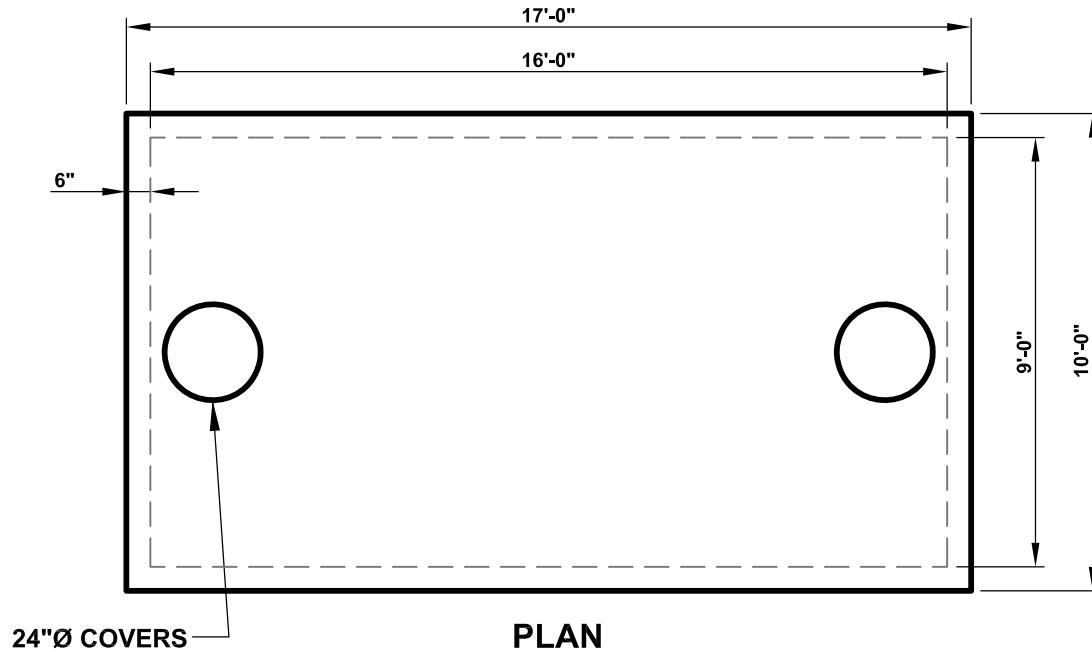
150 HIGGINSON AVENUE - LINCOLN, RI 02865 - Phone (401) 723-7100 - Fax (401) 723-6866

**NPCA**  
CERTIFIED PLANT

# DURASTONE

150 HIGGINSON AVENUE - LINCOLN, RI 02865 - Phone (401) 723-7100 - Fax (401) 723-6866

## 10,000 GAL. OIL/WATER SEPARATOR



### STANDARD SPECIFICATIONS

1. MINIMUM CONCRETE COMPRESSIVE STRENGTH:  $F'_c = 5,000$  PSI
2. REINFORCEMENT: ASTM A615 GRADE 60, MINIMUM 1" COVER
3. DESIGN & DETAILING CODE: ACI318 (UNLESS OTHERWISE SPECIFIED)
4. AASHTO HL93 LIVE LOAD
5. JOINT SEALANT: 1" BUTYL RUBBER
6. APPURTENANCES: FURNISHED & INSTALLED BY OTHERS