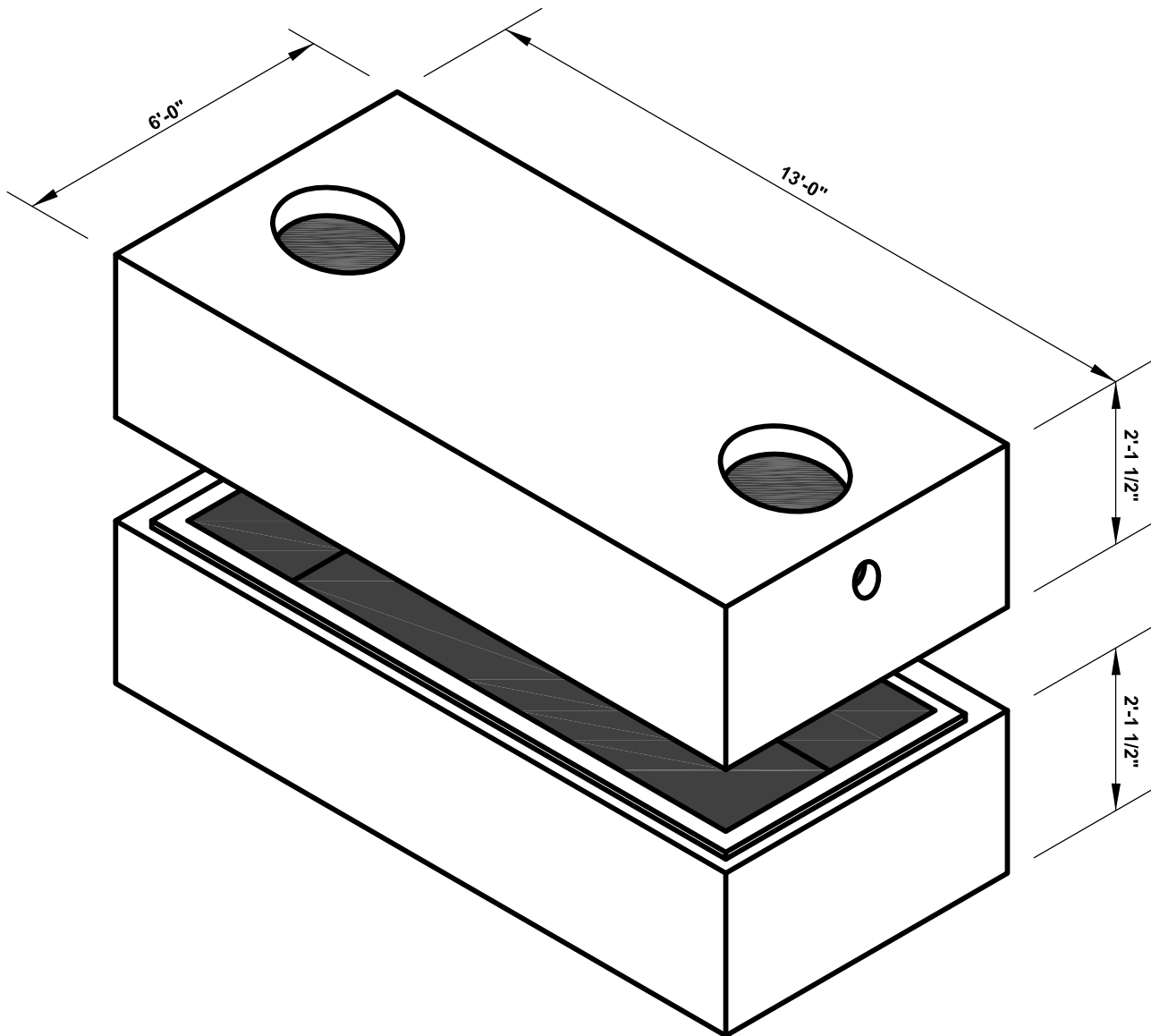


DURASTONE

1,000 GALLON GREASE TRAP **INTERIOR DIMENSIONS 12'x5'x3'-3"**



APPROX. WEIGHTS:
TOP: 9,800 LB
BASE: 10,300 LB

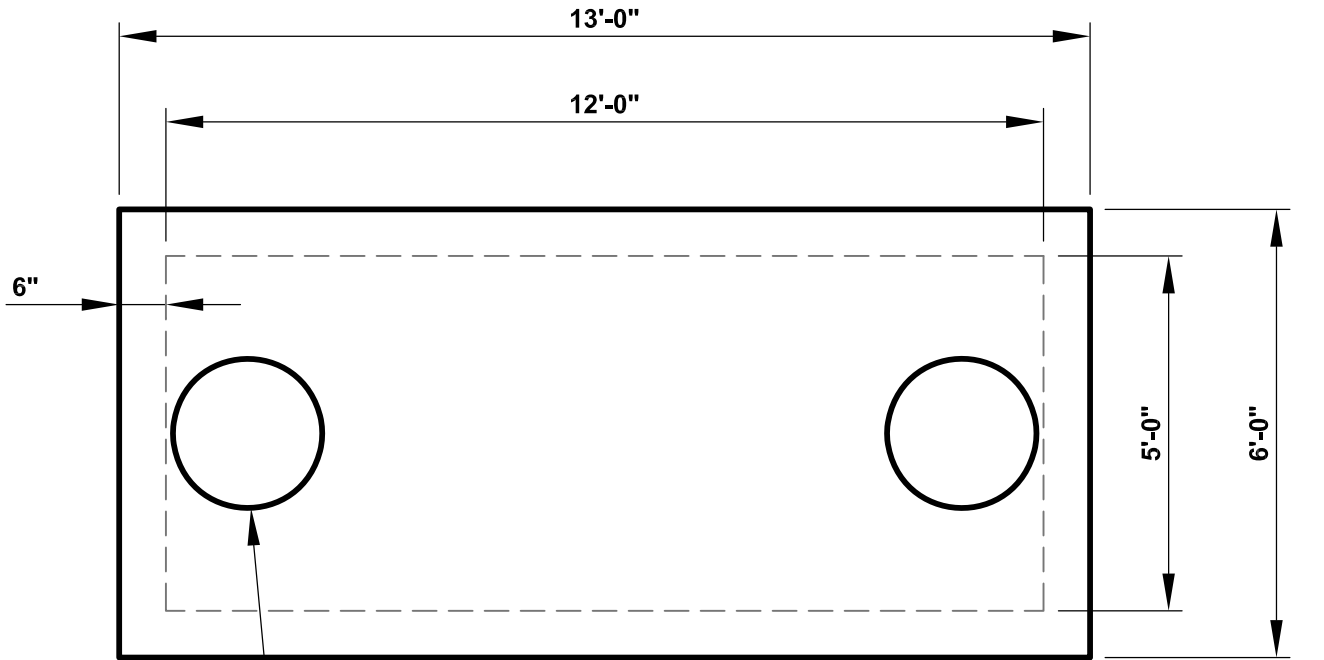
150 HIGGINSON AVENUE - LINCOLN, RI 02865 - Phone (401) 723-7100 - Fax (401) 723-6866

NPCA
CERTIFIED PLANT

DURASTONE

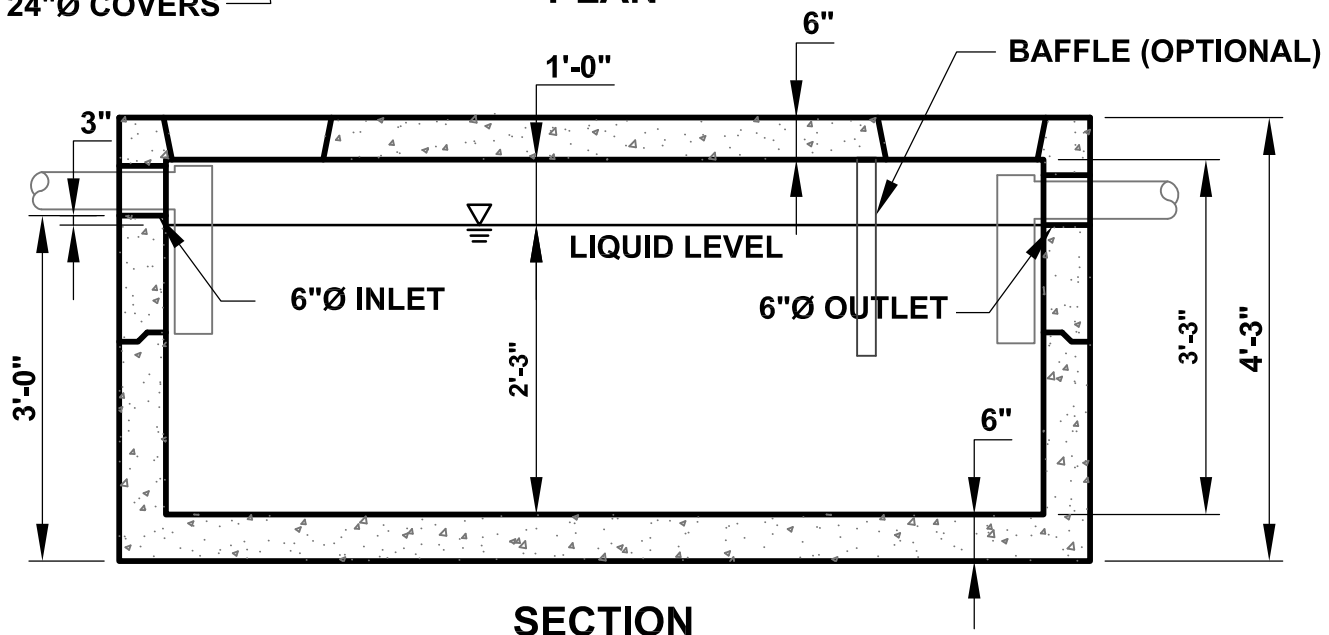
150 HIGGINSON AVENUE - LINCOLN, RI 02865 - Phone (401) 723-7100 - Fax (401) 723-6866

1,000 GALLON GREASE TRAP



24"Ø COVERS

PLAN



SECTION

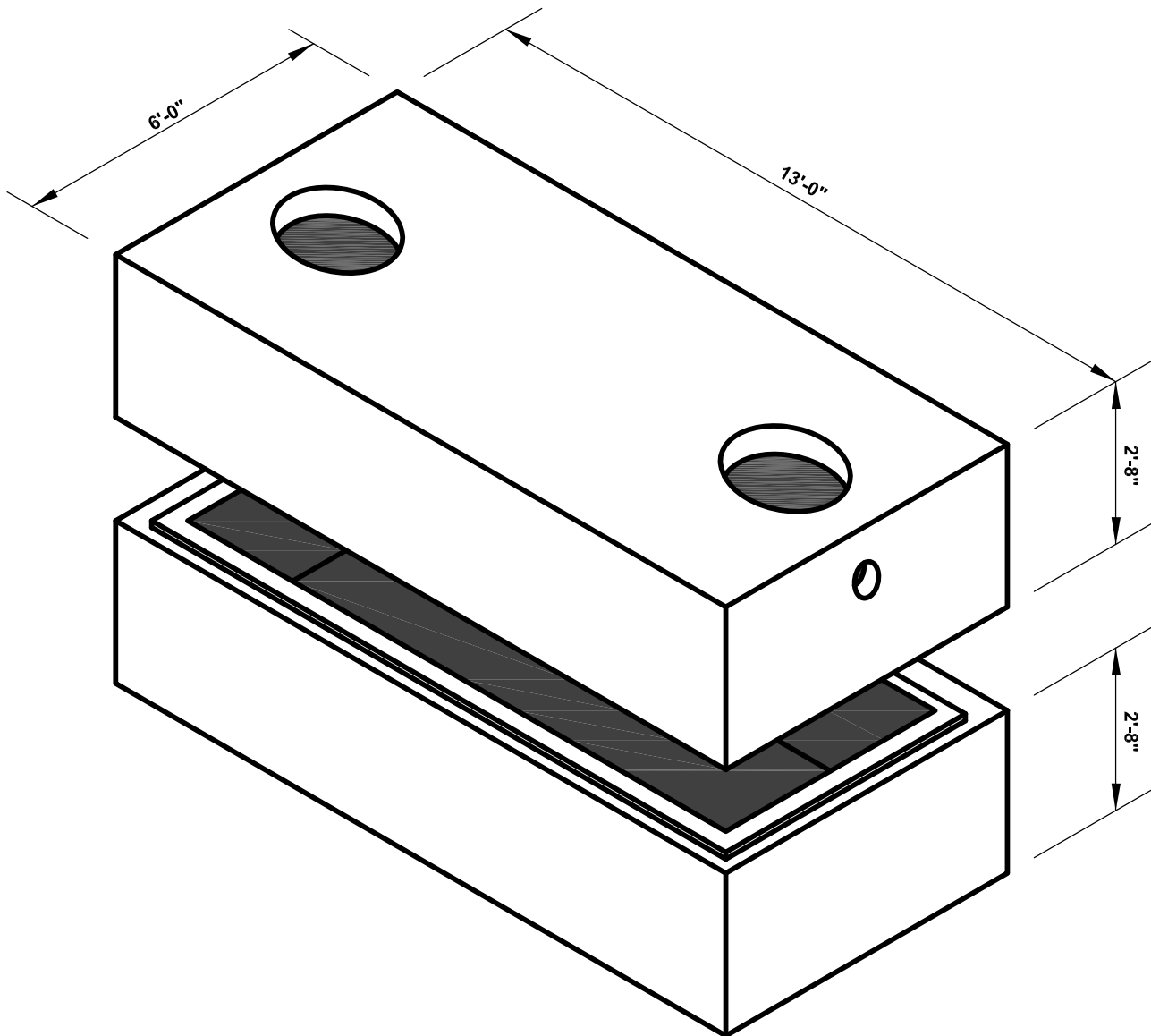
STANDARD SPECIFICATIONS

1. MINIMUM CONCRETE COMPRESSIVE STRENGTH: $F'_c = 5,000$ PSI
2. REINFORCEMENT: ASTM A615 GRADE 60, MINIMUM 1" COVER
3. DESIGN & DETAILING CODE: ACI318 (UNLESS OTHERWISE SPECIFIED)
4. AASHTO HS20 LIVE LOAD
5. JOINT SEALANT: 1" BUTYL RUBBER
6. APPURTENANCES: FURNISHED & INSTALLED BY OTHERS

DURASTONE

1,500 GALLON GREASE TRAP

INTERIOR DIMENSIONS 12'x5'x4'-4"



APPROX. WEIGHTS:

TOP: 11,200 LB

BASE: 11,700 LB

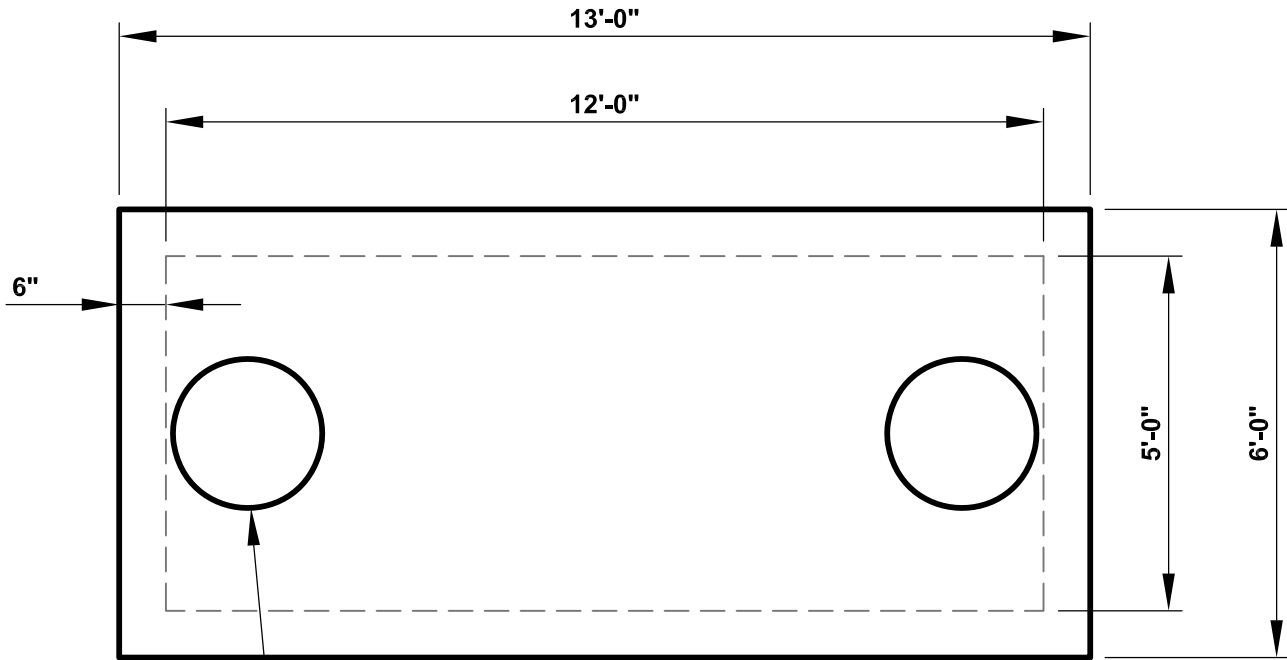
150 HIGGINSON AVENUE - LINCOLN, RI 02865 - Phone (401) 723-7100 - Fax (401) 723-6866

NPCA
CERTIFIED PLANT

DURASTONE

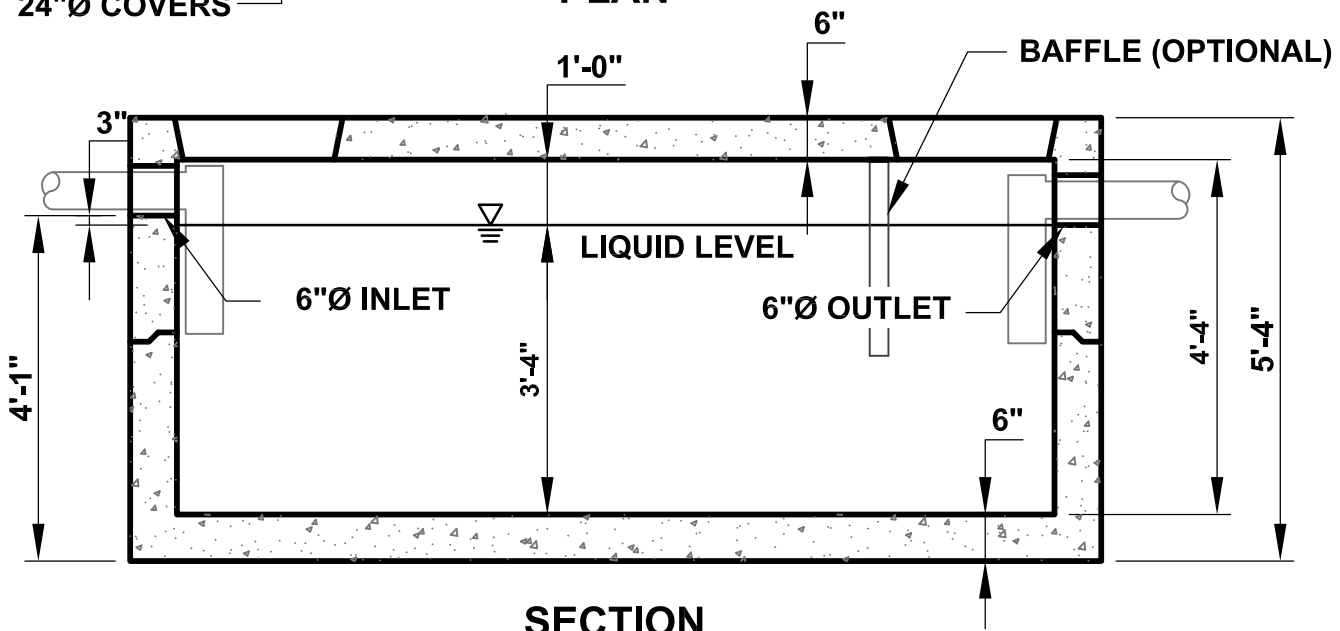
150 HIGGINSON AVENUE - LINCOLN, RI 02865 - Phone (401) 723-7100 - Fax (401) 723-6866

1,500 GALLON GREASE TRAP



24"Ø COVERS

PLAN



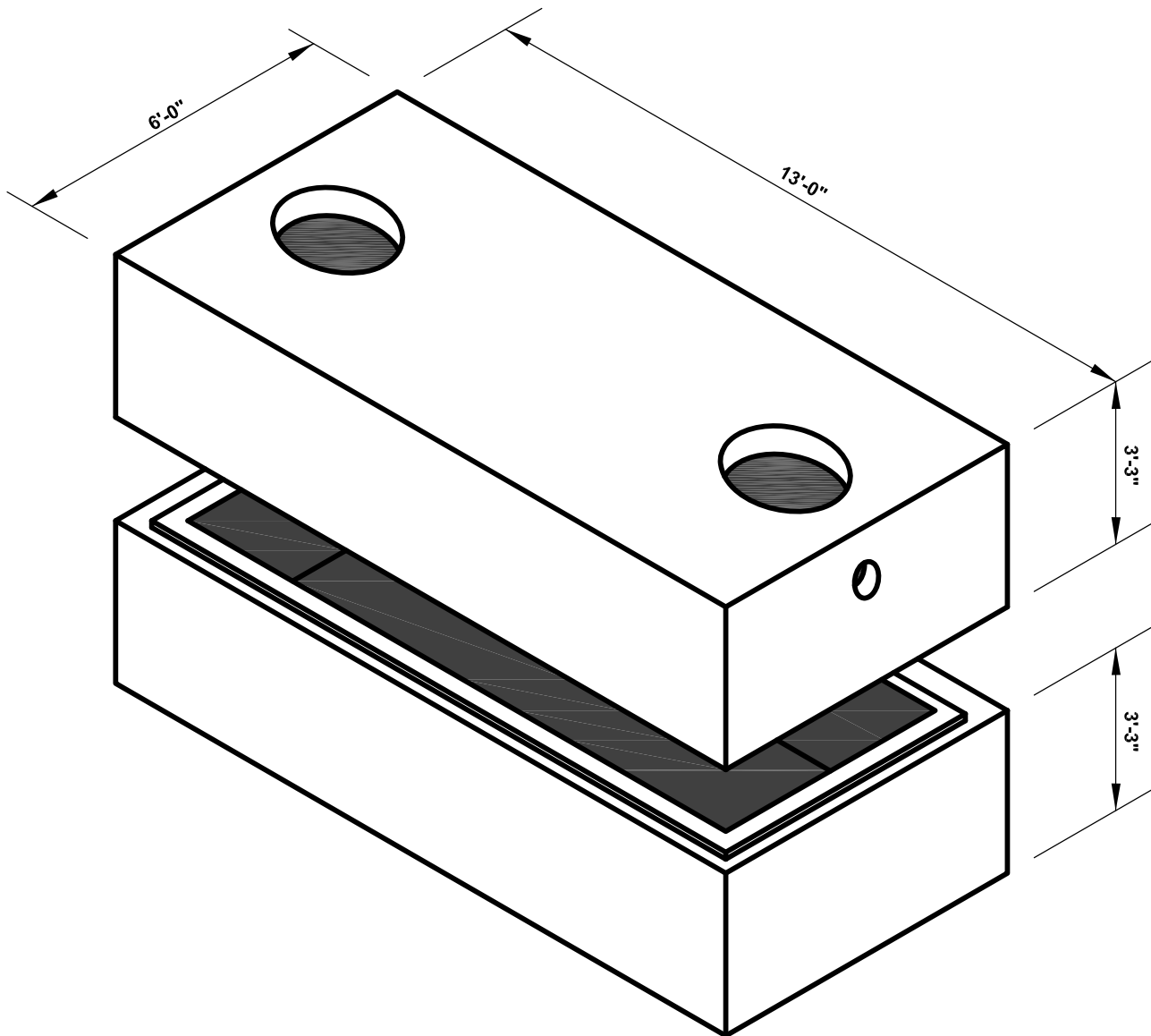
SECTION

STANDARD SPECIFICATIONS

1. MINIMUM CONCRETE COMPRESSIVE STRENGTH: $F'_c = 5,000$ PSI
2. REINFORCEMENT: ASTM A615 GRADE 60, MINIMUM 1" COVER
3. DESIGN & DETAILING CODE: ACI318 (UNLESS OTHERWISE SPECIFIED)
4. AASHTO HS20 LIVE LOAD
5. JOINT SEALANT: 1" BUTYL RUBBER
6. APPURTENANCES: FURNISHED & INSTALLED BY OTHERS

DURASTONE

2,000 GALLON GREASE TRAP **INTERIOR DIMENSIONS 12'x5'x5'-6"**



APPROX. WEIGHTS:
TOP: 12,800 LB
BASE: 13,300 LB

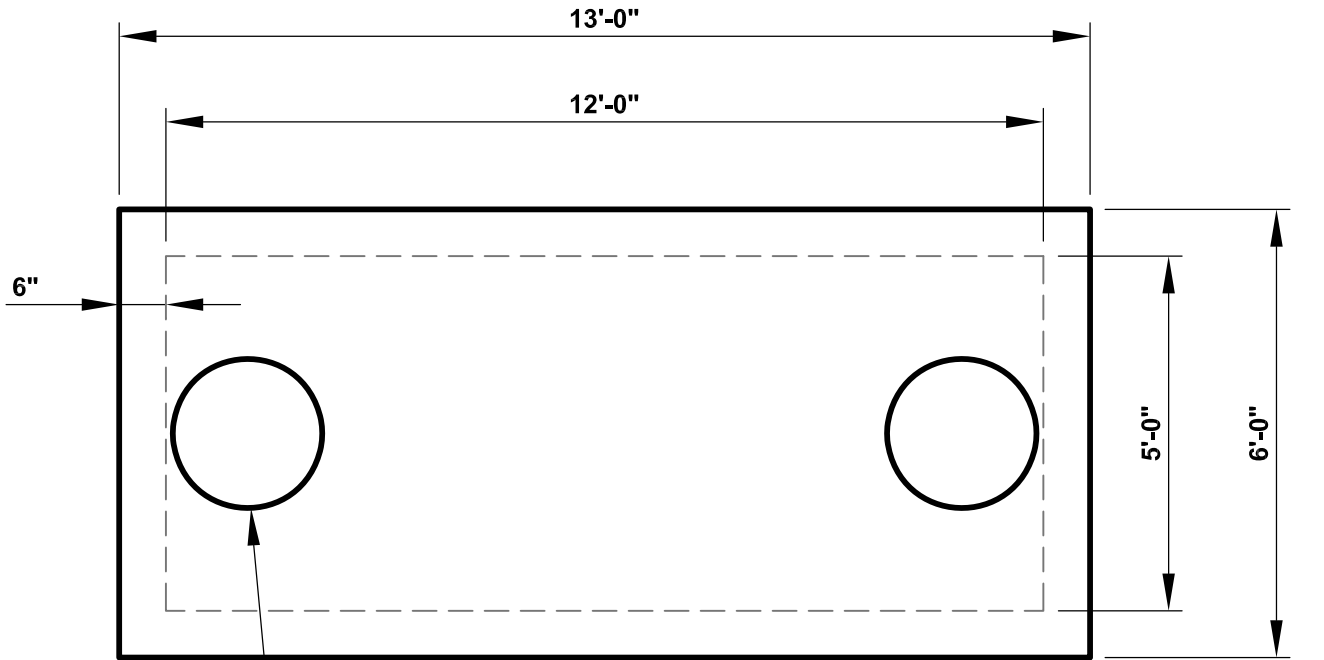
150 HIGGINSON AVENUE - LINCOLN, RI 02865 - Phone (401) 723-7100 - Fax (401) 723-6866

NPCA
CERTIFIED PLANT

DURASTONE

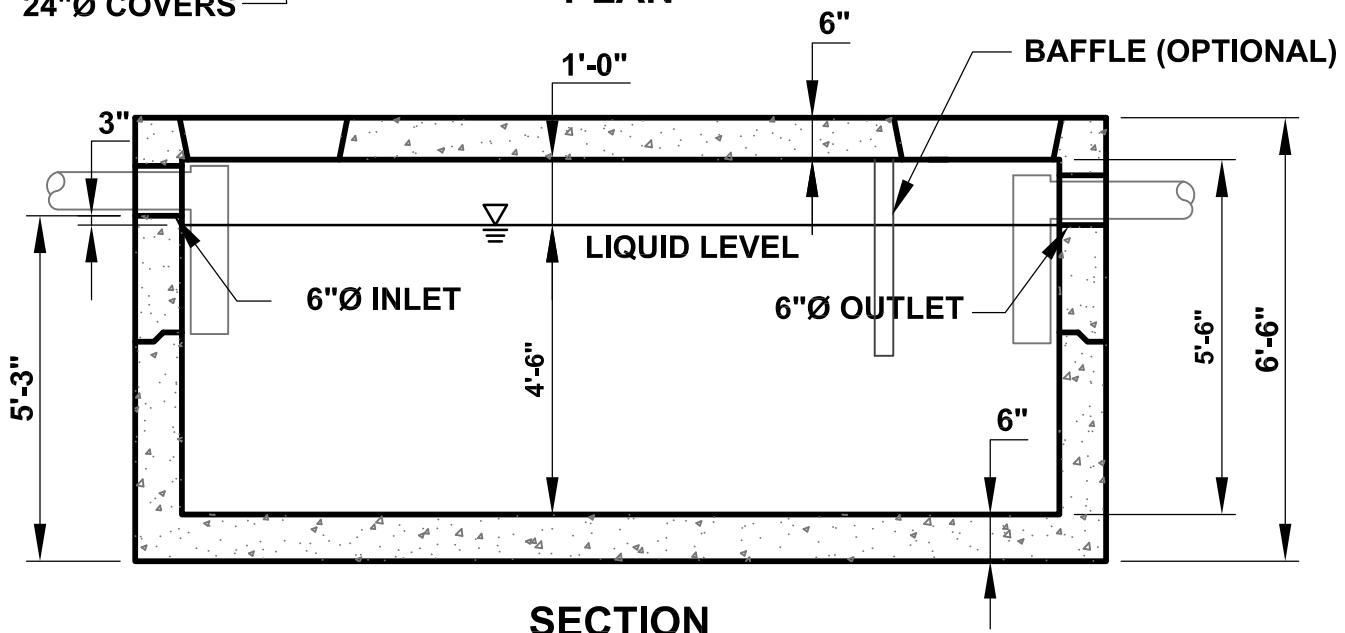
150 HIGGINSON AVENUE - LINCOLN, RI 02865 - Phone (401) 723-7100 - Fax (401) 723-6866

2,000 GALLON GREASE TRAP



24"Ø COVERS

PLAN



SECTION

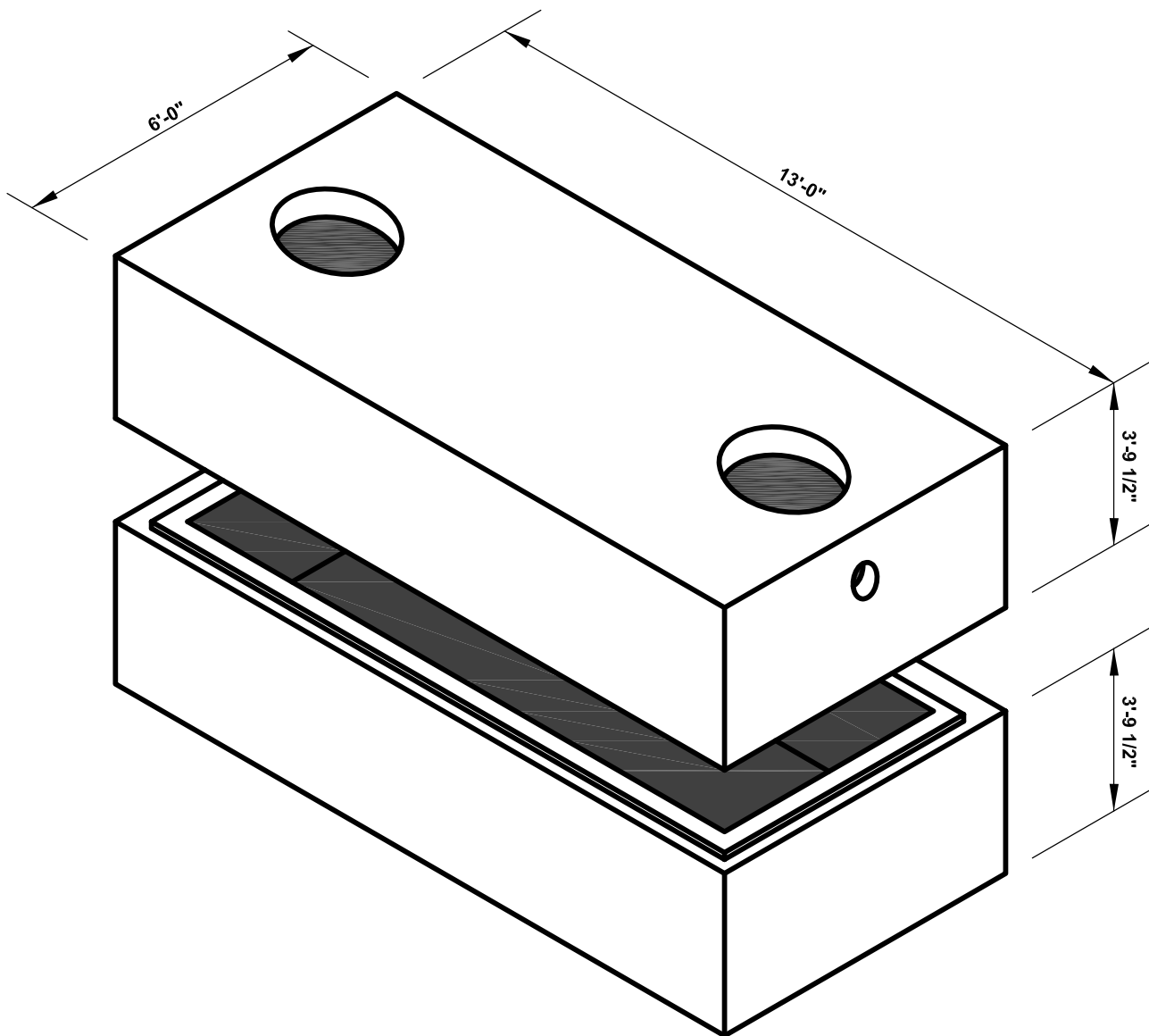
STANDARD SPECIFICATIONS

1. MINIMUM CONCRETE COMPRESSIVE STRENGTH: $F'_c = 5,000$ PSI
2. REINFORCEMENT: ASTM A615 GRADE 60, MINIMUM 1" COVER
3. DESIGN & DETAILING CODE: ACI318 (UNLESS OTHERWISE SPECIFIED)
4. AASHTO HS20 LIVE LOAD
5. JOINT SEALANT: 1" BUTYL RUBBER
6. APPURTENANCES: FURNISHED & INSTALLED BY OTHERS

DURASTONE

2,500 GALLON GREASE TRAP

INTERIOR DIMENSIONS 12'x5'x6'-7"



APPROX. WEIGHTS:

TOP: 13,300 LB

BASE: 14,800 LB

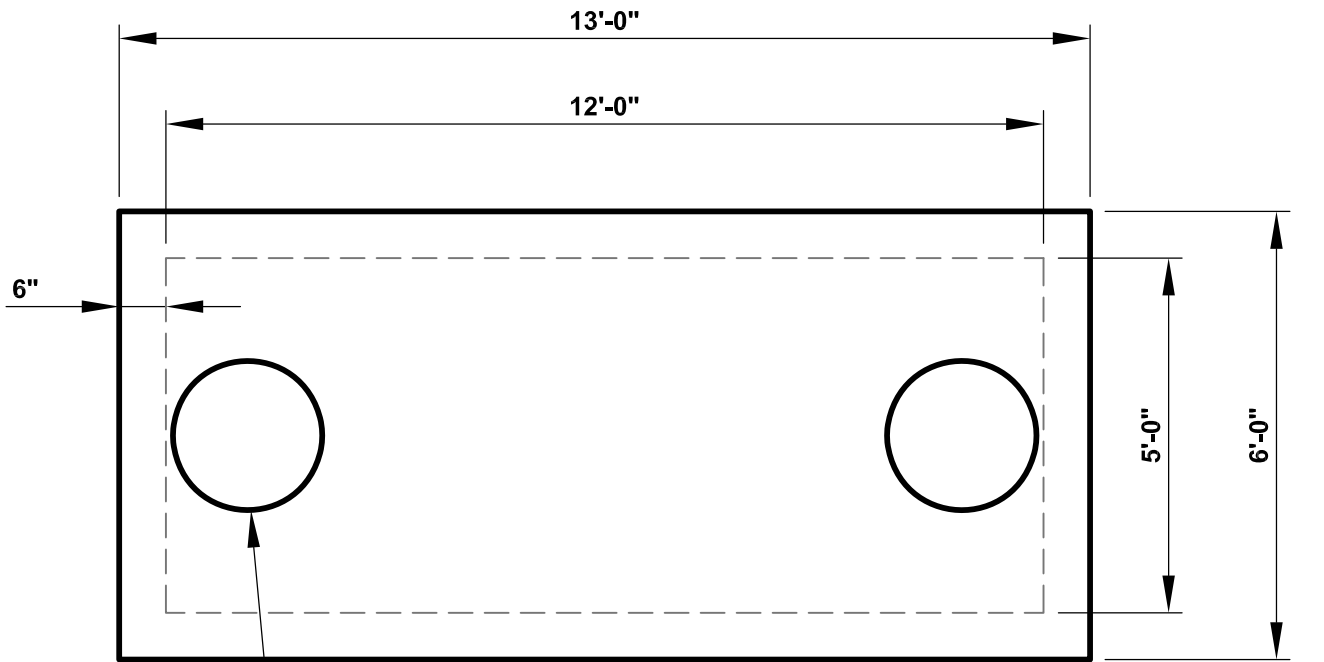
150 HIGGINSON AVENUE - LINCOLN, RI 02865 - Phone (401) 723-7100 - Fax (401) 723-6866

NPCA
CERTIFIED PLANT

DURASTONE

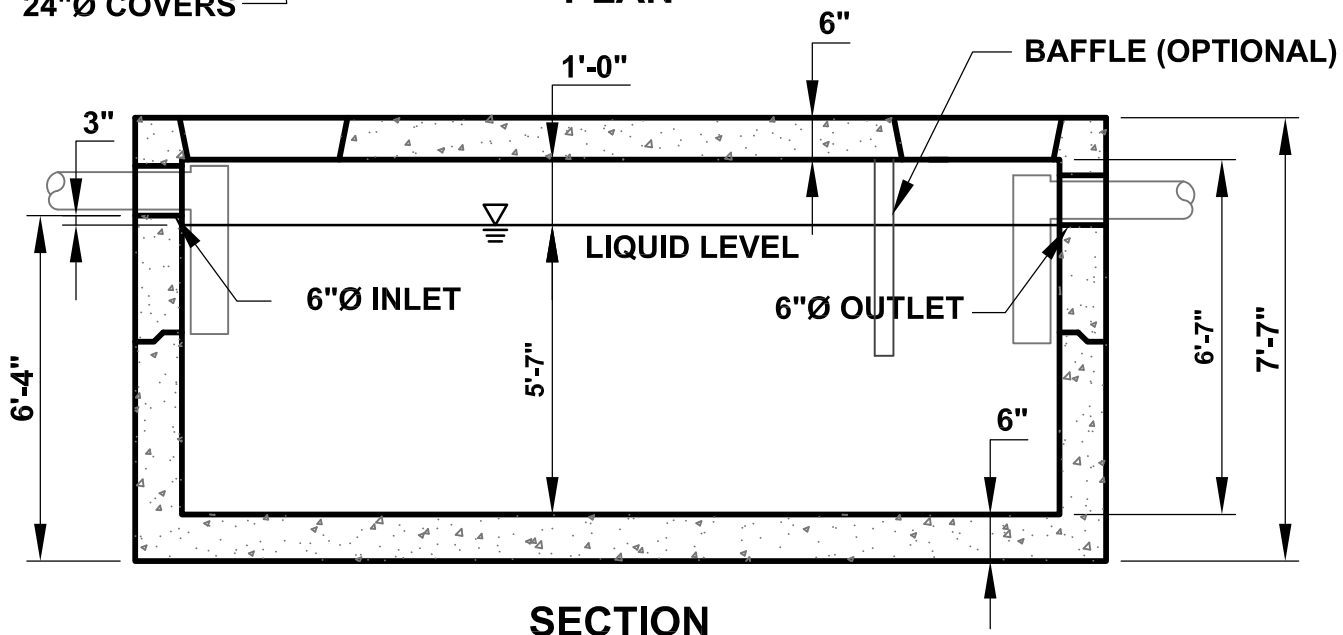
150 HIGGINSON AVENUE - LINCOLN, RI 02865 - Phone (401) 723-7100 - Fax (401) 723-6866

2,500 GALLON GREASE TRAP



24"Ø COVERS

PLAN



SECTION

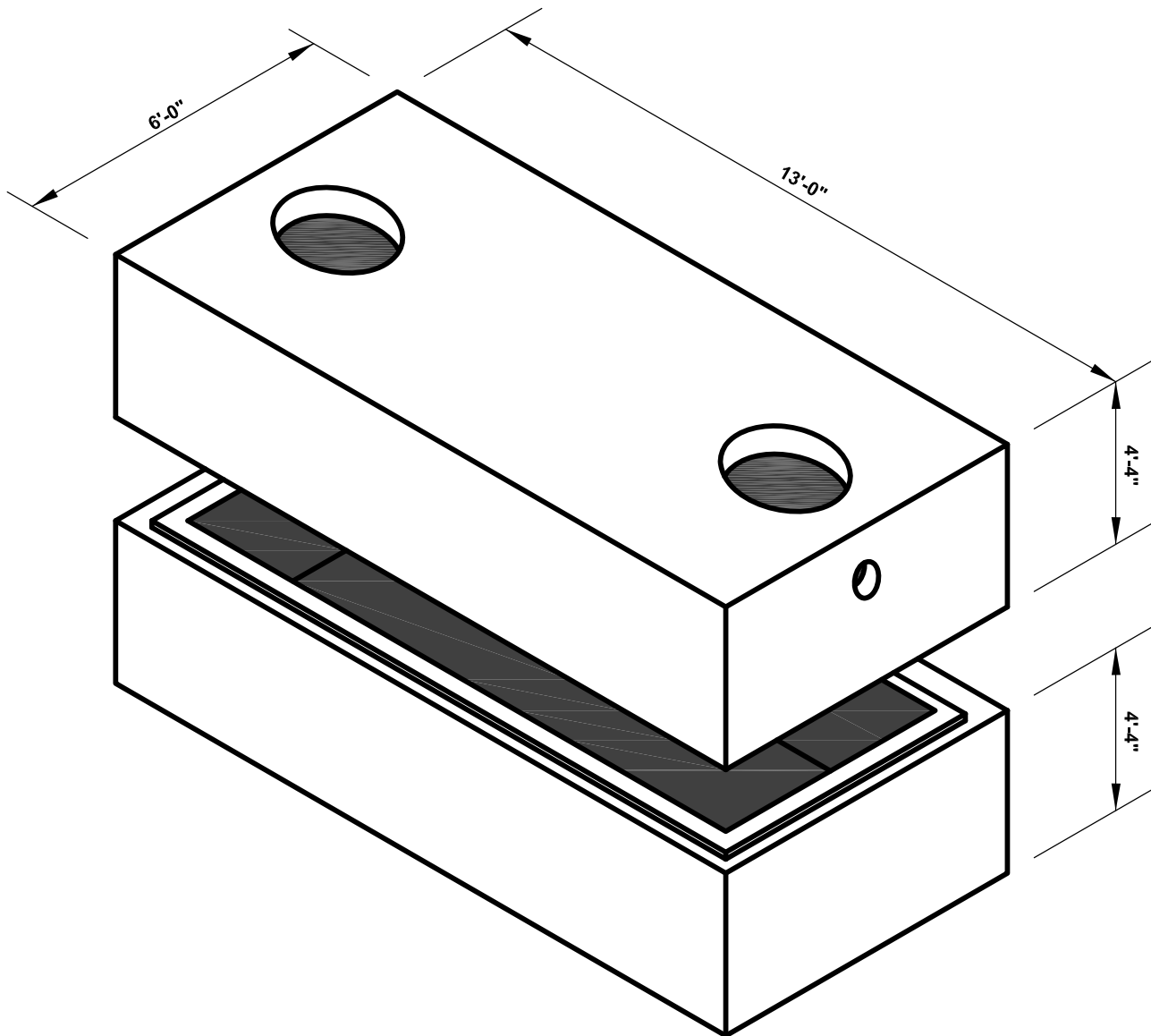
STANDARD SPECIFICATIONS

1. MINIMUM CONCRETE COMPRESSIVE STRENGTH: $F'_c = 5,000$ PSI
2. REINFORCEMENT: ASTM A615 GRADE 60, MINIMUM 1" COVER
3. DESIGN & DETAILING CODE: ACI318 (UNLESS OTHERWISE SPECIFIED)
4. AASHTO HS20 LIVE LOAD
5. JOINT SEALANT: 1" BUTYL RUBBER
6. APPURTENANCES: FURNISHED & INSTALLED BY OTHERS

DURASTONE

3,000 GALLON GREASE TRAP

INTERIOR DIMENSIONS 12'x5'x7'-8"



APPROX. WEIGHTS:

TOP: 15,800 LB

BASE: 16,300 LB

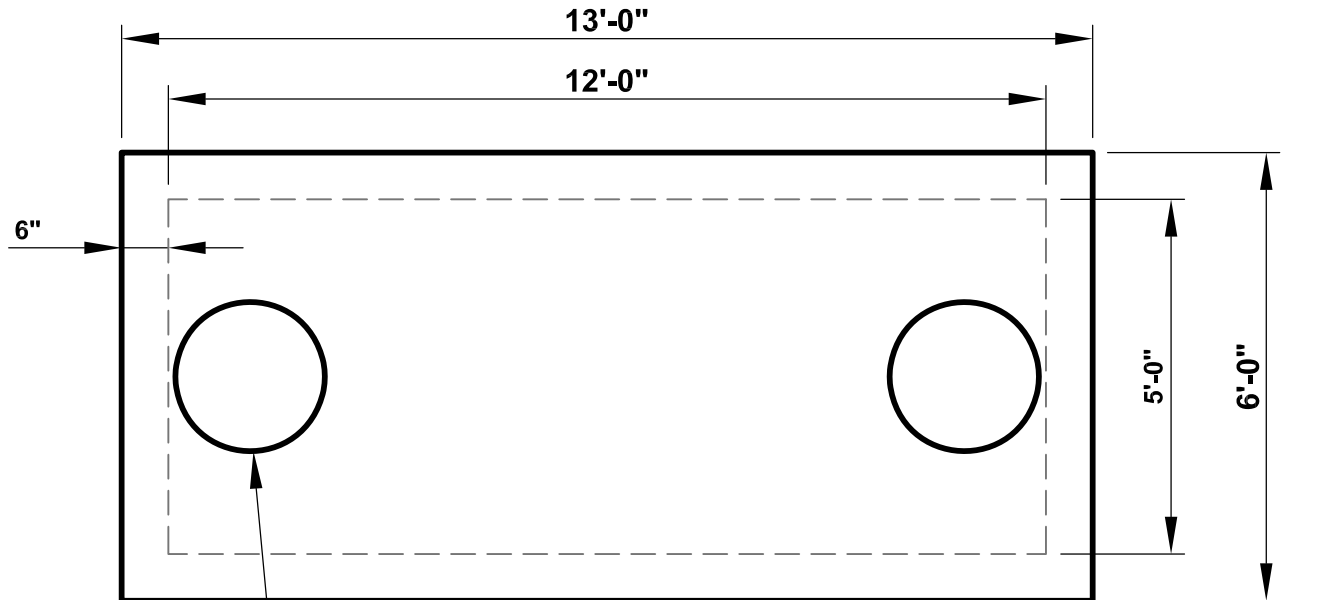
150 HIGGINSON AVENUE - LINCOLN, RI 02865 - Phone (401) 723-7100 - Fax (401) 723-6866

NPCA
CERTIFIED PLANT

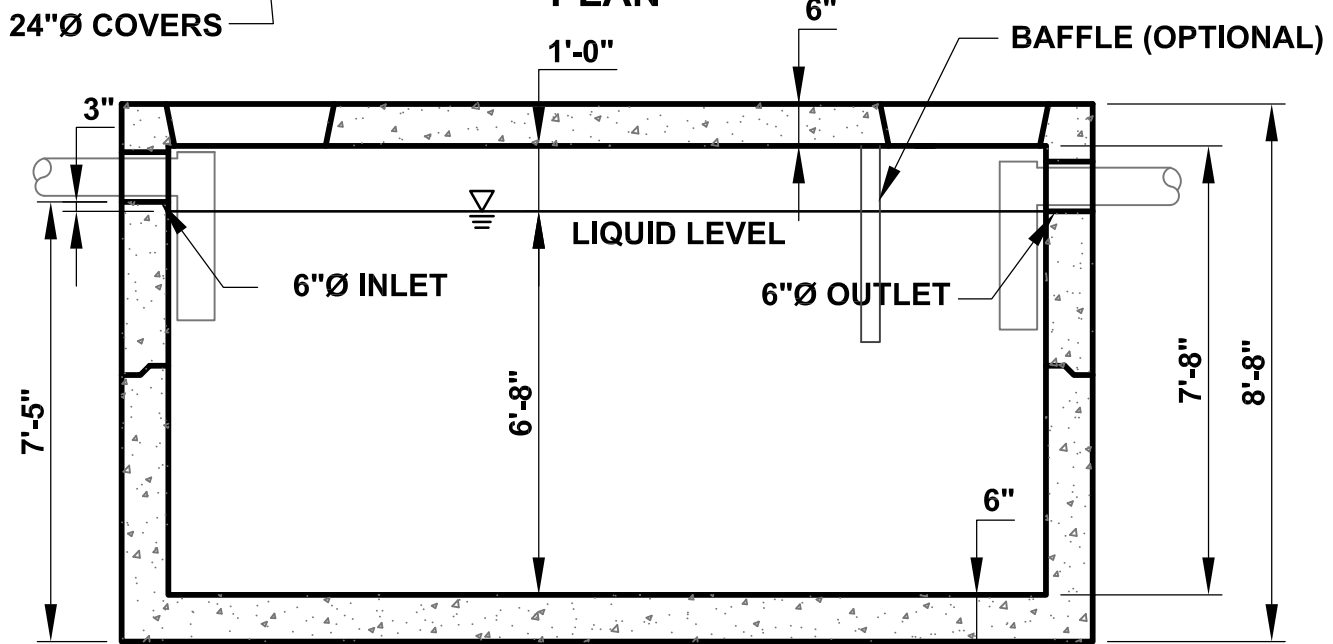
DURASTONE

150 HIGGINSON AVENUE - LINCOLN, RI 02865 - Phone (401) 723-7100 - Fax (401) 723-6866

3,000 GALLON GREASE TRAP



PLAN



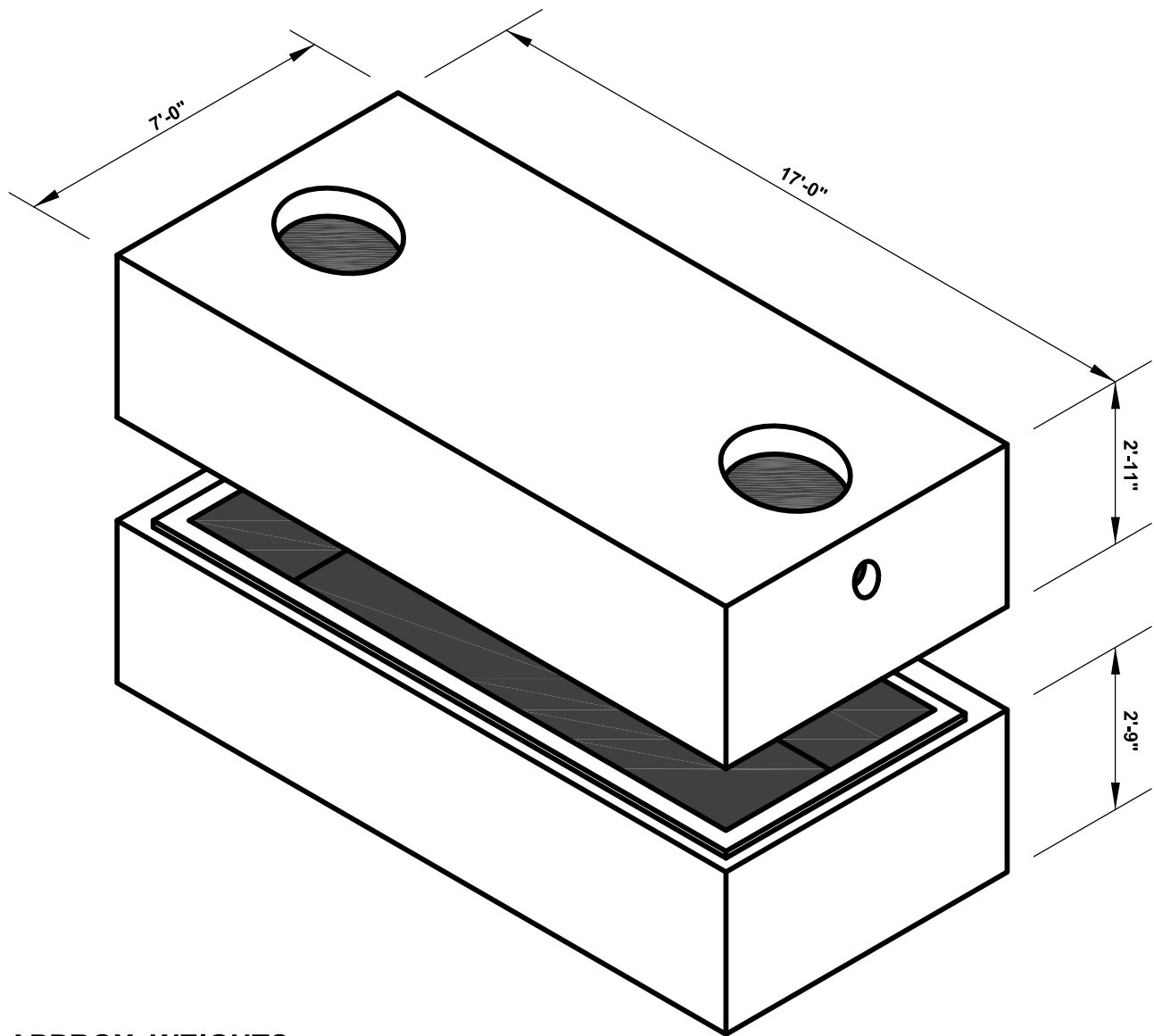
SECTION

STANDARD SPECIFICATIONS

1. MINIMUM CONCRETE COMPRESSIVE STRENGTH: $F'_c = 5,000$ PSI
2. REINFORCEMENT: ASTM A615 GRADE 60, MINIMUM 1" COVER
3. DESIGN & DETAILING CODE: ACI318 (UNLESS OTHERWISE SPECIFIED)
4. AASHTO HS20 LIVE LOAD
5. JOINT SEALANT: 1" BUTYL RUBBER
6. APPURTENANCES: FURNISHED & INSTALLED BY OTHERS

DURASTONE

2,500 GALLON GREASE TRAP **INTERIOR DIMENSIONS 16'x6'x4'-6"**



APPROX. WEIGHTS:
TOP: 18,600 LB
BASE: 16,700 LB

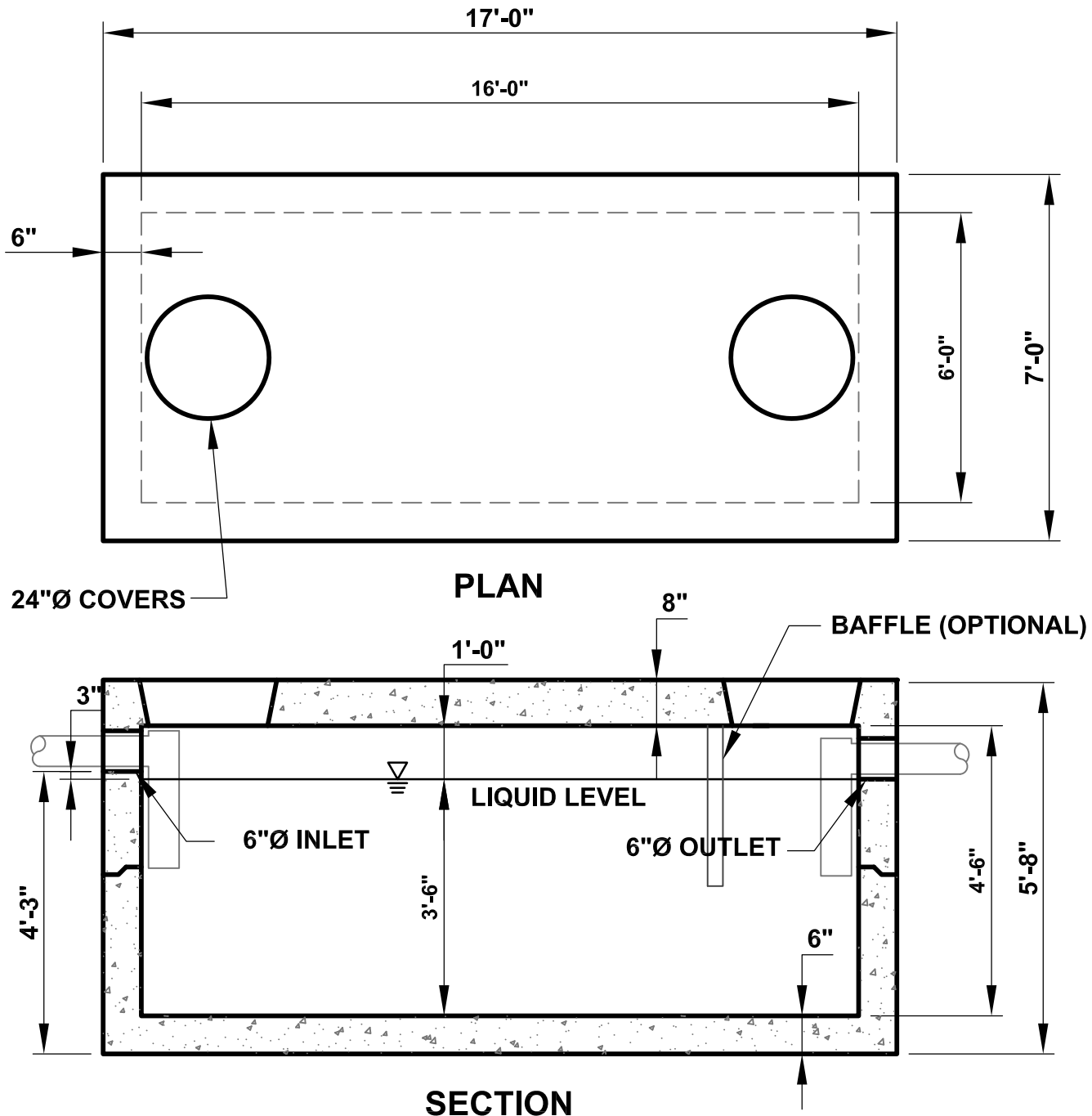
150 HIGGINSON AVENUE - LINCOLN, RI 02865 - Phone (401) 723-7100 - Fax (401) 723-6866

NPCA
CERTIFIED PLANT

DURASTONE

150 HIGGINSON AVENUE - LINCOLN, RI 02865 - Phone (401) 723-7100 - Fax (401) 723-6866

2,500 GALLON GREASE TRAP

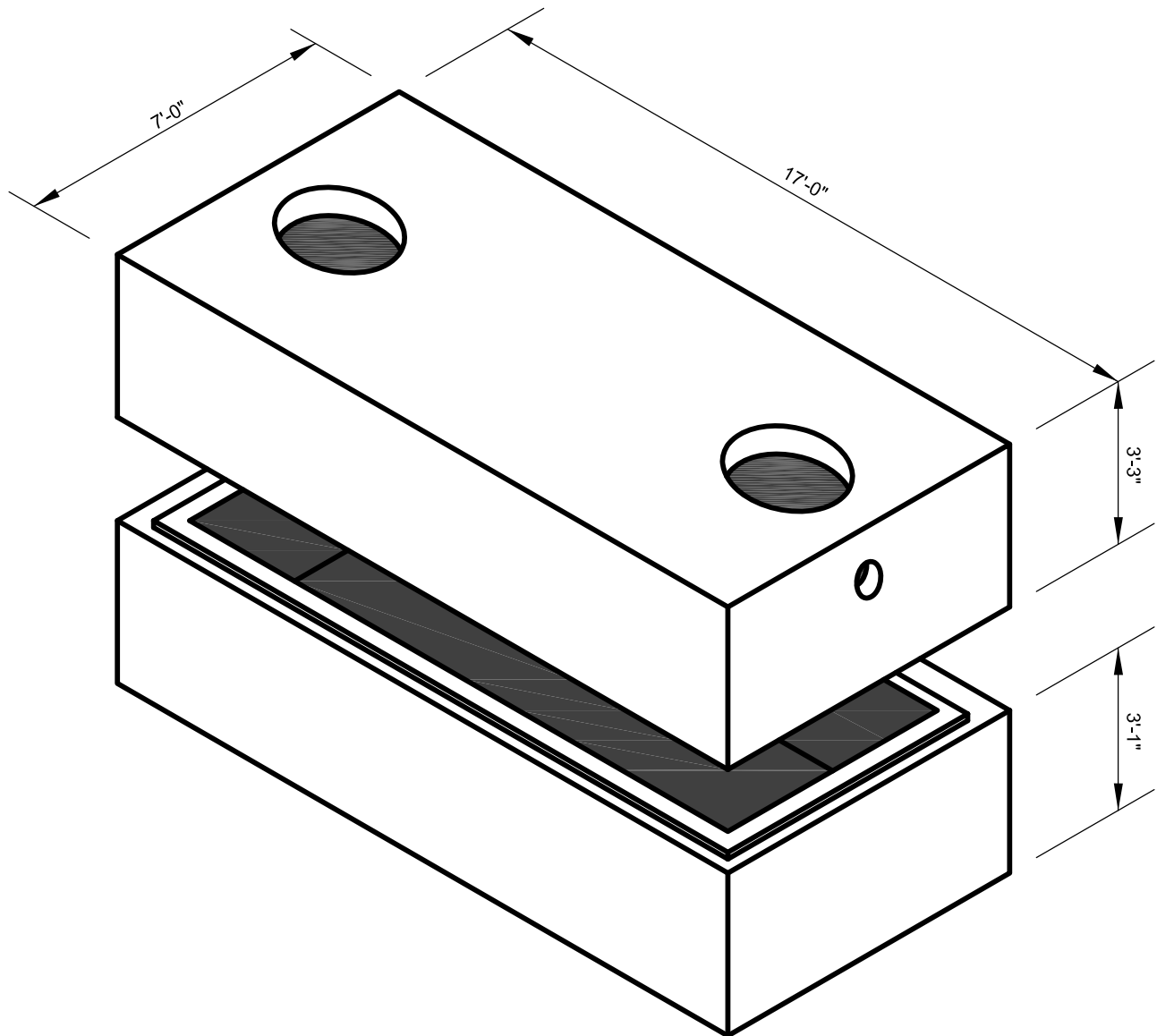


STANDARD SPECIFICATIONS

1. MINIMUM CONCRETE COMPRESSIVE STRENGTH: $F'_c = 5,000$ PSI
2. REINFORCEMENT: ASTM A615 GRADE 60, MINIMUM 1" COVER
3. DESIGN & DETAILING CODE: ACI318 (UNLESS OTHERWISE SPECIFIED)
4. AASHTO HS20 LIVE LOAD
5. JOINT SEALANT: 1" BUTYL RUBBER
6. APPURTENANCES: FURNISHED & INSTALLED BY OTHERS

DURASTONE

3,000 GALLON GREASE TRAP **INTERIOR DIMENSIONS 16'X6'X5'-2"**



APPROX. WEIGHTS:
TOP: 19,800 LB
BASE: 17,900 LB

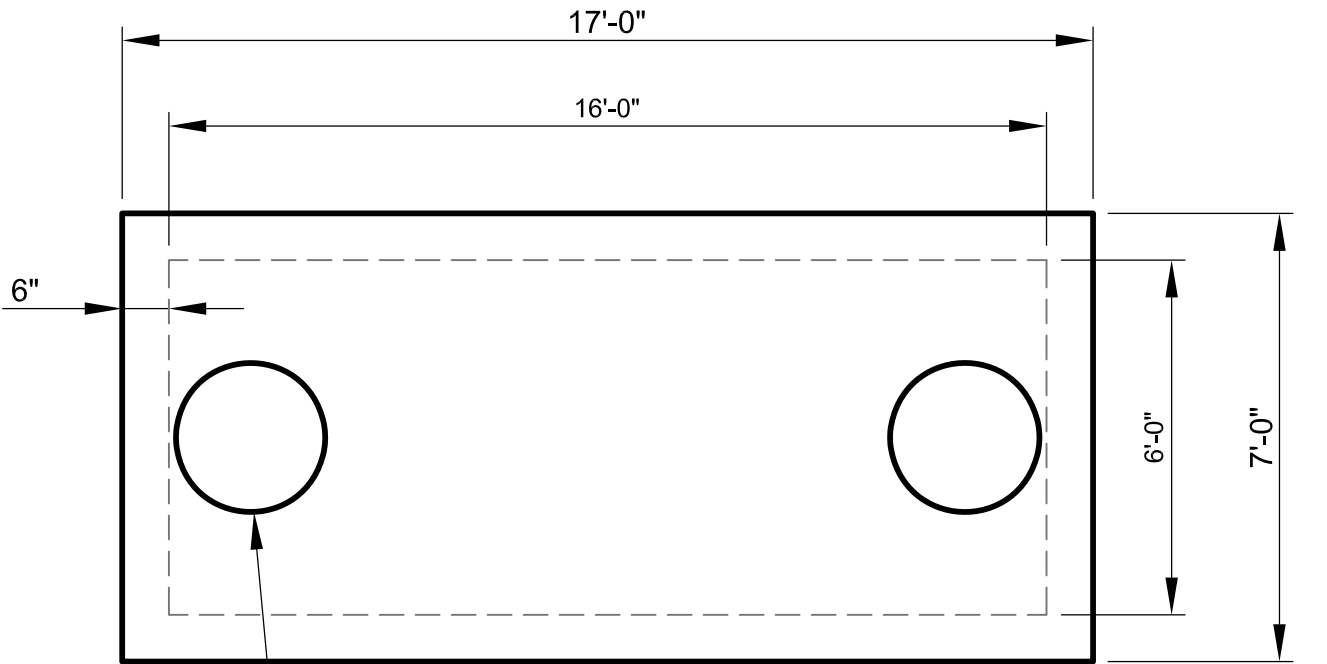
150 HIGGINSON AVENUE - LINCOLN, RI 02865 - Phone (401) 723-7100 - Fax (401) 723-6866

NPCA
CERTIFIED PLANT

DURASTONE

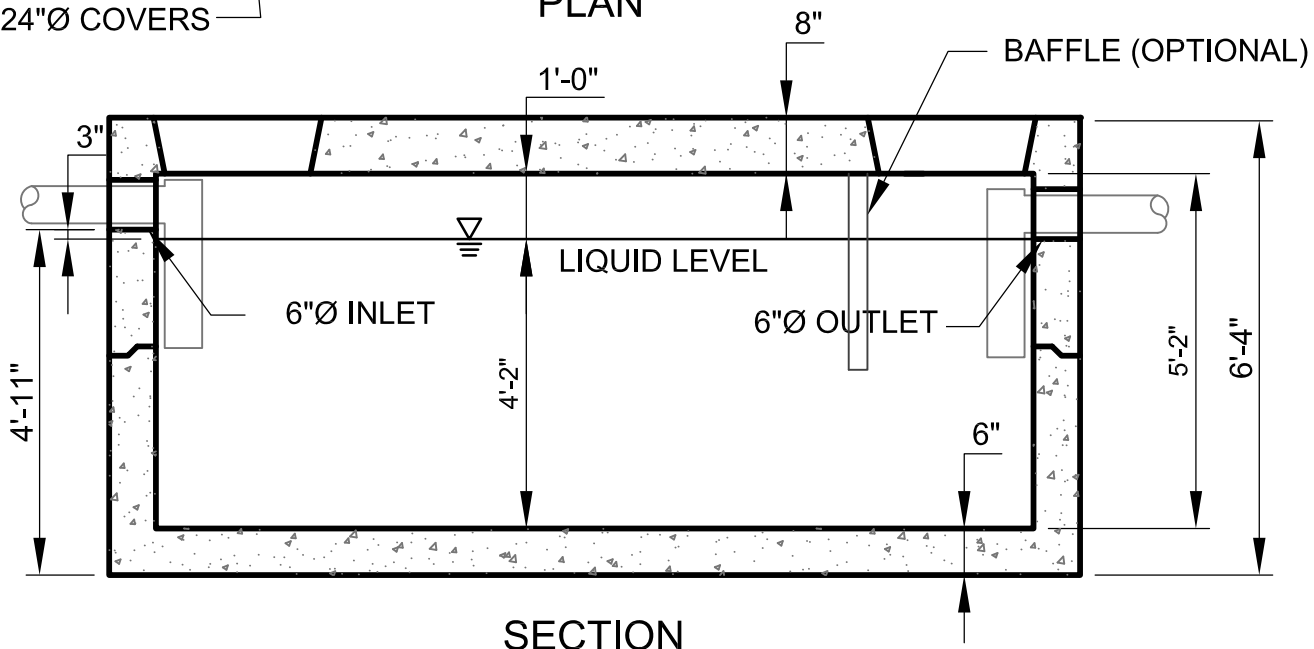
150 HIGGINSON AVENUE - LINCOLN, RI 02865 - Phone (401) 723-7100 - Fax (401) 723-6866

3,000 GALLON GREASE TRAP



24"Ø COVERS

PLAN



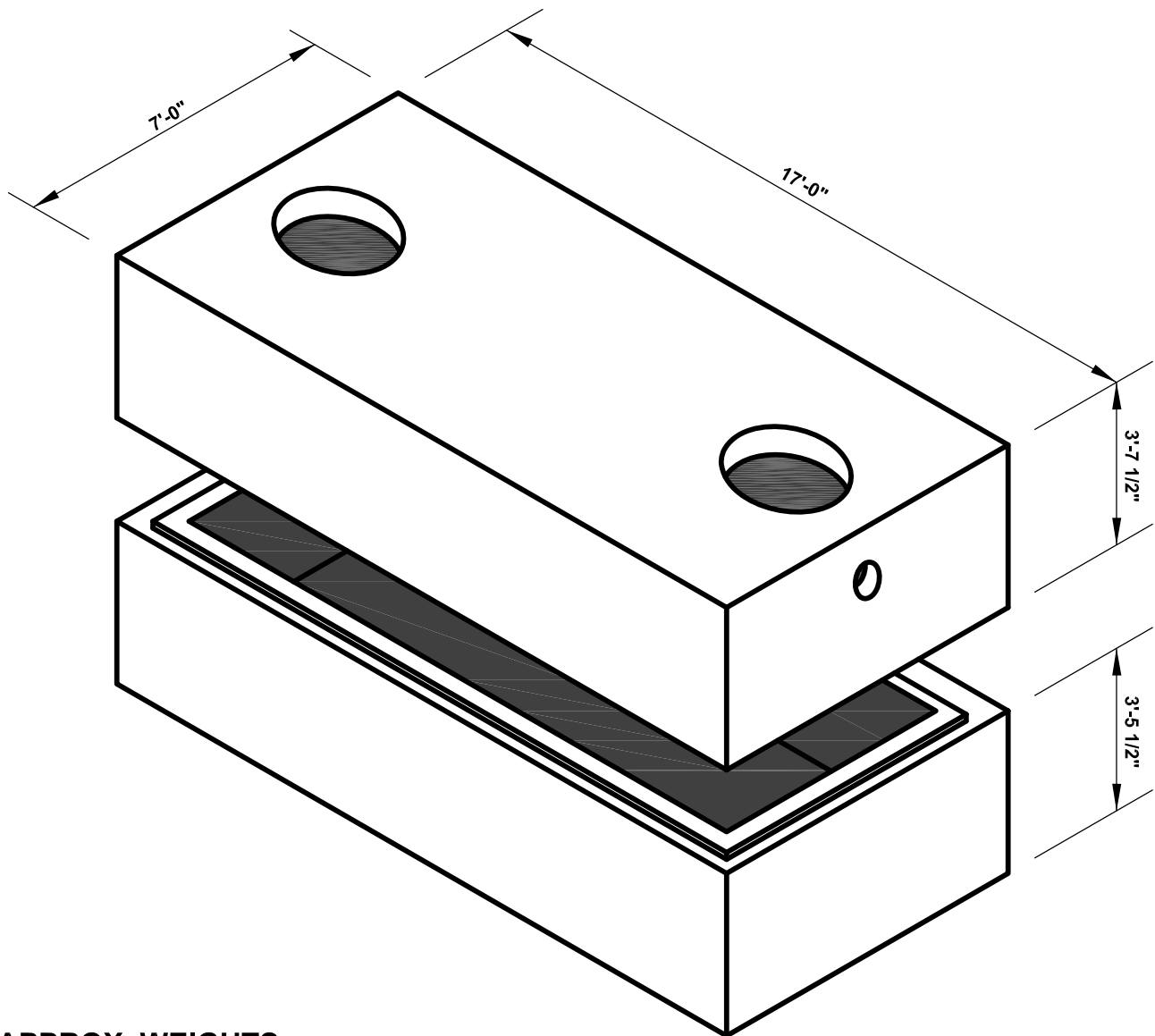
SECTION

STANDARD SPECIFICATIONS

1. MINIMUM CONCRETE COMPRESSIVE STRENGTH: $F'_c = 5,000$ PSI
2. REINFORCEMENT: ASTM A615 GRADE 60, MINIMUM 1" COVER
3. DESIGN & DETAILING CODE: ACI318 (UNLESS OTHERWISE SPECIFIED)
4. AASHTO HS20 LIVE LOAD
5. JOINT SEALANT: 1" BUTYL RUBBER
6. APPURTENANCES: FURNISHED & INSTALLED BY OTHERS

DURASTONE

3,500 GALLON GREASE TRAP **INTERIOR DIMENSIONS 16'X6'X5'-11"**



APPROX. WEIGHTS:
TOP: 21,000 LB
BASE: 19,100 LB

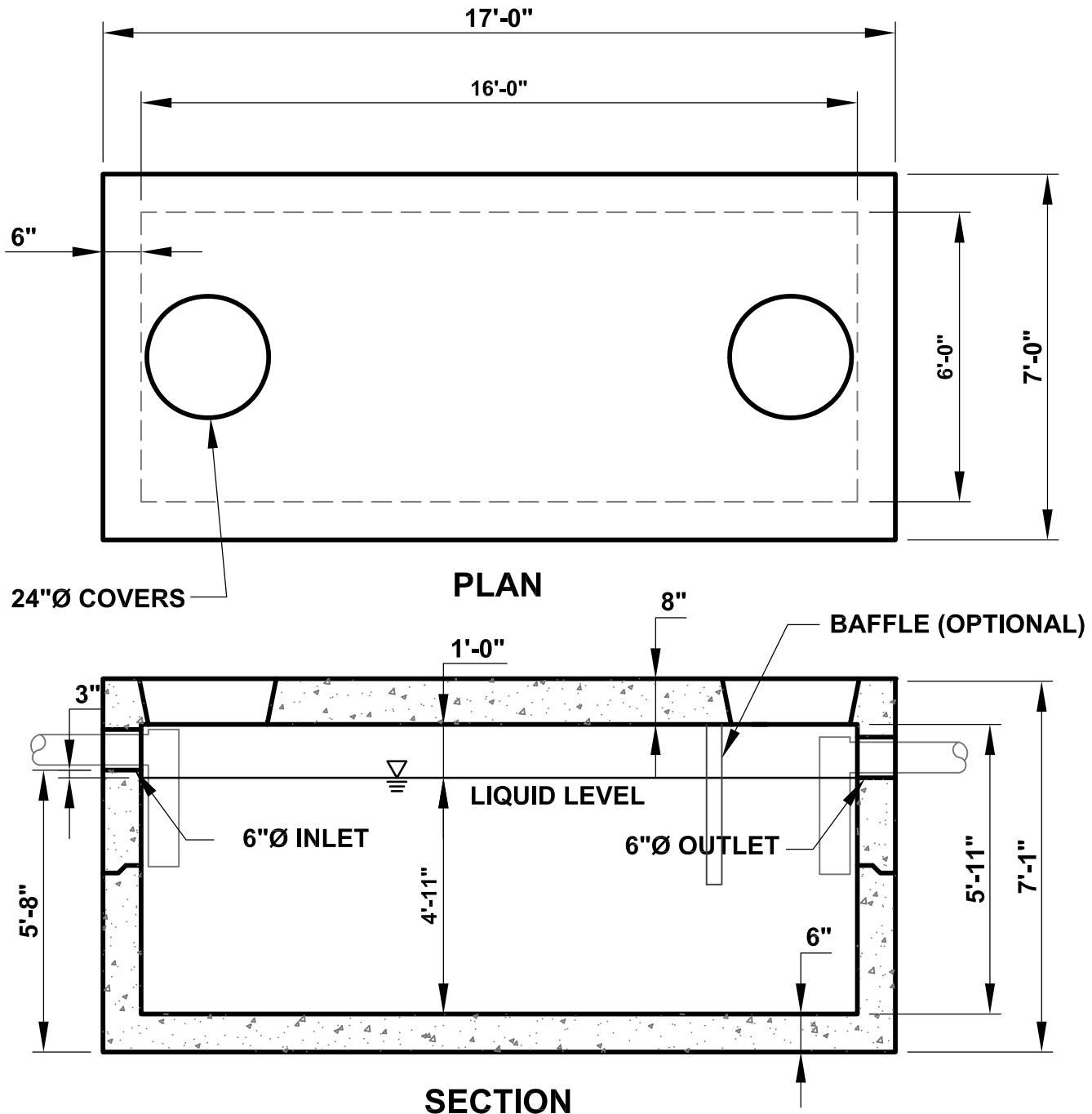
150 HIGGINSON AVENUE - LINCOLN, RI 02865 - Phone (401) 723-7100 - Fax (401) 723-6866

NPCA
CERTIFIED PLANT

DURASTONE

150 HIGGINSON AVENUE - LINCOLN, RI 02865 - Phone (401) 723-7100 - Fax (401) 723-6866

3,500 GALLON GREASE TRAP

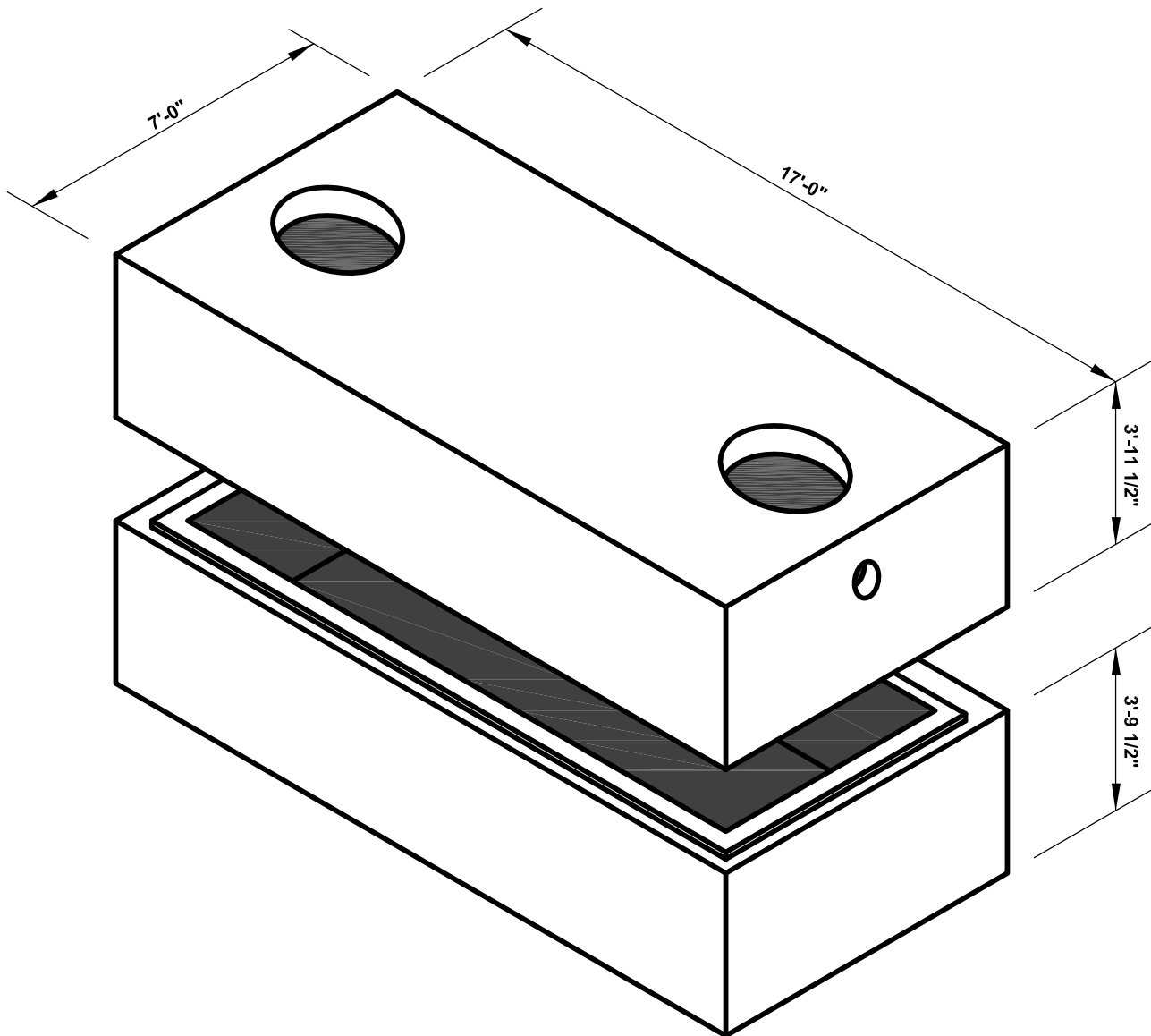


STANDARD SPECIFICATIONS

1. MINIMUM CONCRETE COMPRESSIVE STRENGTH: $F'_c = 5,000$ PSI
2. REINFORCEMENT: ASTM A615 GRADE 60, MINIMUM 1" COVER
3. DESIGN & DETAILING CODE: ACI318 (UNLESS OTHERWISE SPECIFIED)
4. AASHTO HS20 LIVE LOAD
5. JOINT SEALANT: 1" BUTYL RUBBER
6. APPURTENANCES: FURNISHED & INSTALLED BY OTHERS

DURASTONE

4,000 GALLON GREASE TRAP INTERIOR DIMENSIONS 16'X6'X6'-7"



APPROX. WEIGHTS:
TOP: 22,200 LB
BASE: 20,300 LB

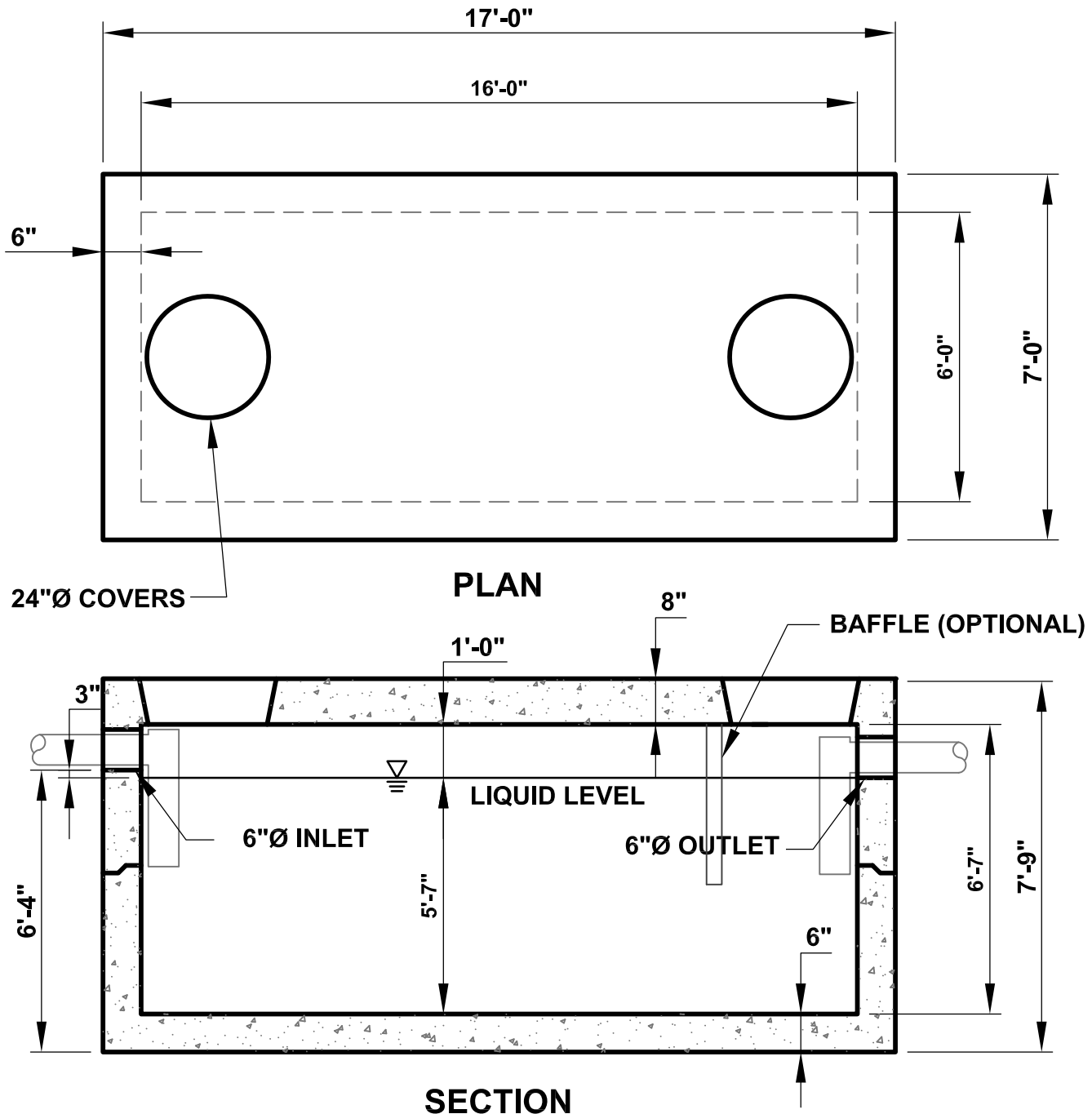
150 HIGGINSON AVENUE - LINCOLN, RI 02865 - Phone (401) 723-7100 - Fax (401) 723-6866

NPCA
CERTIFIED PLANT

DURASTONE

150 HIGGINSON AVENUE - LINCOLN, RI 02865 - Phone (401) 723-7100 - Fax (401) 723-6866

4,000 GALLON GREASE TRAP



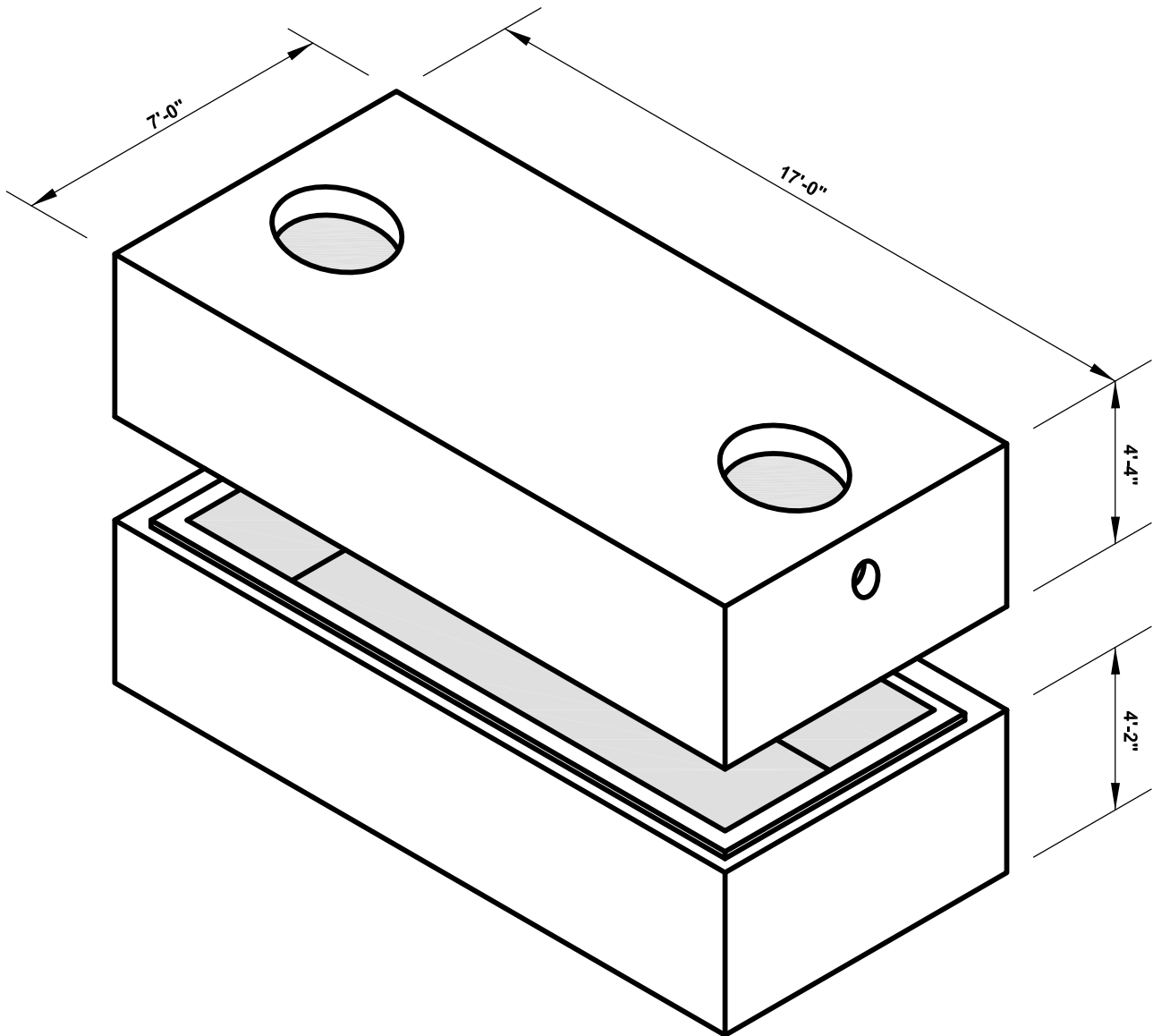
STANDARD SPECIFICATIONS

1. MINIMUM CONCRETE COMPRESSIVE STRENGTH: $F'_c = 5,000$ PSI
2. REINFORCEMENT: ASTM A615 GRADE 60, MINIMUM 1" COVER
3. DESIGN & DETAILING CODE: ACI318 (UNLESS OTHERWISE SPECIFIED)
4. AASHTO HS20 LIVE LOAD
5. JOINT SEALANT: 1" BUTYL RUBBER
6. APPURTENANCES: FURNISHED & INSTALLED BY OTHERS

DURASTONE

4,500 GALLON GREASE TRAP

INTERIOR DIMENSIONS 16'x6'x7'-4"



APPROX. WEIGHTS:

TOP: 23,500 LB

BASE: 21,600 LB

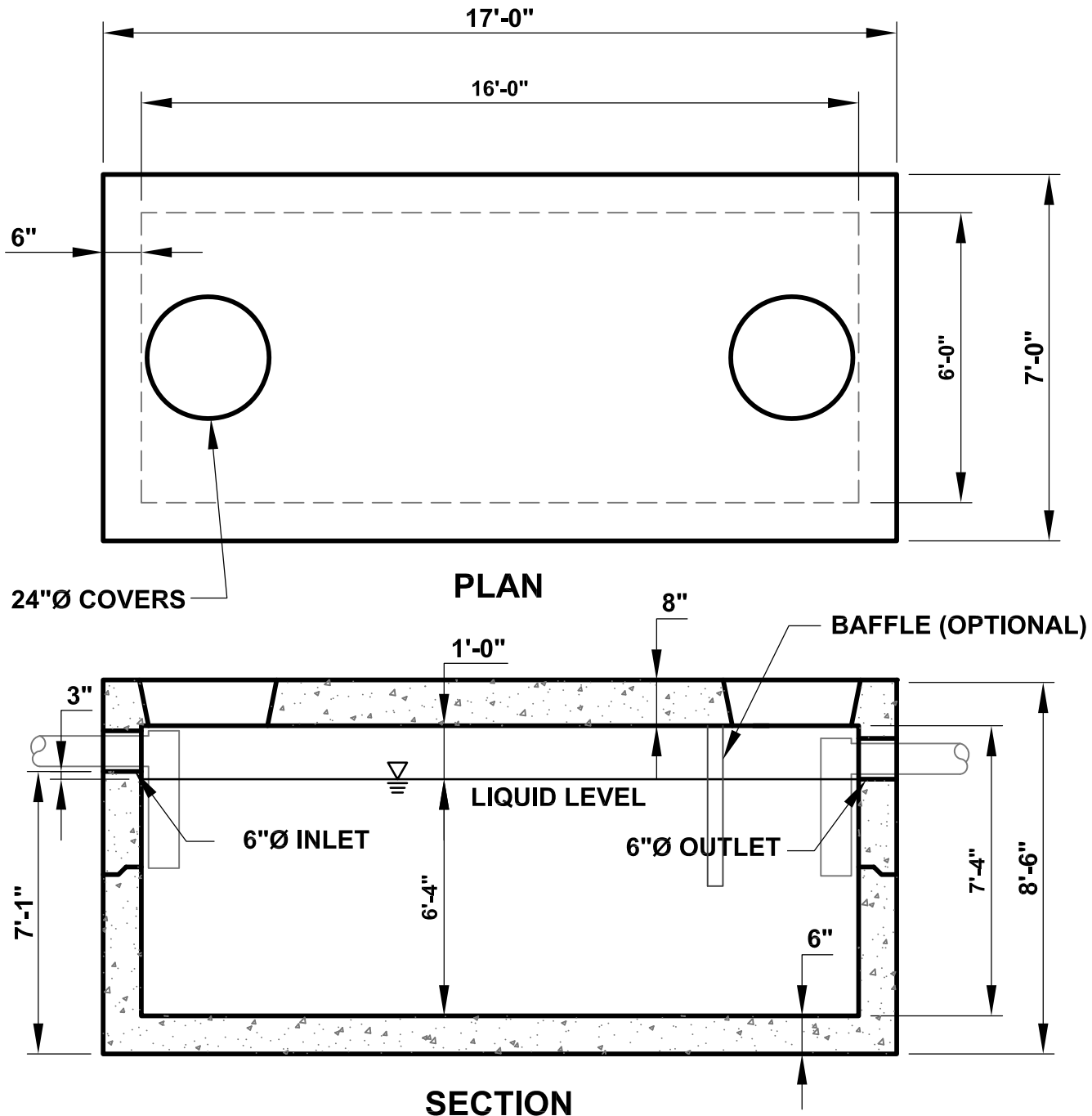
150 HIGGINSON AVENUE - LINCOLN, RI 02865 - Phone (401) 723-7100 - Fax (401) 723-6866

NPCA
CERTIFIED PLANT

DURASTONE

150 HIGGINSON AVENUE - LINCOLN, RI 02865 - Phone (401) 723-7100 - Fax (401) 723-6866

4,500 GALLON GREASE TRAP

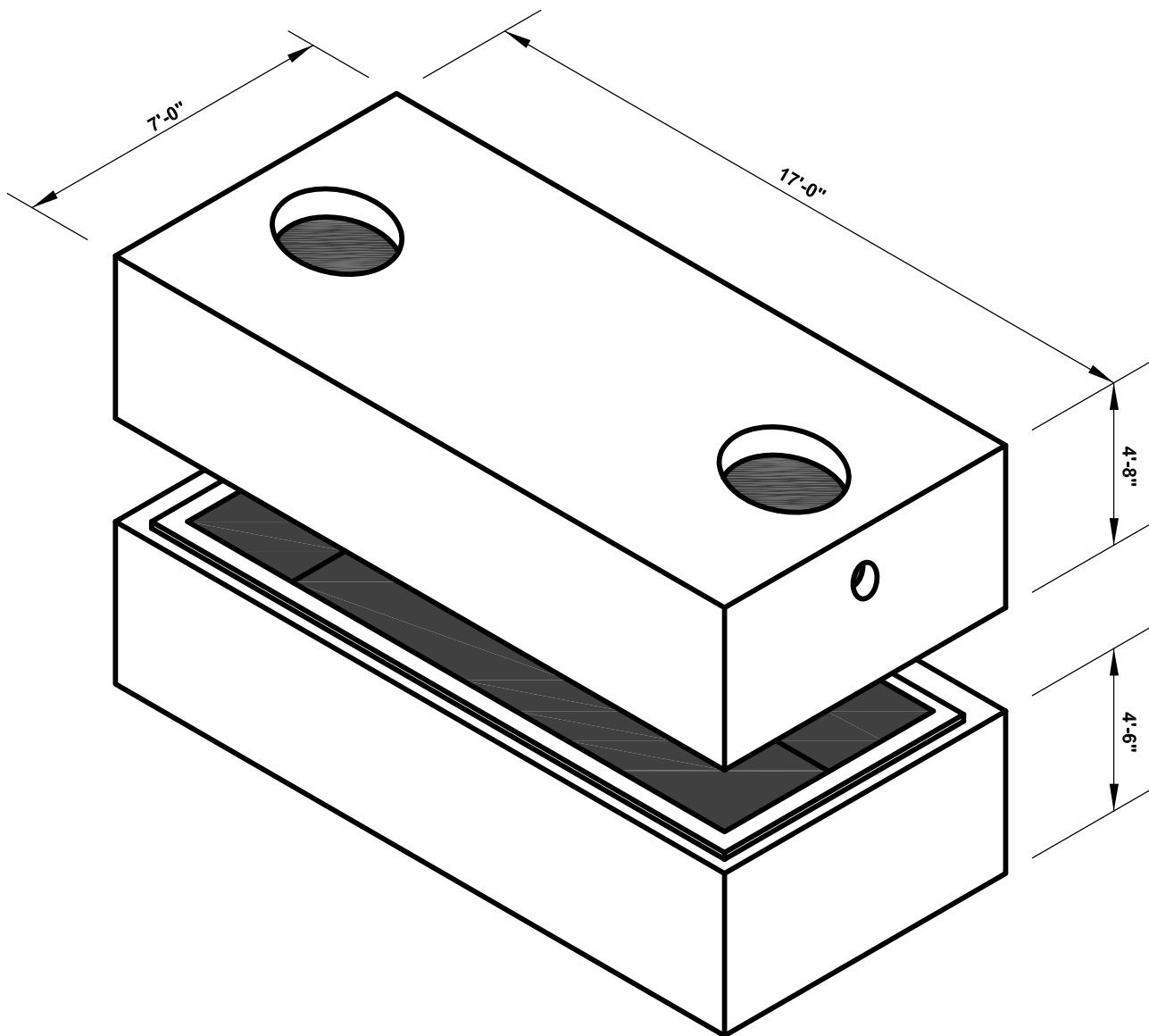


STANDARD SPECIFICATIONS

1. MINIMUM CONCRETE COMPRESSIVE STRENGTH: $F'_c = 5,000$ PSI
2. REINFORCEMENT: ASTM A615 GRADE 60, MINIMUM 1" COVER
3. DESIGN & DETAILING CODE: ACI318 (UNLESS OTHERWISE SPECIFIED)
4. AASHTO HS20 LIVE LOAD
5. JOINT SEALANT: 1" BUTYL RUBBER
6. APPURTENANCES: FURNISHED & INSTALLED BY OTHERS

DURASTONE

5,000 GALLON GREASE TRAP **INTERIOR DIMENSIONS 16'X6'X8'-0"**



APPROX. WEIGHTS:
TOP: 24,600 LB
BASE: 22,700 LB

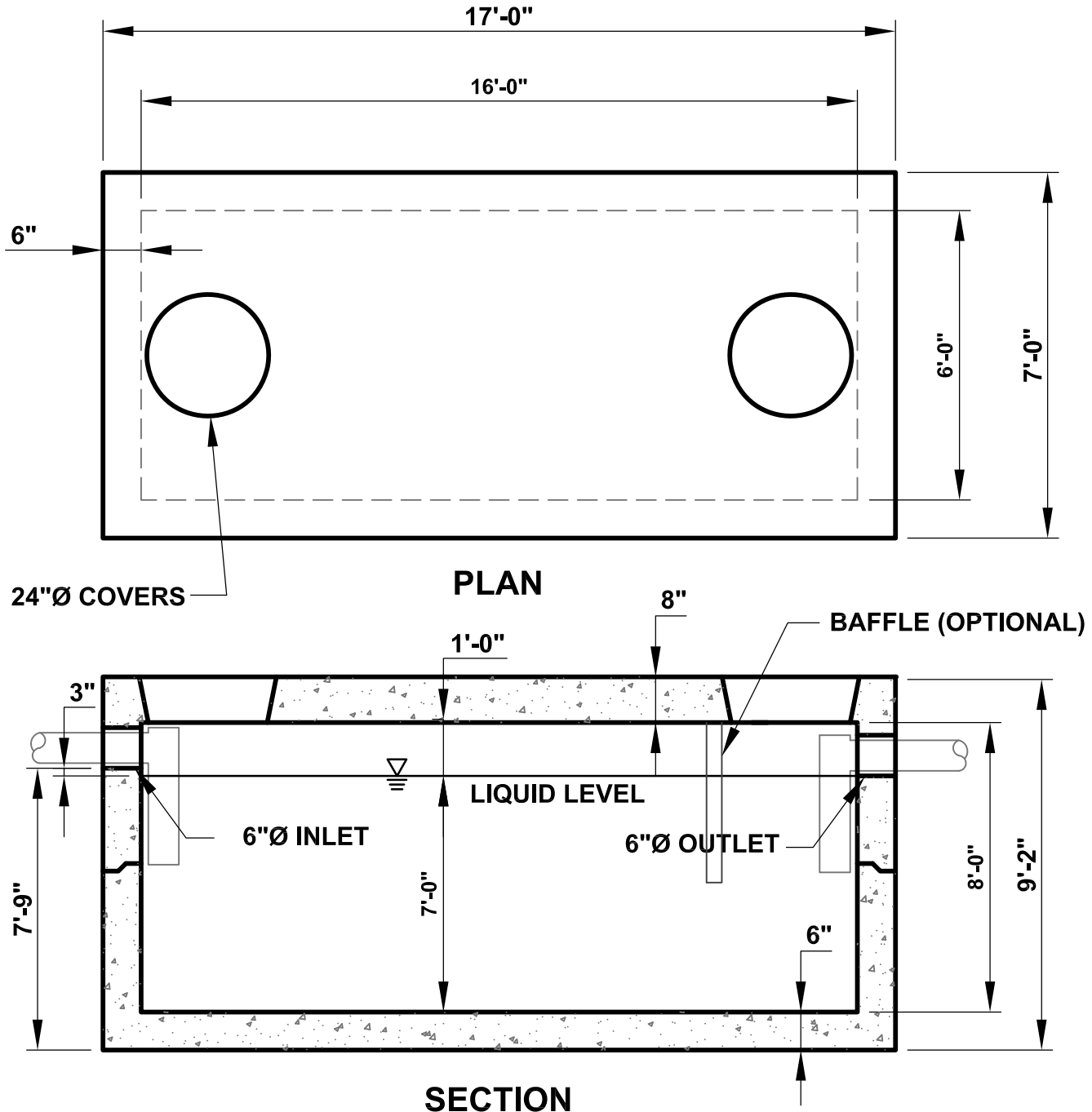
150 HIGGINSON AVENUE - LINCOLN, RI 02865 - Phone (401) 723-7100 - Fax (401) 723-6866

NPCA
CERTIFIED PLANT

DURASTONE

150 HIGGINSON AVENUE - LINCOLN, RI 02865 - Phone (401) 723-7100 - Fax (401) 723-6866

5,000 GALLON GREASE TRAP

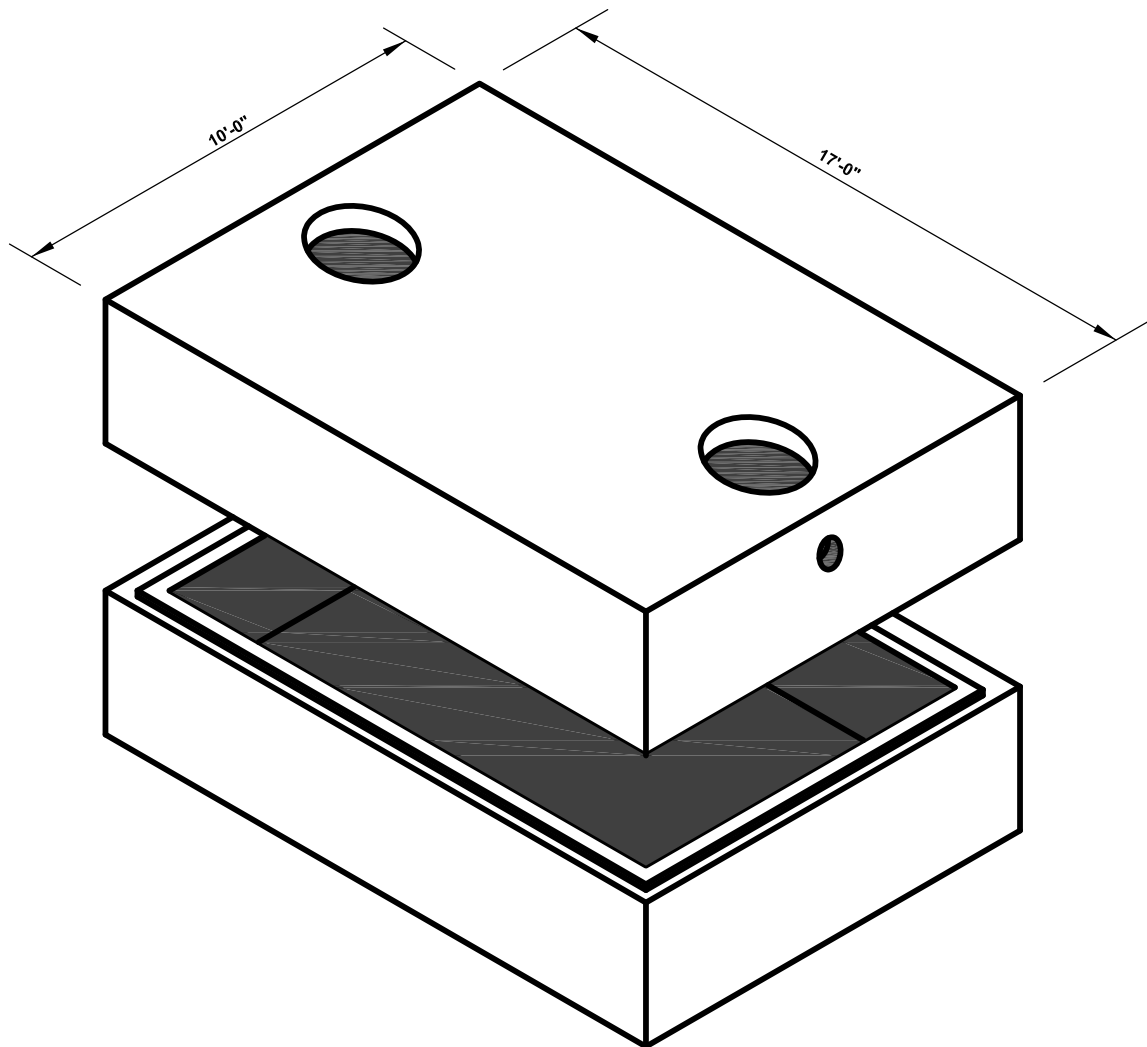


STANDARD SPECIFICATIONS

1. MINIMUM CONCRETE COMPRESSIVE STRENGTH: $F'_c = 5,000$ PSI
2. REINFORCEMENT: ASTM A615 GRADE 60, MINIMUM 1" COVER
3. DESIGN & DETAILING CODE: ACI318 (UNLESS OTHERWISE SPECIFIED)
4. AASHTO HS20 LIVE LOAD
5. JOINT SEALANT: 1" BUTYL RUBBER
6. APPURTENANCES: FURNISHED & INSTALLED BY OTHERS

DURASTONE

5,000 GALLON GREASE TRAP **INTERIOR DIMENSIONS 16'x9'x5'-8"**



APPROX. WEIGHTS:
TOP: 29,500 LB
BASE: 23,800 LB

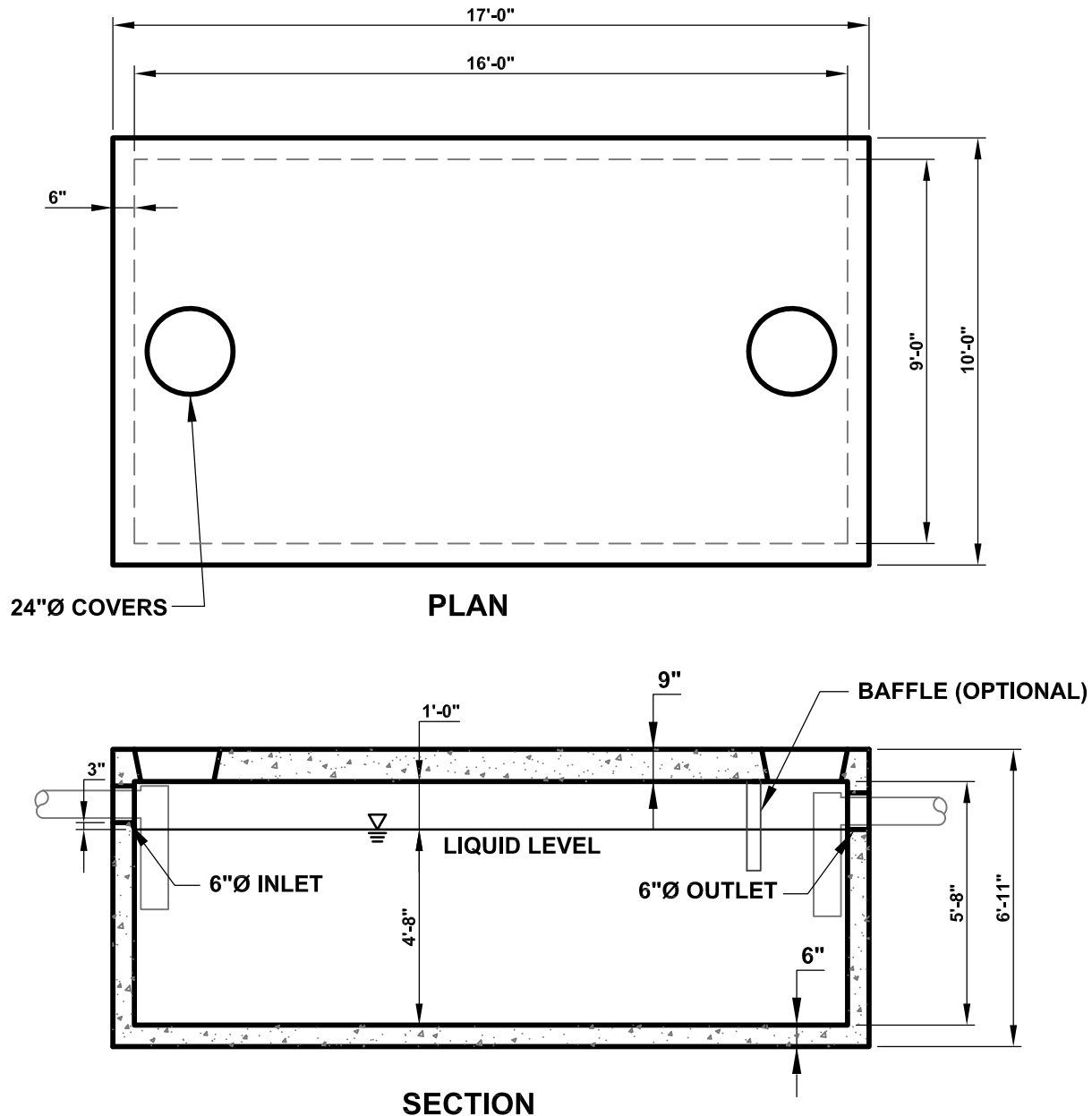
150 HIGGINSON AVENUE - LINCOLN, RI 02865 - Phone (401) 723-7100 - Fax (401) 723-6866

NPCA
CERTIFIED PLANT

DURASTONE

150 HIGGINSON AVENUE - LINCOLN, RI 02865 - Phone (401) 723-7100 - Fax (401) 723-6866

5,000 GALLON GREASE TRAP

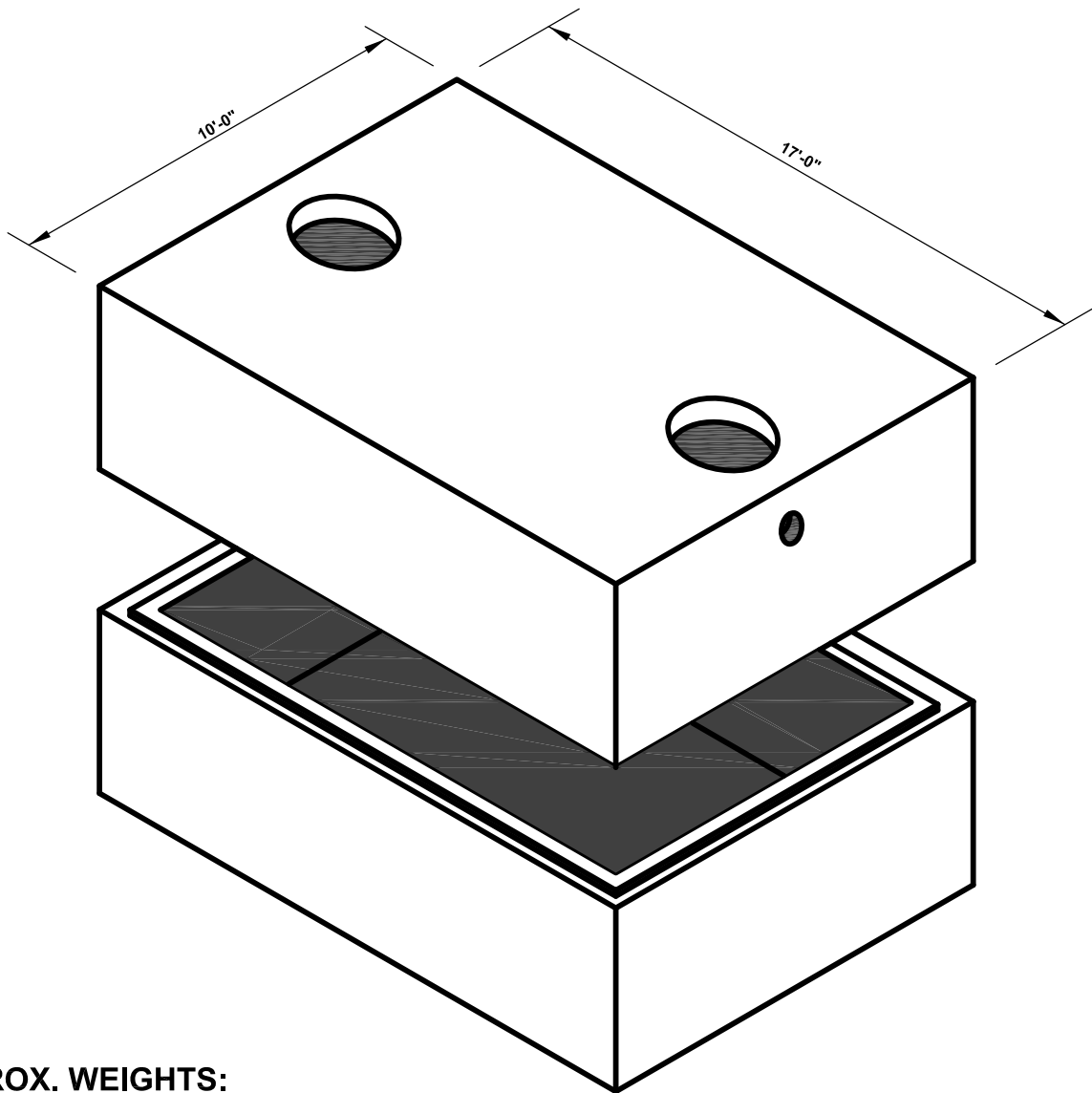


STANDARD SPECIFICATIONS

1. MINIMUM CONCRETE COMPRESSIVE STRENGTH: $F'_c = 5,000$ PSI
2. REINFORCEMENT: ASTM A615 GRADE 60, MINIMUM 1" COVER
3. DESIGN & DETAILING CODE: ACI318 (UNLESS OTHERWISE SPECIFIED)
4. AASHTO HS20 LIVE LOAD
5. JOINT SEALANT: 1" BUTYL RUBBER
6. APPURTENANCES: FURNISHED & INSTALLED BY OTHERS

DURASTONE

6,000 GALLON GREASE TRAP **INTERIOR DIMENSIONS 16'x9'x6'-7"**



APPROX. WEIGHTS:
TOP: 31,300 LB
BASE: 25,600 LB

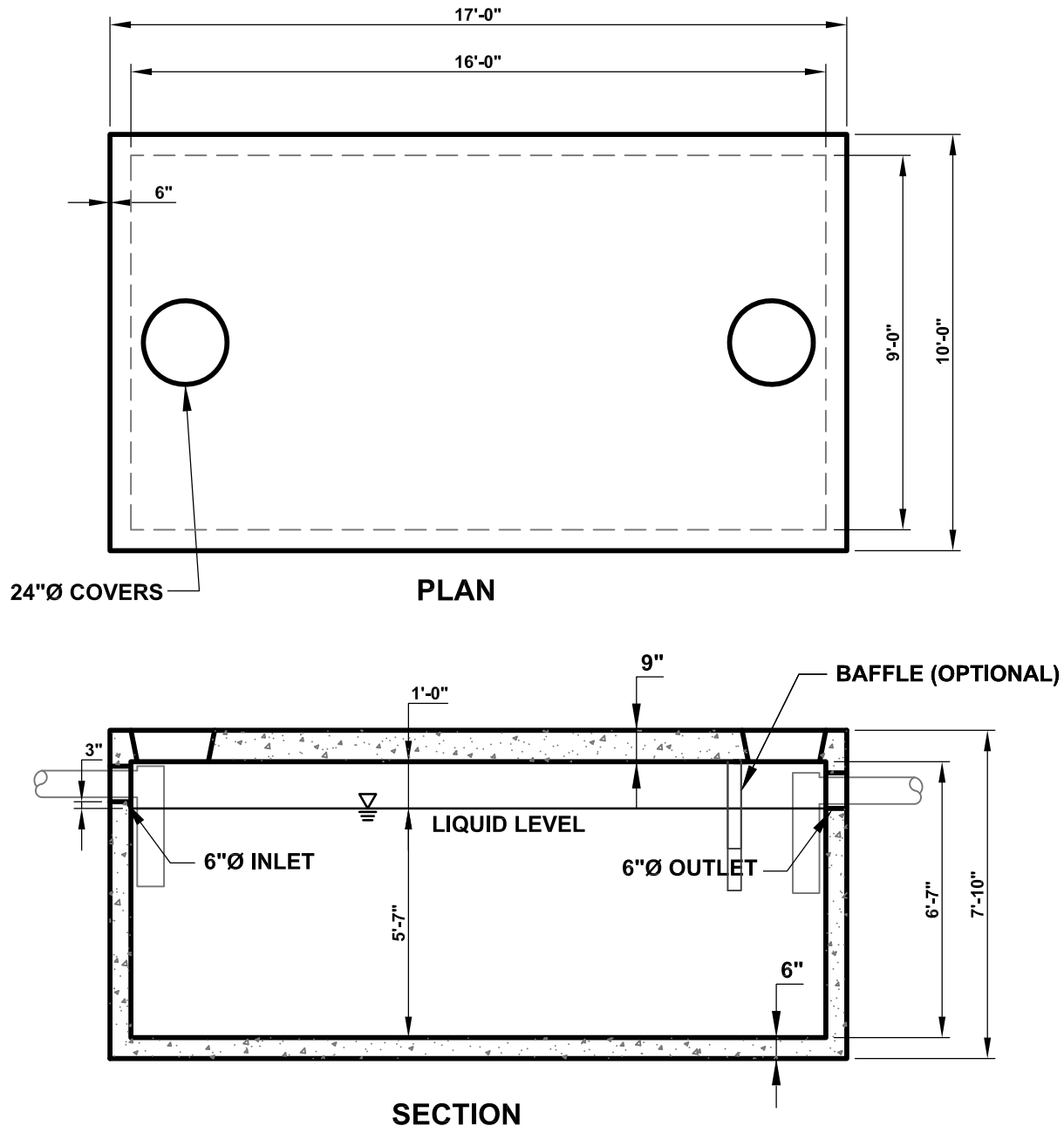
150 HIGGINSON AVENUE - LINCOLN, RI 02865 - Phone (401) 723-7100 - Fax (401) 723-6866

NPCA
CERTIFIED PLANT

DURASTONE

150 HIGGINSON AVENUE - LINCOLN, RI 02865 - Phone (401) 723-7100 - Fax (401) 723-6866

6,000 GALLON GREASE TRAP

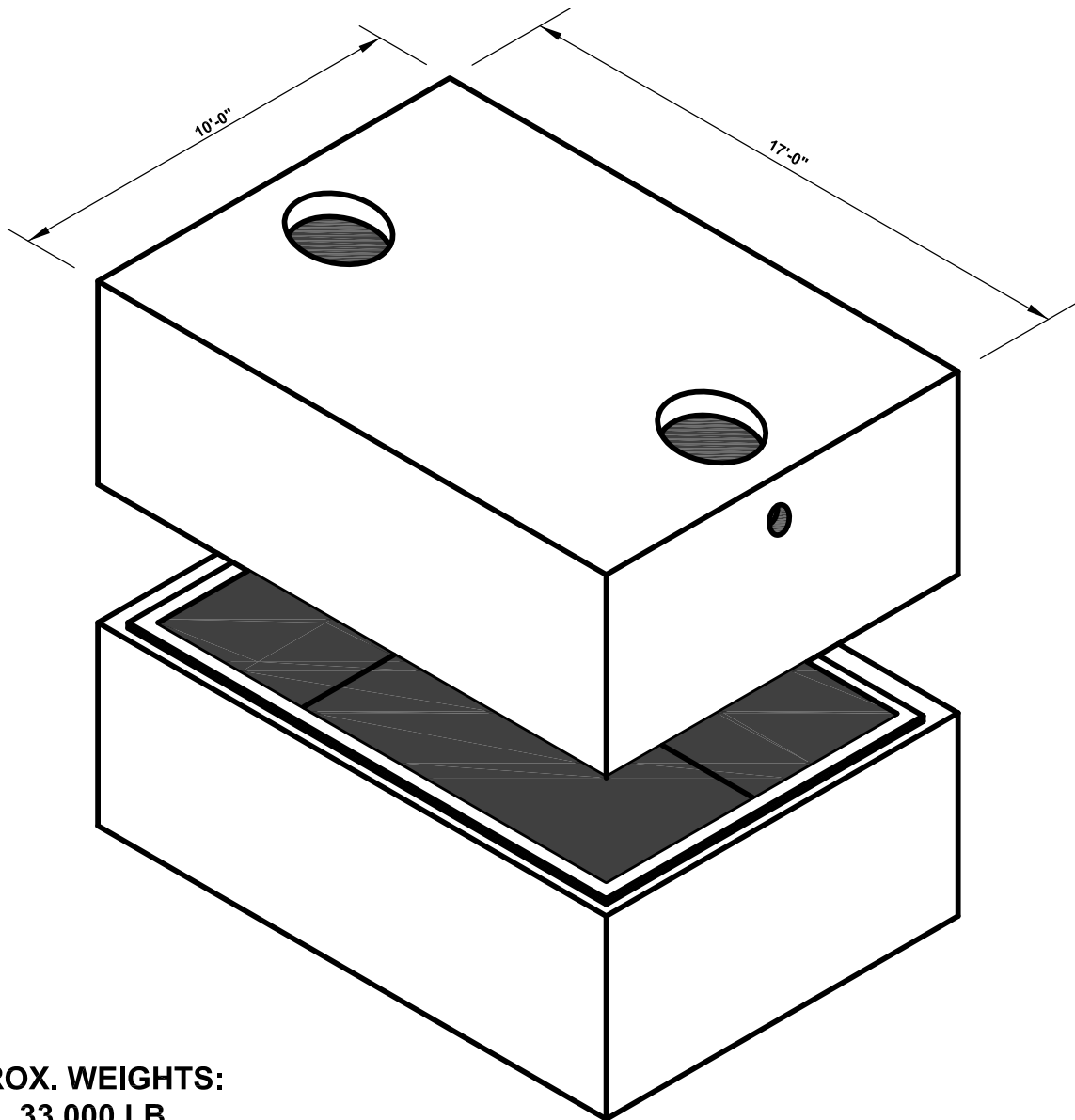


STANDARD SPECIFICATIONS

1. MINIMUM CONCRETE COMPRESSIVE STRENGTH: $F'_c = 5,000$ PSI
2. REINFORCEMENT: ASTM A615 GRADE 60, MINIMUM 1" COVER
3. DESIGN & DETAILING CODE: ACI318 (UNLESS OTHERWISE SPECIFIED)
4. AASHTO HS20 LIVE LOAD
5. JOINT SEALANT: 1" BUTYL RUBBER
6. APPURTENANCES: FURNISHED & INSTALLED BY OTHERS

DURASTONE

7,000 GALLON GREASE TRAP **INTERIOR DIMENSIONS 16'x9'x7'-6"**



APPROX. WEIGHTS:
TOP: 33,000 LB
BASE: 27,400 LB

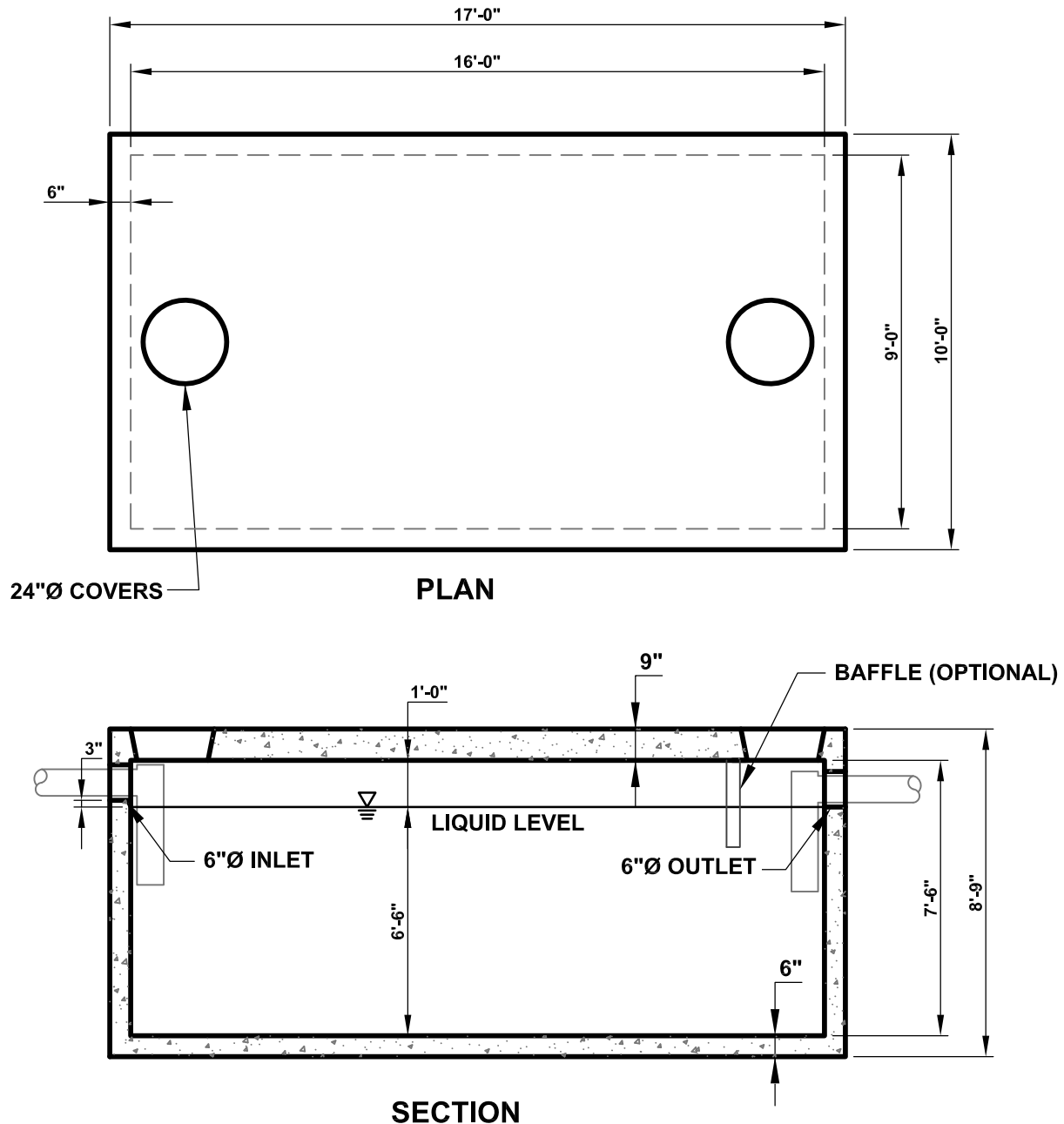
150 HIGGINSON AVENUE - LINCOLN, RI 02865 - Phone (401) 723-7100 - Fax (401) 723-6866

NPCA
CERTIFIED PLANT

DURASTONE

150 HIGGINSON AVENUE - LINCOLN, RI 02865 - Phone (401) 723-7100 - Fax (401) 723-6866

7,000 GALLON GREASE TRAP

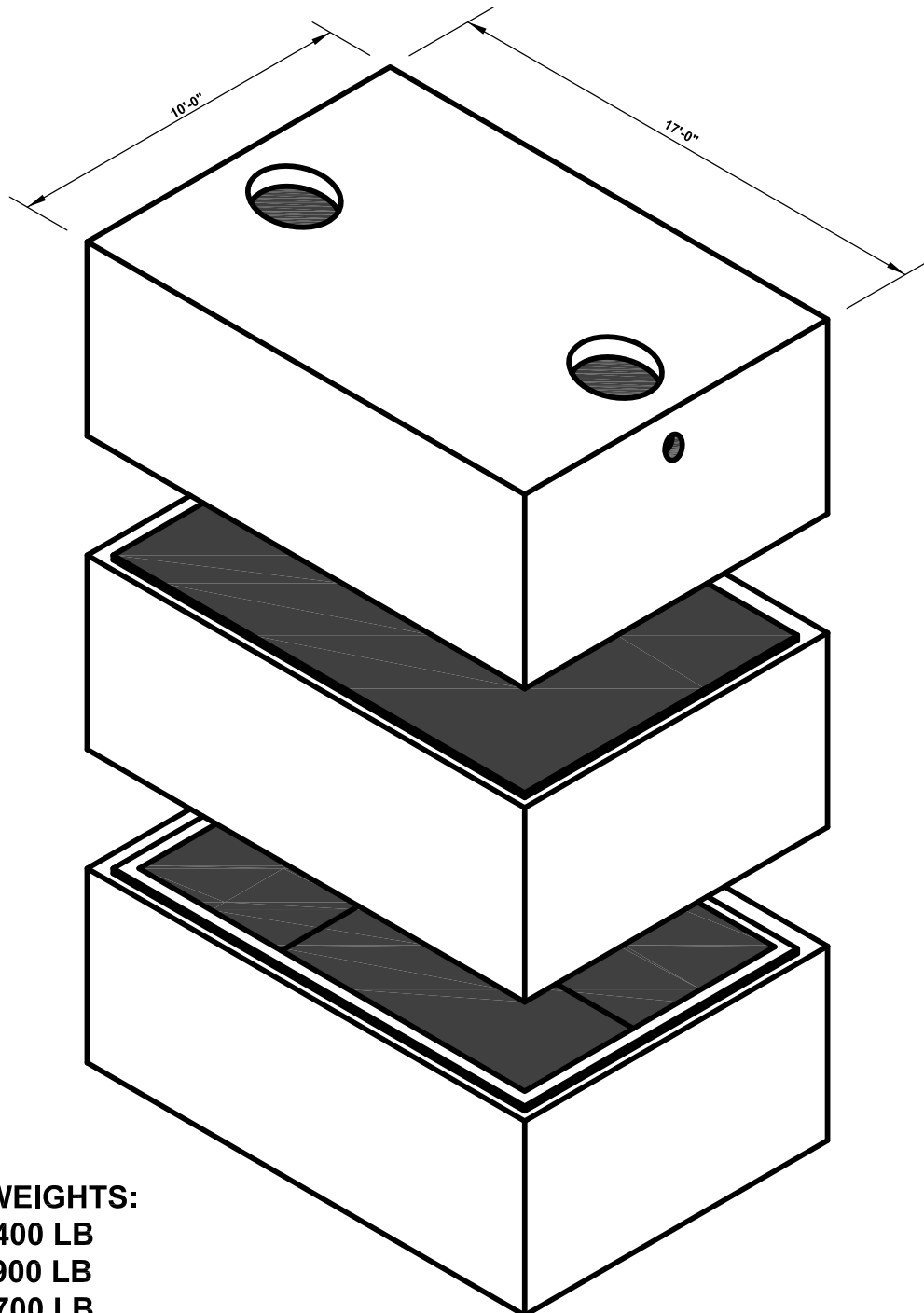


STANDARD SPECIFICATIONS

1. MINIMUM CONCRETE COMPRESSIVE STRENGTH: $F'_c = 5,000$ PSI
2. REINFORCEMENT: ASTM A615 GRADE 60, MINIMUM 1" COVER
3. DESIGN & DETAILING CODE: ACI318 (UNLESS OTHERWISE SPECIFIED)
4. AASHTO HS20 LIVE LOAD
5. JOINT SEALANT: 1" BUTYL RUBBER
6. APPURTENANCES: FURNISHED & INSTALLED BY OTHERS

DURASTONE

8,000 GALLON GREASE TRAP **INTERIOR DIMENSIONS 16'x9'x8'-5"**



APPROX. WEIGHTS:

TOP: 29,400 LB

RISER: 10,900 LB

BASE: 23,700 LB

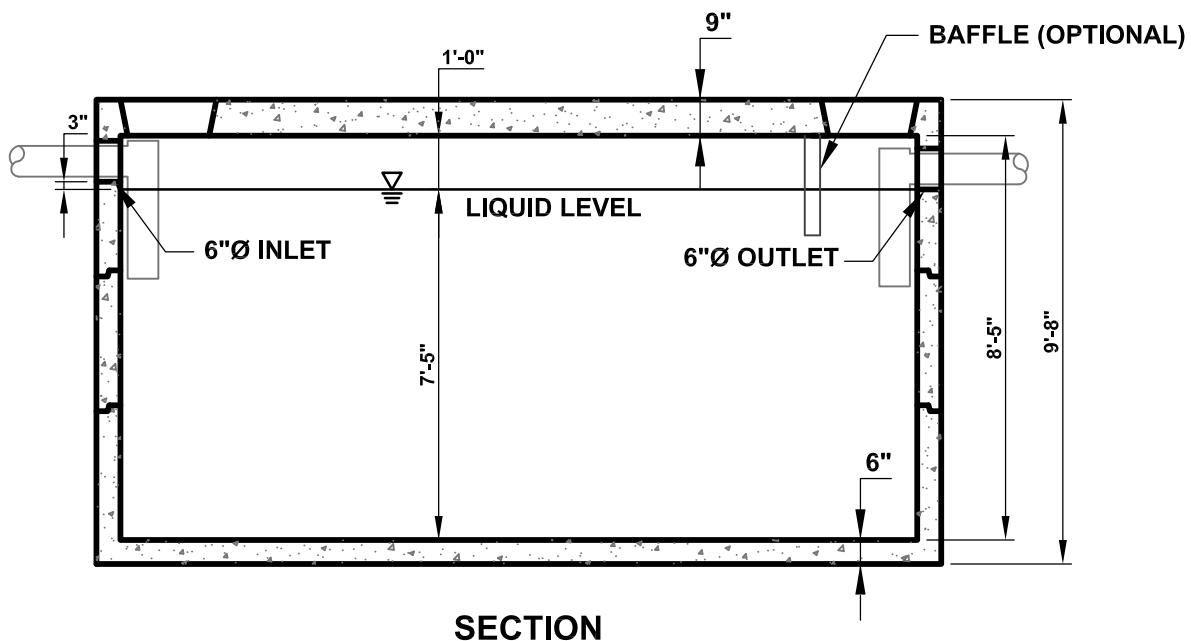
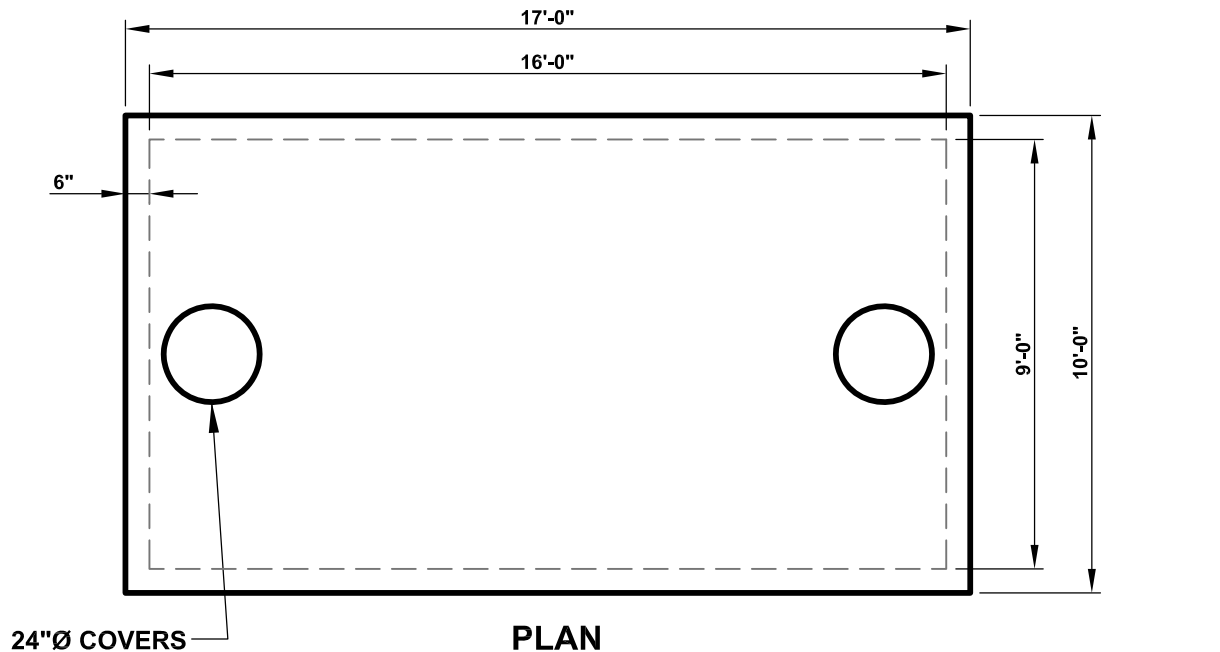
150 HIGGINSON AVENUE - LINCOLN, RI 02865 - Phone (401) 723-7100 - Fax (401) 723-6866

NPCA
CERTIFIED PLANT

DURASTONE

150 HIGGINSON AVENUE - LINCOLN, RI 02865 - Phone (401) 723-7100 - Fax (401) 723-6866

8,000 GALLON GREASE TRAP

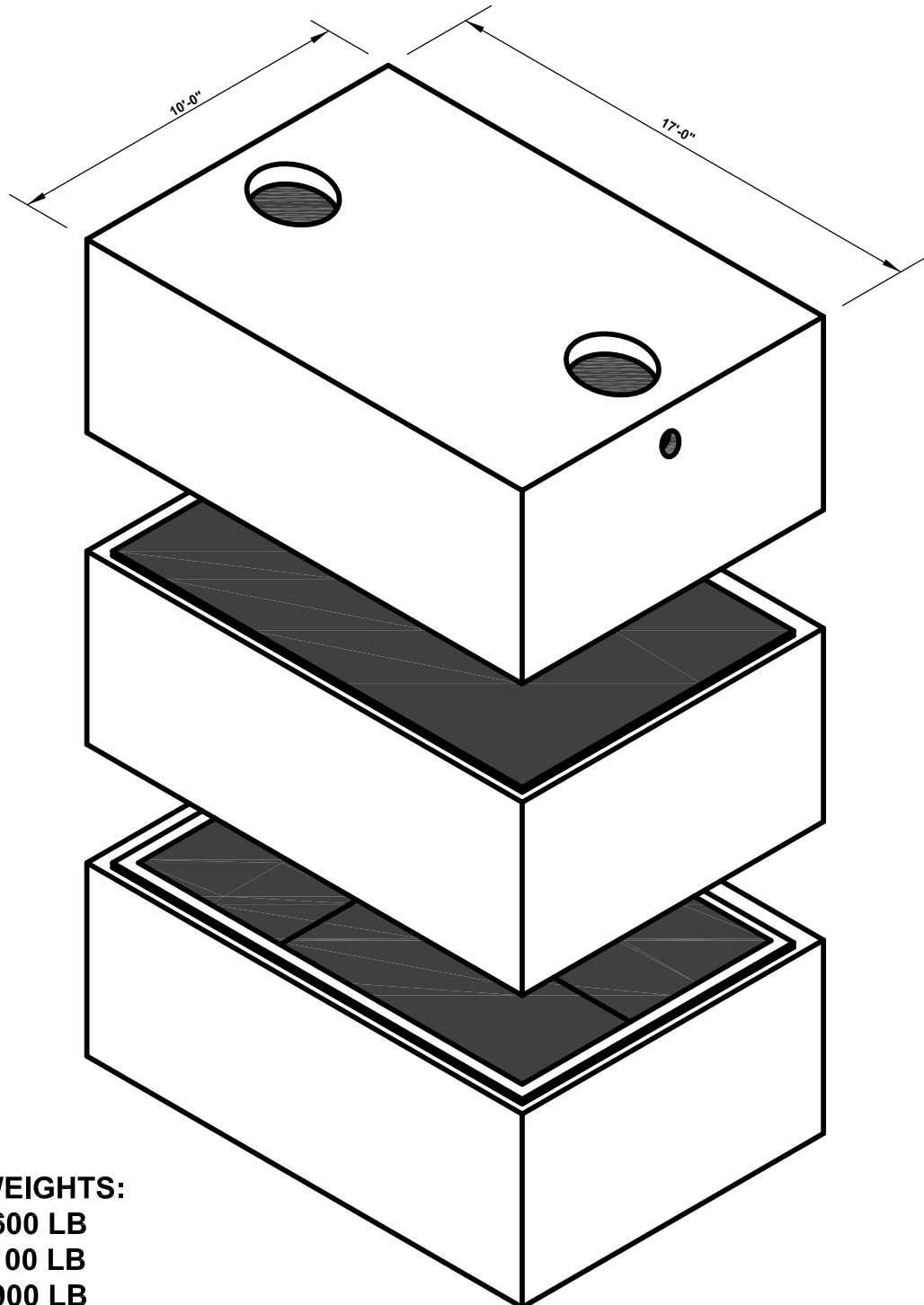


STANDARD SPECIFICATIONS

1. MINIMUM CONCRETE COMPRESSIVE STRENGTH: $F'_c = 5,000$ PSI
2. REINFORCEMENT: ASTM A615 GRADE 60, MINIMUM 1" COVER
3. DESIGN & DETAILING CODE: ACI318 (UNLESS OTHERWISE SPECIFIED)
4. AASHTO HL93 LIVE LOAD
5. JOINT SEALANT: 1" BUTYL RUBBER
6. APPURTENANCES: FURNISHED & INSTALLED BY OTHERS

DURASTONE

9,000 GALLON GREASE TRAP INTERIOR DIMENSIONS 16'x9'x9'-4"



APPROX. WEIGHTS:

TOP: 30,600 LB

RISER: 12,100 LB

BASE: 24,900 LB

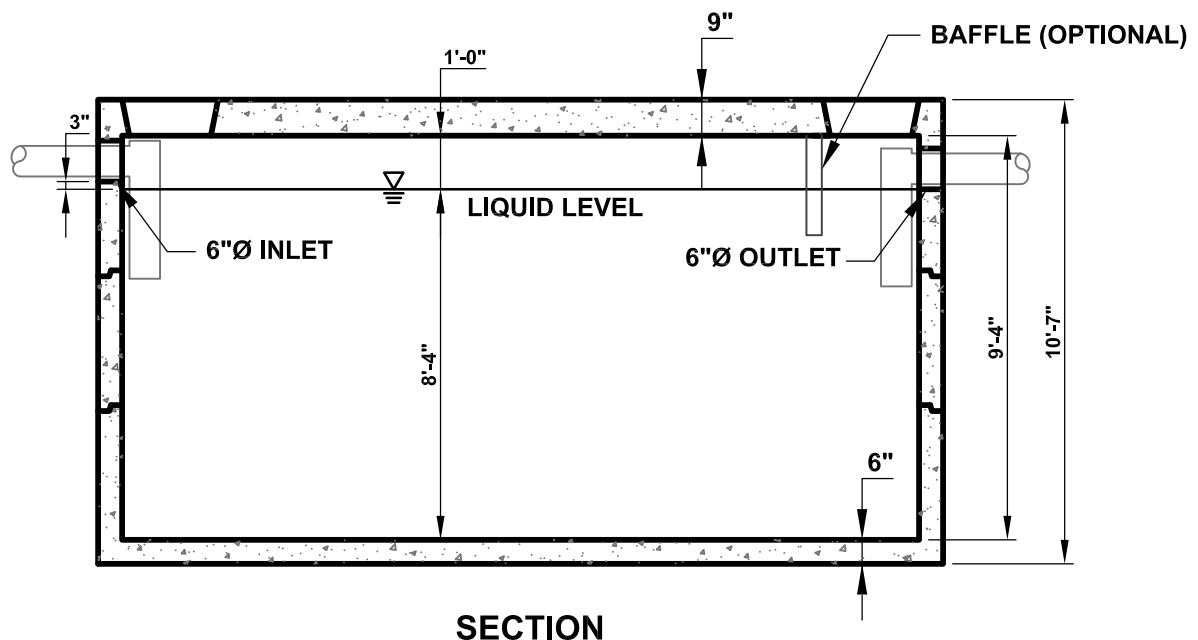
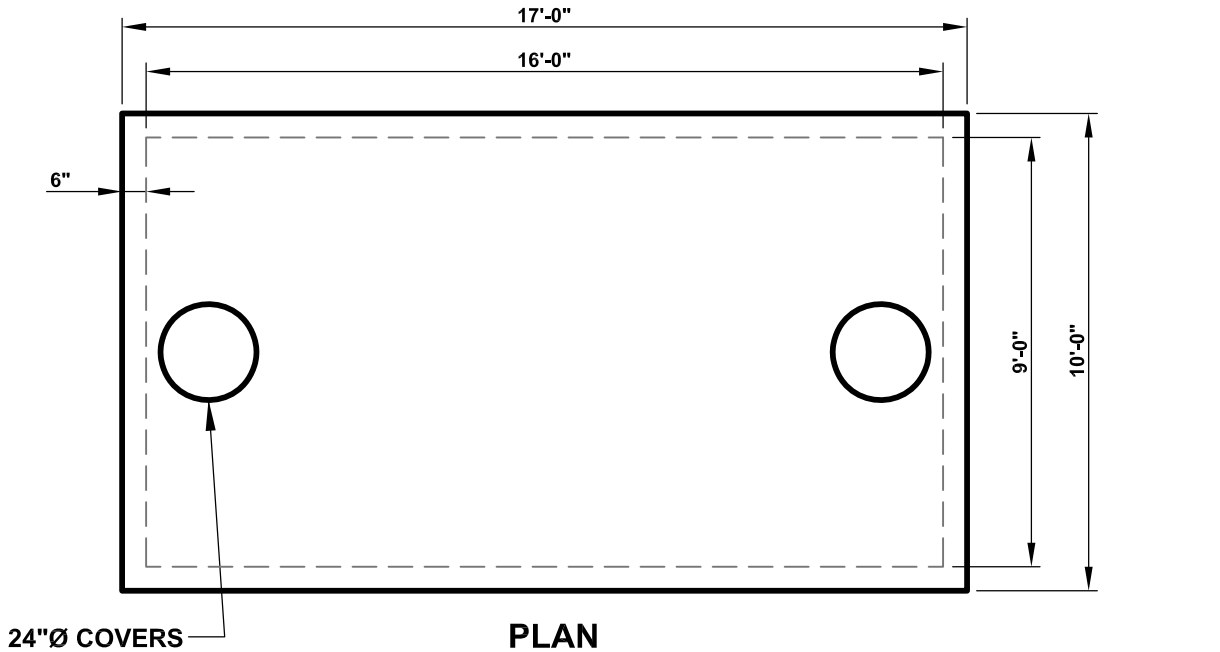
150 HIGGINSON AVENUE - LINCOLN, RI 02865 - Phone (401) 723-7100 - Fax (401) 723-6866

NPCA
CERTIFIED PLANT

DURASTONE

150 HIGGINSON AVENUE - LINCOLN, RI 02865 - Phone (401) 723-7100 - Fax (401) 723-6866

9,000 GALLON GREASE TRAP

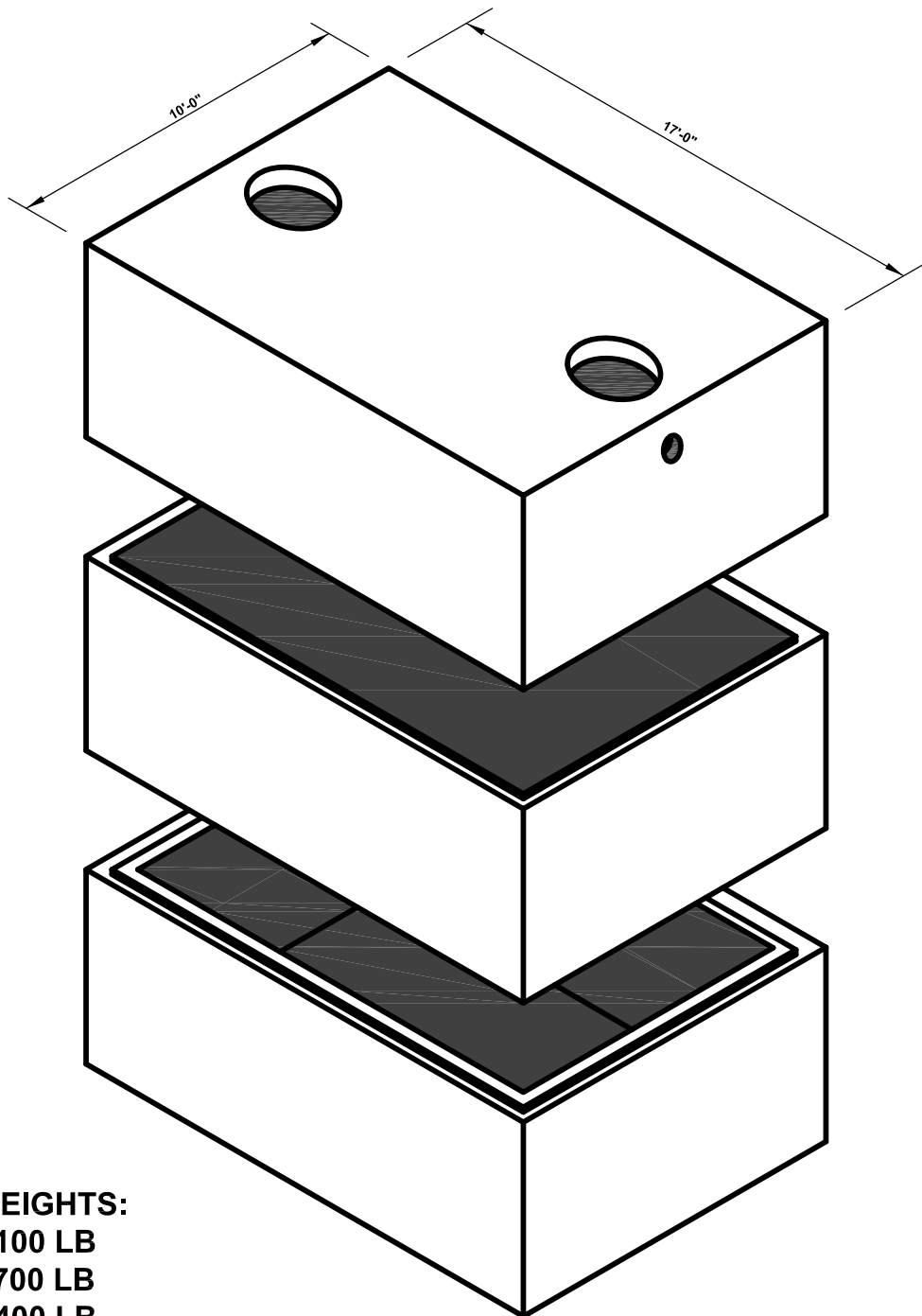


STANDARD SPECIFICATIONS

1. MINIMUM CONCRETE COMPRESSIVE STRENGTH: $F'_c = 5,000$ PSI
2. REINFORCEMENT: ASTM A615 GRADE 60, MINIMUM 1" COVER
3. DESIGN & DETAILING CODE: ACI318 (UNLESS OTHERWISE SPECIFIED)
4. AASHTO HL93 LIVE LOAD
5. JOINT SEALANT: 1" BUTYL RUBBER
6. APPURTENANCES: FURNISHED & INSTALLED BY OTHERS

DURASTONE

10,000 GALLON GREASE TRAP **INTERIOR DIMENSIONS 16'x9'x10'-6"**



APPROX. WEIGHTS:
TOP: 32,100 LB
RISER: 13,700 LB
BASE: 26,400 LB

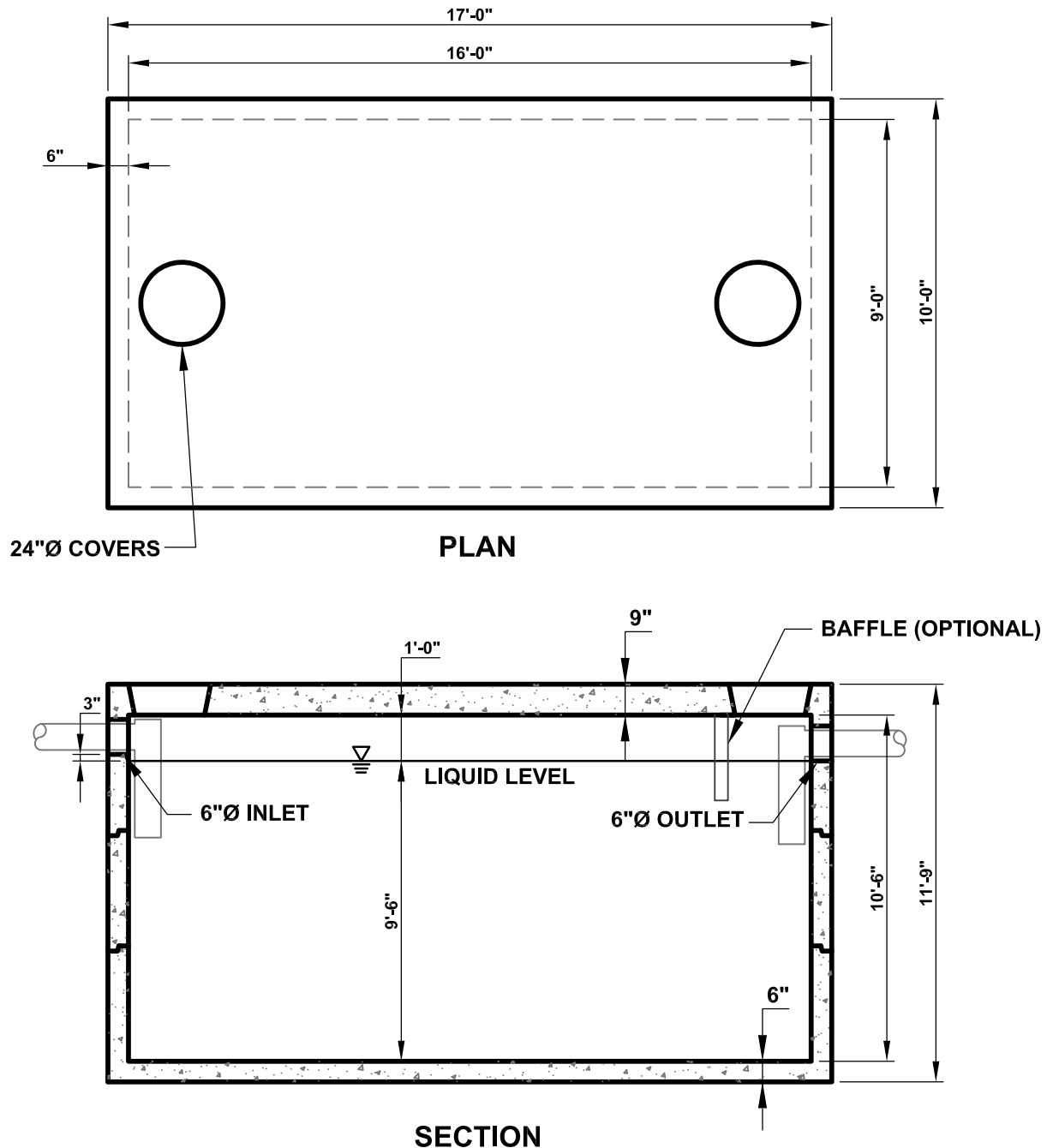
150 HIGGINSON AVENUE - LINCOLN, RI 02865 - Phone (401) 723-7100 - Fax (401) 723-6866

NPCA
CERTIFIED PLANT

DURASTONE

150 HIGGINSON AVENUE - LINCOLN, RI 02865 - Phone (401) 723-7100 - Fax (401) 723-6866

10,000 GALLON GREASE TRAP



STANDARD SPECIFICATIONS

1. MINIMUM CONCRETE COMPRESSIVE STRENGTH: $F'_c = 5,000$ PSI
2. REINFORCEMENT: ASTM A615 GRADE 60, MINIMUM 1" COVER
3. DESIGN & DETAILING CODE: ACI318 (UNLESS OTHERWISE SPECIFIED)
4. AASHTO HL93 LIVE LOAD
5. JOINT SEALANT: 1" BUTYL RUBBER
6. APPURTENANCES: FURNISHED & INSTALLED BY OTHERS